

SINK SPECIFICATIONS

BLANCO STEELART®

BLANCO PRECISION™ 16" SMALL SINGLE BOWL (Horizontal Orientation) Undermount

Model 516210

BLANCO

FEATURED MODEL

516210 10" bowl depth

FEATURES

- 304 Series Stainless Steel
- 18 Gauge Stainless Steel
- 18/10 Chrome-Nickel Content
- Satin Polished Finish
- Stylish drain grooves for improved functionality
- Limited lifetime warranty

CODE/STANDARDS COMPLIANCE

ASME 112.19.3-00

IAPMO/UPC listed

OPTIONAL ACCESSORIES

Glass Cutting Board 224390

Colander 224387

Stainless Steel Sink Grid 516271

WARRANTY

BLANCO'S STEELART sinks feature a LIMITED LIFETIME WARRANTY to be free of all manufacturing defects under normal use. See our complete warranty for details.

While BLANCO endeavors to provide accurate information, all dimensions are nominal, cannot be guaranteed, and are subject to change or cancellation. BLANCO assumes no responsibility for use of superseded or voided specifications.

PRODUCT SPECIFICATION

Undermount sink to be 22" in length and 18" in front-to-back depth. Sink to be handcrafted from a single panel of 18 gauge, 304 series stainless steel, with 18/10 chrome/nickel content and satin polished finish. Sink to feature zero radius corners and rear drain placement. Sink to be BLANCO Model 516210, with bowl depth of 10".

JOB INFORMATION

Job Name: _____

Contact: _____

Date Specified: _____

Specifier: _____

Contractor: _____

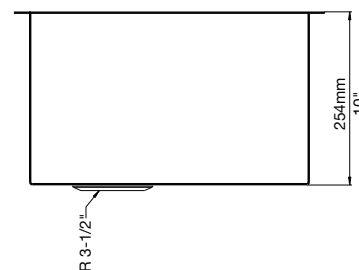
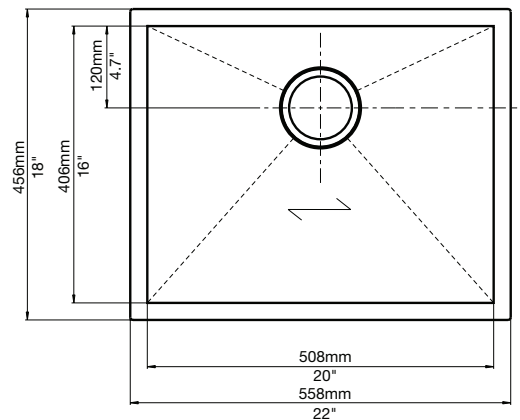


MODEL 516210

NOMINAL DIMENSIONS

OVERALL	CUTOUT SIZE	BOWL DEPTH	DRAIN FITTING
22 x 18	Template provided with approximate 1/8" reveal	10	3-1/2

DXF cutout templates available on our web site.



BLANCO
800.451.5782
www.blancoamerica.com

© 2009 BLANCO
09/09

SPEC-003