

**FEATURED MODEL**

**515-822 10" bowl depth**

**FEATURES**

- 18 gauge, 304 series stainless steel
- 18/10 chrome/nickel content
- Handcrafted from a single panel of stainless steel
- 10mm radius corners
- Elegant and functional drain grooves
- Long-lasting, easy-to-clean, satin polished finish
- Sound-deadening insulation
- Rear drain placement or bacteria
- New design allows for easy installation in standard 25" countertop
- Fits in 27" cabinet

**CODE/STANDARDS COMPLIANCE**

ASME 112.19.3-00  
 IAPMO/UPC listed

**OPTIONAL ACCESSORY**

Sink Grid: 223-191

**WARRANTY**

Blanco America's BLANCOPRECISION™ 10 sinks feature a LIMITED LIFETIME WARRANTY to be free of all manufacturing defects under normal use. See our complete warranty for details.

While Blanco America endeavors to provide accurate information, all dimensions are nominal, cannot be guaranteed, and are subject to change or cancellation. Blanco America assumes no responsibility for use of superseded or voided specifications.

**PRODUCT SPECIFICATION**

Undermount sink to be 25" in length and 18" in front-to-back depth. Sink to be handcrafted from a single panel of 18 gauge, 304 series stainless steel, with 18/10 chrome/nickel content and satin polished finish. Sink to feature 10mm radius corners and rear drain placement. Sink to be Blanco Model 515-822, with bowl depth of 10".

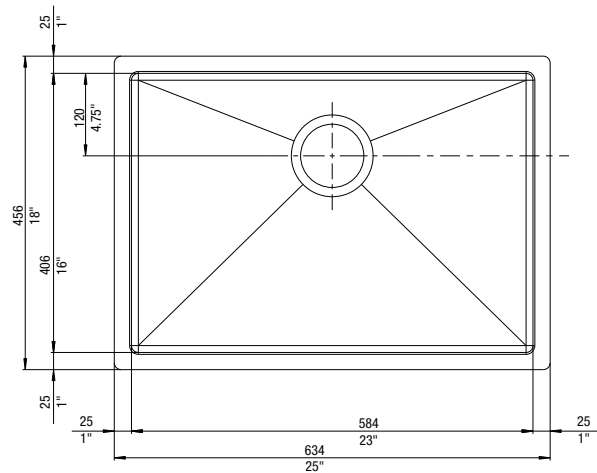


MODEL 515-822

**NOMINAL DIMENSIONS**

MODEL	OVERALL	BOWL DEPTH	DRAIN DIAMETER
515-822	25 x 18	10	3-1/2

DXF cutout templates available on our web site.



**JOB INFORMATION**

Job Name: \_\_\_\_\_  
 Contact: \_\_\_\_\_  
 Date Specified: \_\_\_\_\_  
 Specifier: \_\_\_\_\_  
 Contractor: \_\_\_\_\_