

#### FEATURED MODEL

513-634 Large Reverse, 7" & 10" bowl depths

#### ADDITIONAL MODELS

513-633 Large, 10" & 7" bowl depths

513-655 Small, 9" & 7" bowl depths

#### FEATURES

- 18 gauge, 304 series stainless steel
- 18/10 chrome/nickel content
- Long-lasting, easy-to-clean, satin polished finish
- Sound deadening insulation
- Rear drain placement

#### CODE/STANDARDS COMPLIANCE

ASME 112.19.3-00

IAPMO/UPC listed

#### OPTIONAL ACCESSORIES

Sink Grids: 220-575, 220-581

Cutting Board: 513-140

Colander: 514-015

#### WARRANTY

Blanco America's BLANCOPERFORMA sinks feature a "NO HASSLE" LIMITED LIFETIME WARRANTY to be free of all manufacturing defects under normal use. See our complete warranty for details.

While Blanco America endeavors to provide accurate information, all dimensions are nominal, cannot be guaranteed, and are subject to change or cancellation. Blanco America assumes no responsibility for use of superseded or voided specifications.

#### PRODUCT SPECIFICATION

Undermount large reverse sink to be 1-1/2 bowl design, 31-5/8" in length and 20-1/2" in front-to-back depth. Sink to be made from 18 gauge, 304 series stainless steel, with 18/10 chrome/nickel content and long-lasting, easy-to-clean, satin polished finish. Sink to feature rear drain placement. Sink to be Blanco Model 513-634, with left bowl depth of 7" and right bowl depth of 10".

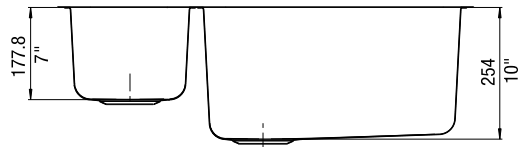
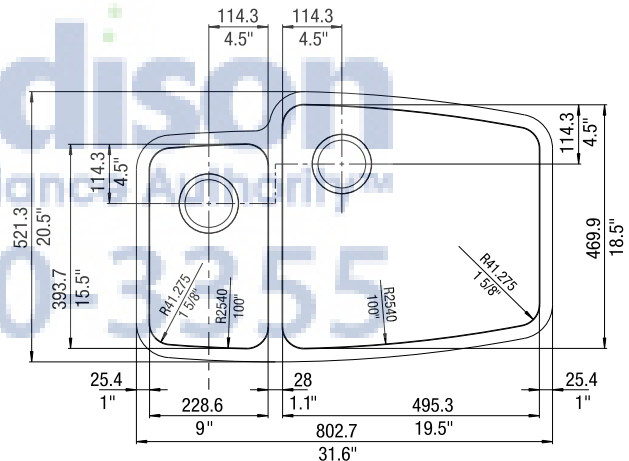


MODEL 513-634

#### NOMINAL DIMENSIONS

MODEL	OVERALL	CUTOUT SIZE	BOWL DEPTH		DRAIN DIAMETER
			LEFT	RIGHT	
513-634	31-5/8 x 20-1/2	Template provided with approximate 1/8" reveal	7	10	3-1/2

DXF cutout templates available on our web site.



#### JOB INFORMATION

Job Name: \_\_\_\_\_

Contact: \_\_\_\_\_

Date Specified: \_\_\_\_\_

Specifier: \_\_\_\_\_

Contractor: \_\_\_\_\_