

### FEATURED MODEL

513-443 Metallic Gray, 9-1/2" & 9-1/2" bowl depths

### ADDITIONAL MODELS

513-440 Biscuit, 9-1/2" & 9-1/2" bowl depths

513-441 White, 9-1/2" & 9-1/2" bowl depths

513-442 Anthracite, 9-1/2" & 9-1/2" bowl depths

### FEATURES

- 80% rock hard granite
- Color all the way through
- Highly resistant to scratching, staining and all household acids and alkali solutions
- Non-porous, easy-to-clean
- Heat resistant to 536° F
- Extremely hygienic, does not absorb odors or bacteria

### CODE/STANDARDS COMPLIANCE

ANSI Z124.6-97

IAPMO/UPC listed

### OPTIONAL ACCESSORIES

Sink Grid: 221-038 (Formerly 513-925)

Cutting Board: 218-620

Colanders: 215-651, 513-730

### WARRANTY

Blanco America's SILGRANIT® Series sinks feature a "NO HASSLE" LIMITED LIFETIME WARRANTY to be free of all manufacturing defects under normal use. See our complete warranty for details.

While Blanco America endeavors to provide accurate information, all dimensions are nominal, cannot be guaranteed, and are subject to change or cancellation. Blanco America assumes no responsibility for use of superseded or voided specifications.

### PRODUCT SPECIFICATION

Undermount sink to be equal double bowl design, 37" in length and 20" in front-to-back depth. Sink to be made from Silgranit® hard composite material. Sink to feature rear drain placement and straight bowl sides with 5/8" cutout corner radius. Sink to be Blanco (Check one)

Model 513-440       Model 513-441

Model 513-442       Model 513-443

with left bowl depth of 9-1/2" and right bowl depth of 9-1/2".

White 513-441

Biscuit 513-440

Anthracite 513-442

Metallic Gray 513-443

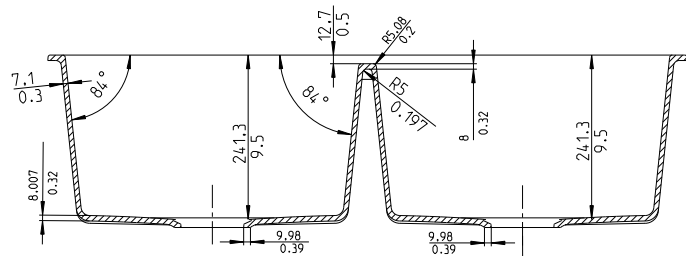
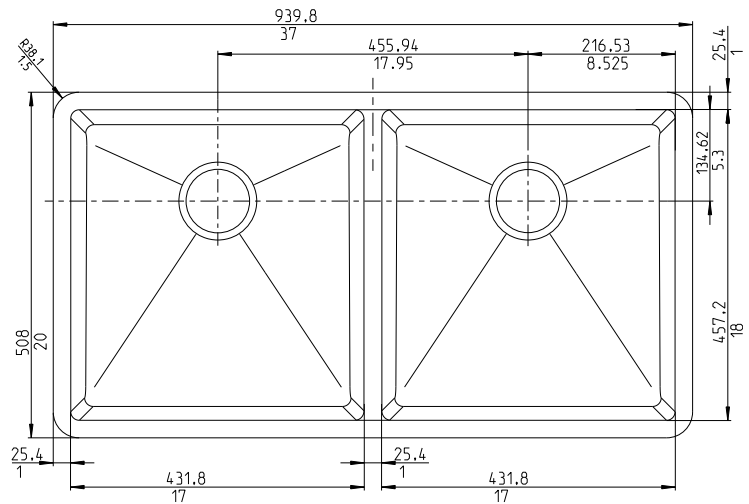


MODEL 513-443 Shown

### NOMINAL DIMENSIONS

OVERALL	CUTOUT SIZE	BOWL DEPTH		DRAIN DIAMETER	
		LEFT	RIGHT	LEFT	RIGHT
37 x 20	Template provided with approximate 1/8" reveal	9-1/2	9-1/2	3-1/2	3-1/2

DXF cutout templates available on our web site.



### JOB INFORMATION

Job Name: \_\_\_\_\_

Contact: \_\_\_\_\_

Date Specified: \_\_\_\_\_

Specifier: \_\_\_\_\_

Contractor: \_\_\_\_\_