

FEATURED MODEL

511-739 5-1/8" & 7" bowl depths

FEATURES

- 18 gauge, 304 series stainless steel
- Sliding safety glass cutting board and multifunctional colander included
- 18/10 chrome/nickel content
- Long-lasting, easy-to-clean, satin polished finish
- Rear drain placement

CODE/STANDARDS COMPLIANCE

ASME 112.19.3-00
 IAPMO/UPC listed

WARRANTY

Blanco America's Pinnacle Series sinks feature a "NO HASSLE" LIMITED LIFETIME WARRANTY to be free of all manufacturing defects under normal use. See our complete warranty for details.

While Blanco America endeavors to provide accurate information, all dimensions are nominal, cannot be guaranteed, and are subject to change or cancellation. Blanco America assumes no responsibility for use of superseded or voided specifications.

PRODUCT SPECIFICATION

Drop-in sink to be 39-3/8" in length and 20-1/16" in front-to-back depth. Sink to be made from 18 gauge, 304 series stainless steel, with 18/10 chrome/nickel content and satin polished finish. Sink to feature rear drain placement and straight bowl sides with 5/8" cutout corner radius. Sink to be Blanco Model 511-739, with left bowl depth of 5-1/8" and right bowl depth of 7".

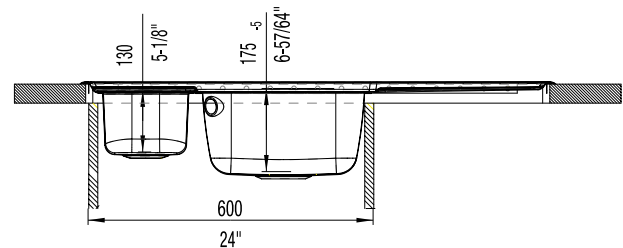
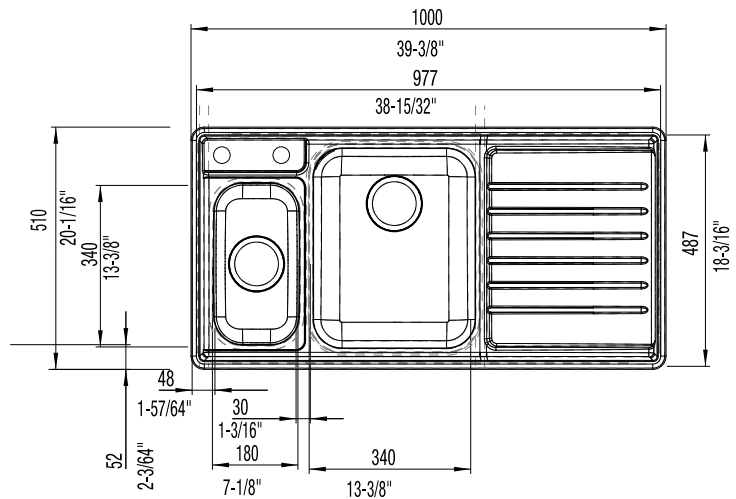


MODEL 511-739

NOMINAL DIMENSIONS

MODEL	OVERALL	BOWL DEPTH		DRAIN DIAMETER
		LEFT	RIGHT	
511-739	39-3/8 x 20-1/16	5-1/8	7	3-1/2

DXF cutout templates available on our web site or this specification CD.



JOB INFORMATION

Job Name: _____

Contact: _____

Date Specified: _____

Specifier: _____

Contractor: _____

KNOCKOUT HOLE LOCATIONS
 Pre-drilled for single-hole faucet
 and remote drain operation.
 No additional holes available.

BLANCO AMERICA
 800.451.5782
www.blancoamerica.com