

FEATURED MODEL

511-712 Anthracite, 10" bowl depth

ADDITIONAL MODELS

- 511-710 Biscuit, 10" bowl depth
- 511-711 White, 10" bowl depth
- 511-713 Metallic Gray, 10" bowl depth

FEATURES

- True undermount installation
- 80% rock hard granite
- Color all the way through
- Highly resistant to scratching, staining and all household acids and alkali solutions
- Non-porous, easy-to-clean
- Heat resistant to 536° F
- Extremely hygienic, does not absorb odors or bacteria

CODE/STANDARDS COMPLIANCE

ANSI Z124.6-97
IAPMO/UPC listed

OPTIONAL ACCESSORIES

- Sink Grid: 511-932
- Colander: 215-651

WARRANTY

Blanco America's SILGRANIT® Series sinks feature a "NO HASSLE" LIMITED LIFETIME WARRANTY to be free of all manufacturing defects under normal use. See our complete warranty for details.

While Blanco America endeavors to provide accurate information, all dimensions are nominal, cannot be guaranteed, and are subject to change or cancellation. Blanco America assumes no responsibility for use of superseded or voided specifications.

PRODUCT SPECIFICATION

True Undermount sink to be single bowl design, 24" in length and 20-13/16" in front-to-back depth. Sink to be made from Silgranit® hard composite material. Sink to feature rear drain placement and straight bowl sides with 5/8" cutout corner radius. Sink to be Blanco (Check one)

- Model 511-710 Model 511-711
 - Model 511-712 Model 511-713
- with bowl depth of 10".

- Biscuit 511-710
- White 511-711
- Anthracite 511-712
- Metallic Gray 511-713

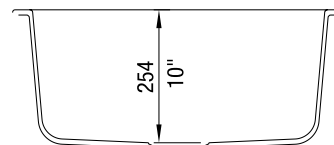
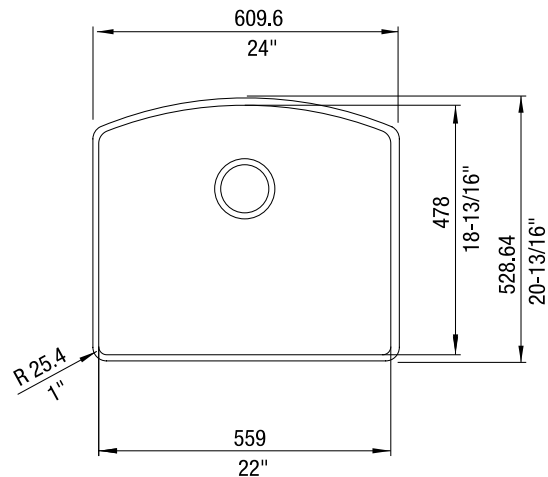


MODEL 511-712 Shown

NOMINAL DIMENSIONS

OVERALL	CUTOUT SIZE	BOWL DEPTH	DRAIN DIAMETER
24 x 20-13/16	Template provided with approximate 1/8" reveal	10	3-1/2

DXF cutout templates available on our web site or this specification CD.



JOB INFORMATION

Job Name: _____

Contact: _____

Date Specified: _____

Specifier: _____

Contractor: _____