

FEATURED MODEL

511-703 Metallic Gray, 9-1/2" & 9-1/2" bowl depths

ADDITIONAL MODELS

511-700 Biscuit, 9-1/2" & 9-1/2" bowl depths

511-701 White, 9-1/2" & 9-1/2" bowl depths

511-702 Anthracite, 9-1/2" & 9-1/2" bowl depths

FEATURES

- True undermount installation
- 80% rock hard granite
- Color all the way through
- Highly resistant to scratching, staining and all household acids and alkali solutions
- Non-porous, easy-to-clean
- Heat resistant to 536° F
- Extremely hygienic, does not absorb odors or bacteria

CODE/STANDARDS COMPLIANCE

ANSI Z124.6-97
IAPMO/UPC listed

OPTIONAL ACCESSORIES

Sink Grids: 511-933L, 511-933R
Colander: 215-651

WARRANTY

Blanco America's SILGRANIT® Series sinks feature a "NO HASSLE" LIMITED LIFETIME WARRANTY to be free of all manufacturing defects under normal use. See our complete warranty for details.

While Blanco America endeavors to provide accurate information, all dimensions are nominal, cannot be guaranteed, and are subject to change or cancellation. Blanco America assumes no responsibility for use of superseded or voided specifications.

PRODUCT SPECIFICATION

Undermount sink to be equal double bowl design, 32" in length and 19-1/4" in front-to-back depth. Sink to be made from Silgranit® hard composite material. Sink to feature rear drain placement and straight bowl sides with 5/8" cutout corner radius. Sink to be Blanco (Check one)

- Model 511-700 Model 511-701
 Model 511-702 Model 511-703

with left bowl depth of 9-1/2" and right bowl depth of 9-1/2".

- Biscuit 511-700
- White 511-701
- Anthracite 511-702
- Metallic Gray 511-703

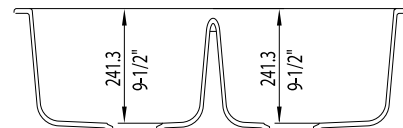
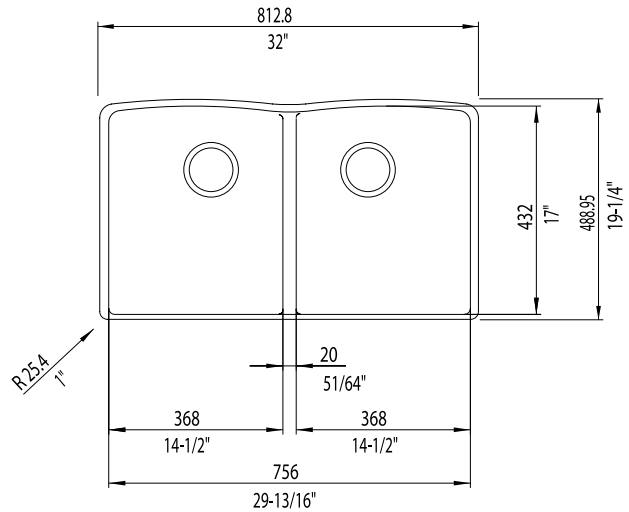


MODEL 511-703 Shown

NOMINAL DIMENSIONS

OVERALL	CUTOUT SIZE	BOWL DEPTH		DRAIN DIAMETER
		LEFT	RIGHT	
32 x 19-1/4	Template provided with approximate 1/8" reveal	9-1/2	9-1/2	3-1/2

DXF cutout templates available on our web site or this specification CD.



JOB INFORMATION

Job Name: _____

Contact: _____

Date Specified: _____

Specifier: _____

Contractor: _____