

### FEATURED MODEL

511-661 White, 8" & 6" bowl depths

### ADDITIONAL MODELS

- 511-660 Biscuit, 8" & 6" bowl depths
- 511-662 Anthracite, 8" & 6" bowl depths
- 511-663 Metallic Gray, 8" & 6" bowl depths

### FEATURES

- Flat sink deck allows for both drop-in and undermount installation
- 80% rock hard granite
- Color all the way through
- Highly resistant to scratching, staining and all household acids and alkali solutions
- Non-porous, easy-to-clean
- Heat resistant to 536° F
- Extremely hygienic, does not absorb odors or bacteria

### CODE/STANDARDS COMPLIANCE

ANSI Z124.6-97  
IAPMO/UPC listed

### OPTIONAL ACCESSORIES

- Sink Grid: 511-936
- Cutting Boards: 511-137
- Deluxe Strainers: 950-224, 950-225

### WARRANTY

Blanco America's SILGRANIT® Series sinks feature a "NO HASSLE" LIMITED LIFETIME WARRANTY to be free of all manufacturing defects under normal use. See our complete warranty for details.

While Blanco America endeavors to provide accurate information, all dimensions are nominal, cannot be guaranteed, and are subject to change or cancellation. Blanco America assumes no responsibility for use of superseded or voided specifications.

### PRODUCT SPECIFICATION

Drop-In/Undermount sink to be 1-1/2 bowl design, 20-1/2" in length and 15" in front-to-back depth. Sink to be made from Silgranit® hard composite material. Sink to feature straight bowl sides with 5/8" cutout corner radius. Sink to be Blanco (Check one)

- Model 511-660       Model 511-661
- Model 511-662       Model 511-663

with left bowl depth of 8" and right bowl depth of 6".

- White 511-661
- Biscuit 511-660
- Anthracite 511-662
- Metallic Gray 511-663

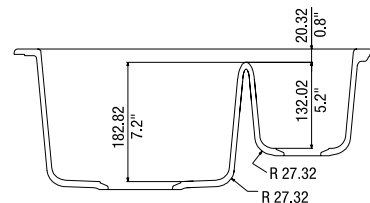
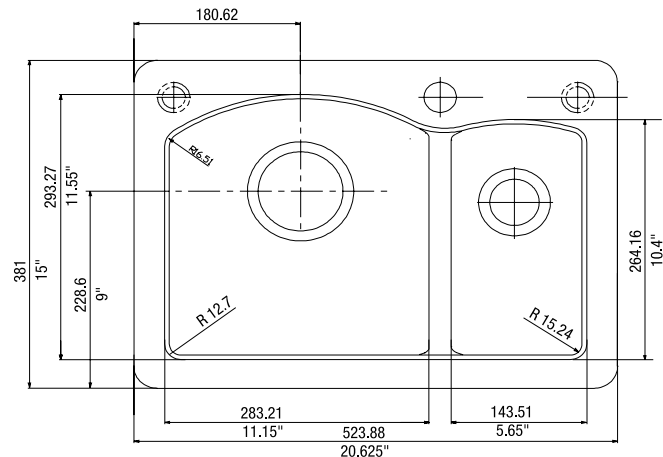


MODEL 511-661 Shown

### NOMINAL DIMENSIONS

OVERALL	CUTOUT SIZE	BOWL DEPTH		DRAIN DIAMETER	
		LEFT	RIGHT	LEFT	RIGHT
20-1/2 x 15	19-3/4 x 14-1/4	8	6	3-1/2	2

DXF cutout templates (Undermount and Drop-In versions) available on our web site or this specification CD.



### JOB INFORMATION

Job Name: \_\_\_\_\_

Contact: \_\_\_\_\_

Date Specified: \_\_\_\_\_

Specifier: \_\_\_\_\_

Contractor: \_\_\_\_\_