

FEATURED MODEL

501-118-12 12" bowl depth

ADDITIONAL MODELS

501-118-8 8" bowl depth

501-118-10 10-1/2" bowl depth

FEATURES

- 18 gauge, 304 series stainless steel
- 18/8 chrome/nickel content
- Long-lasting, easy-to-clean, satin finish
- 4 diagonal drain grooves channel water directly to center drain
- Straight bowl sides with 1-1/2" cutout corner radius

OPTIONAL ACCESSORIES

Sink Grid: 501-913

Colander: 215-651

WARRANTY

Blanco America's BLANCOMAGNUM Series sinks feature a 15-year "NO HASSLE" LIMITED WARRANTY to be free of all manufacturing defects under normal use. See our complete warranty for details.

While Blanco America endeavors to provide accurate information, all dimensions are nominal, cannot be guaranteed, and are subject to change or cancellation. Blanco America assumes no responsibility for use of superseded or voided specifications.

PRODUCT SPECIFICATION

Drop-In sink to be specialty single bowl design, 33" in length and 22" in front-to-back depth. Sink to be made from 18 gauge, 304 series stainless steel, with 18/8 chrome/nickel content and satin finish. Sink to feature center drain placement, 4 diagonal drain grooves and straight bowl sides with 1-1/2" cutout corner radius. Sink to be Blanco Model 501-118-12, with bowl depth of 12". Additional knockout hole locations: _____

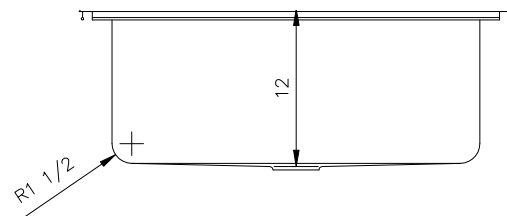
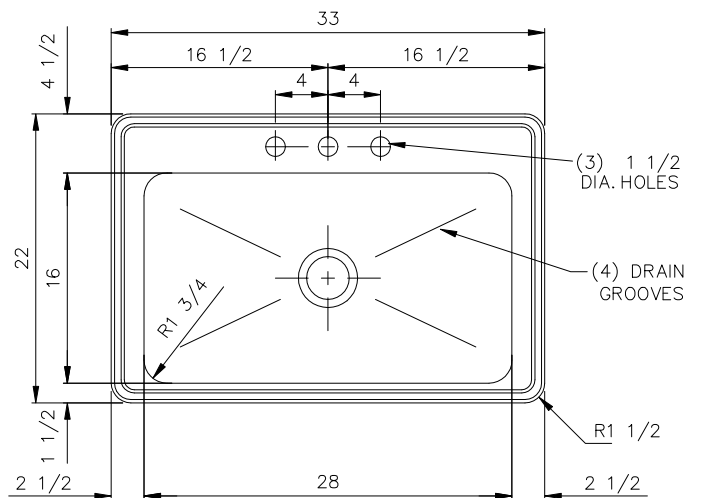


MODEL 501-118-12

NOMINAL DIMENSIONS

MODEL	OVERALL	CUTOUT SIZE	BOWL DEPTH	DRAIN DIAMETER
501-118-12	33 x 22	32-1/4 x 21-1/4	12	3-1/2

DXF cutout templates available on our web site or this specification CD.



JOB INFORMATION

Job Name: _____

Contact: _____

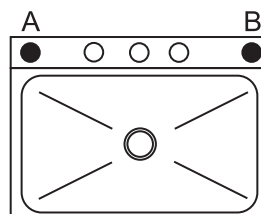
Date Specified: _____

Specifier: _____

Contractor: _____

KNOCKOUT HOLE LOCATIONS

Pre-drilled for three faucet holes.



BLANCO AMERICA
800.451.5782
www.blancoamerica.com