

## FEATURED MODEL

501-112 7-1/2", 6" & 7-1/2" bowl depths

## FEATURES

- 20 gauge, 304 series stainless steel
- 18/8 chrome/nickel content
- Long-lasting, easy-to-clean, satin finish
- Rear drain placement in two large bowls
- Straight bowl sides with 1-1/2" cutout corner radius

## OPTIONAL ACCESSORIES

Sink Grid: 501-915 (formerly 501-137)

Colander: 215-651

## WARRANTY

Blanco America's BLANCOSPEX™ Series sinks feature a 25-year "NO HASSLE" LIMITED WARRANTY to be free of all manufacturing defects under normal use. See our complete warranty for details.

While Blanco America endeavors to provide accurate information, all dimensions are nominal, cannot be guaranteed, and are subject to change or cancellation. Blanco America assumes no responsibility for use of superseded or voided specifications.

## PRODUCT SPECIFICATION

Drop-In sink to be triple bowl design, 43" in length and 22" in front-to-back depth. Sink to be made from 20 gauge, 304 series stainless steel, with 18/8 chrome/nickel content and satin finish. Sink to feature rear drain placement in two large bowls and straight bowl sides with 1-1/2" cutout corner radius. Sink to be Blanco Model 501-112, with left bowl depth of 7-1/2", center bowl depth of 6" and right bowl depth of 7-1/2".

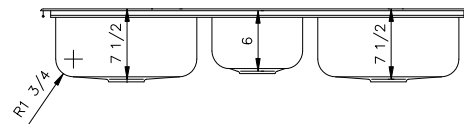
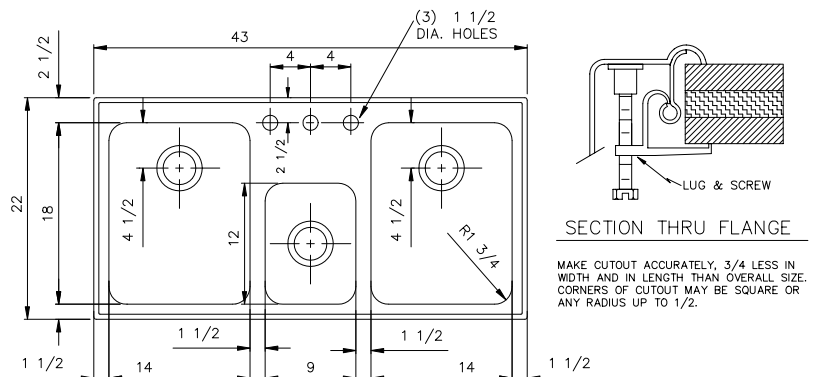


MODEL 501-112

## NOMINAL DIMENSIONS

MODEL	OVERALL	CUTOUT SIZE	BOWL DEPTH		DRAIN DIAMETER
			LEFT	RIGHT	
501-112	43 x 22	42-1/4 x 21-1/4	7-1/2	6	3-1/2

DXF cutout templates available on our web site or this specification CD.



## JOB INFORMATION

Job Name: \_\_\_\_\_

Contact: \_\_\_\_\_

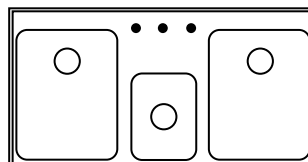
Date Specified: \_\_\_\_\_

Specifier: \_\_\_\_\_

Contractor: \_\_\_\_\_

## KNOCKOUT HOLE LOCATIONS

Pre-drilled for three faucet holes.  
 No additional holes available.



**BLANCO AMERICA**  
**800.451.5782**  
**www.blancoamerica.com**