





Buy it for looks. Buy it for life.®

# Specifications

## FAUCET DESCRIPTION

- Chrome plated metal construction
- Inlet shanks will accept 3/8" ball nose connections

## OPERATION

- Knob style handles
- Counterclockwise on/Clockwise off

## FLOW

- Aerator is limited to 2.2 gpm max (8.3 L/min)

## CARTRIDGE

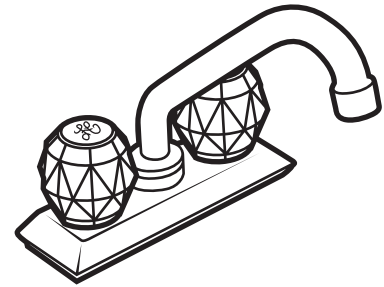
- 1224 cartridge design
- Nonmetallic stainless steel material

## STANDARDS

- Designed and manufactured to comply with the requirements of: CSA B-125 and ASME A11.18.1M and all applicable requirements referenced therein

## WARRANTY

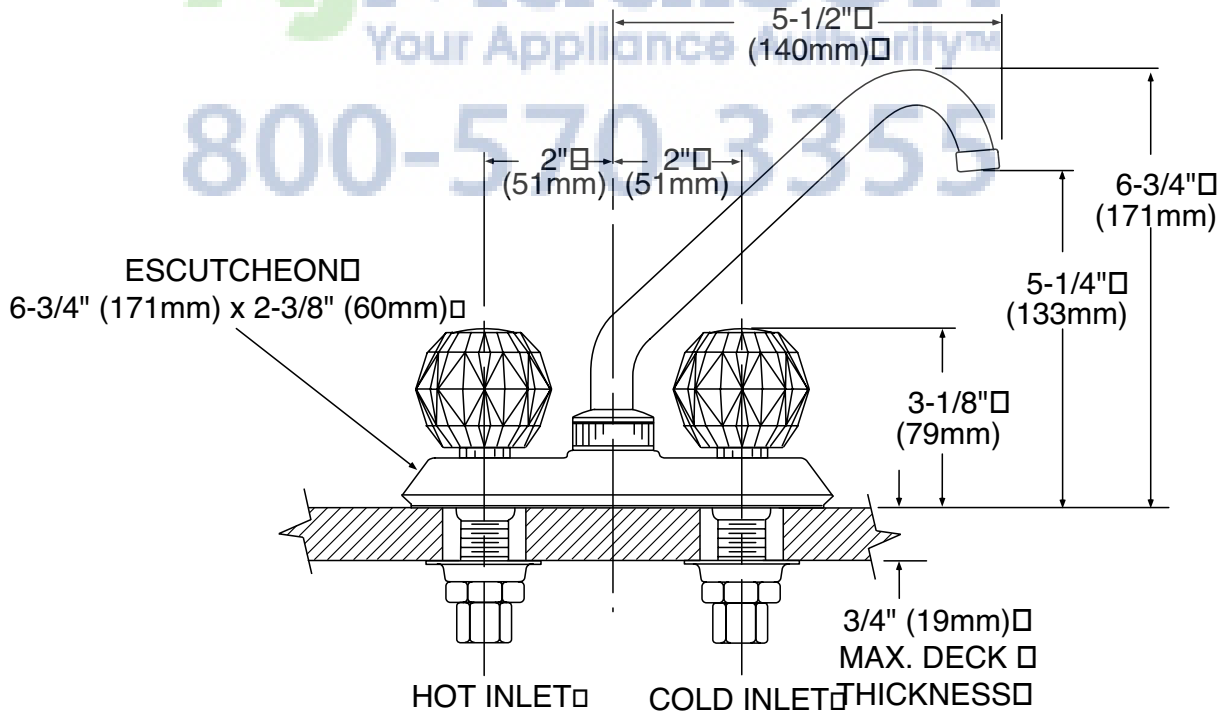
- Lifetime limited warranty against leaks, drips and finish defects to the original consumer purchaser
- 5 year warranty if used in commercial installations



**CHATEAU®**  
**Two Handle Laundry Faucet**

**Model:** 4975

**NOTE:** DESIGNED TO INSTALL  
THRU 2 HOLES 1" (25mm) MIN. DIA.  
AND 4" (102mm) ON CENTER



## CRITICAL DIMENSIONS

(DO NOT SCALE)