



48" Signature Series Wine Reserve Specification Sheet

Model Nos.

- HP48WW-B
- HP48WW-S
- HP48WO-B
- HP48WO-S



HP48WW-S-3L-3R

Features:

- Multi-zone, Multi-door undercounter refrigeration unit: Available in one or two temperature zones
- Designed with fully-integrated depth to allow flush fit with surrounding cabinetry (with 3/4" wood overlay)
- Zero-clearance hinging allows for abutment with surrounding cabinetry
- Perlick's exclusive Variable Speed Compressor
- Front-vented, forced-air refrigeration
- Industry Exclusive full-extension shelving
- Industry Exclusive stainless steel interior
- Two (2) year full warranty on complete unit – Additional four year limited warranty on the sealed refrigeration system
- Industry Exclusive Convertible Door Design allows all doors to be converted to wood overlay from stainless steel
- Low E, UV coated glass provides industry leading insulation and protection
- Doors lock available
- Interior digital display
- 12 cubic feet of capacity

48" wine reserve features:

- The HP48WW allows for two separate temperature zones – perfect for red and white wine storage – also available as one single temperature zone
- Capacity to hold up to 90 wine bottles
- Industry Exclusive full-extension pullout shelving
- Shelving positions are adjustable to suit your needs
- Available with a solid stainless door, glass door with stainless trim, glass door with wood trim or solid door with wood overlay door
- Wine Reserve temperature 40 – 65 degrees F

Luxury YOU DESIRE.
INNOVATION YOU CAN'T LIVE WITHOUT.



8300 W. Good Hope Rd. • Milwaukee, WI 53223

1-800-558-5592 • Fax: (414) 353-7069 • www.Perlick.com

Perlick is committed to continuous improvement. Therefore, we reserve the right to change specifications without warning

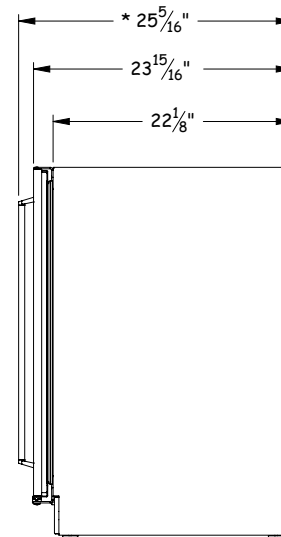
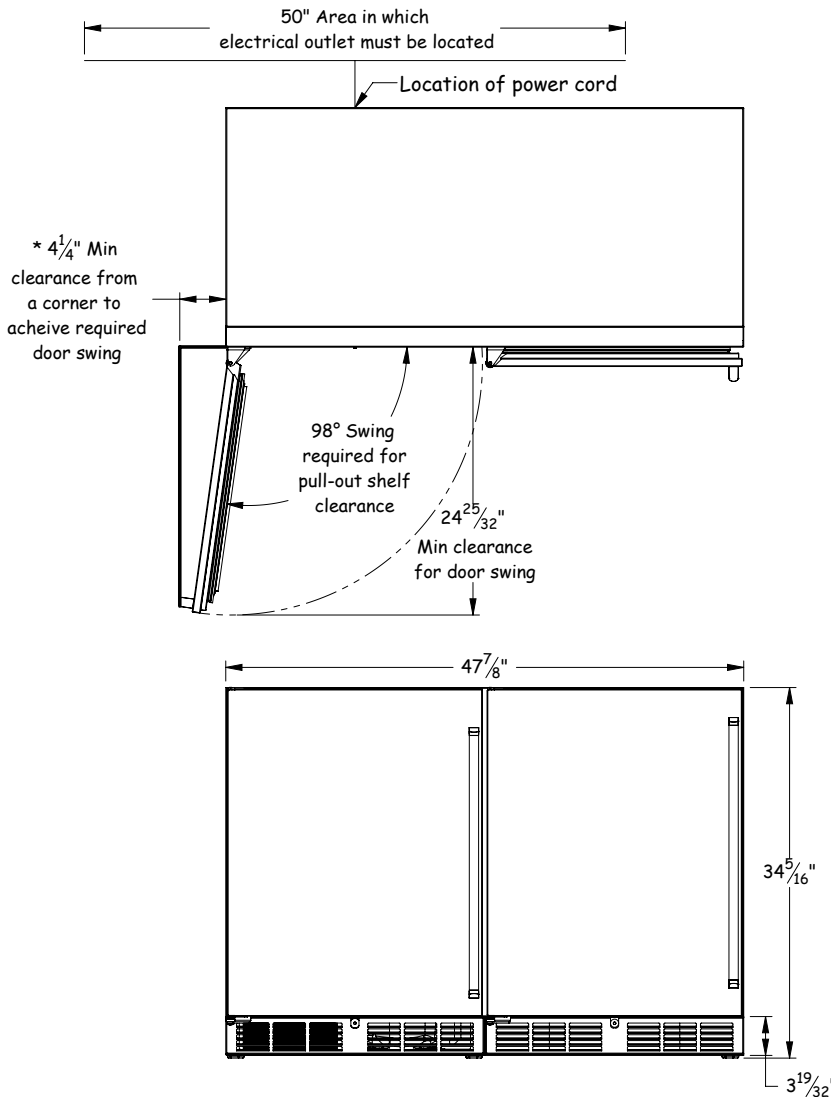
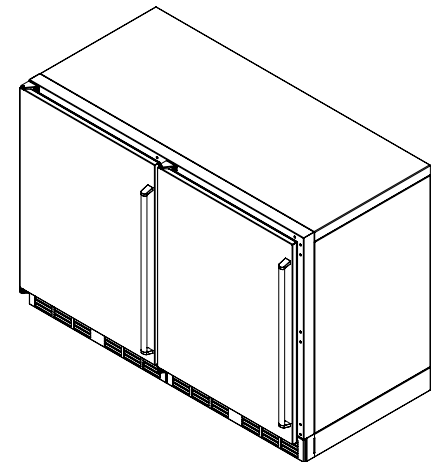
Indoor Models	Wine Reserve
HP48WW-B	48" wine/wine – built-in
HP48WW-S	48" wine/wine – freestanding
HP48WO-B	48" wine=wine – built-in
HP48WO-S	48" wine=wine – freestanding

Job _____
Area _____
Item No . _____
Model No. _____

Wine Reserve Options
1 – solid stainless door (Left or Right hinge)
2 – solid wood overlay door (Left or Right hinge)
3 – stainless glass door (Left or Right hinge)
4 – wood overlay glass door (Left or Right hinge)

= - means the zones are the same temperature

Overall Width: 47-7/8", 121.603 cm
Overall Height: 34-5/16", 87.154 cm
Overall Depth: 23-15/16", 60.801 cm
Capacity: 12 cubic ft.
Minimum Height Required: 34-3/8"
Door Swing Clearance: 24-25/32"
Electrical: 115V, 60 Hz., 1 phase AC, 2.3 amps
Plumbing: none required
Shipping Weight: 360 lbs.



* - Values may change due to custom pull with a wood overlay door



8300 W. Good Hope Rd. • Milwaukee, WI 53223

1-800-558-5592 • Fax: (414) 353-7069 • www.Perlick.com

Perlick is committed to continuous improvement. Therefore, we reserve the right to change specifications without warning