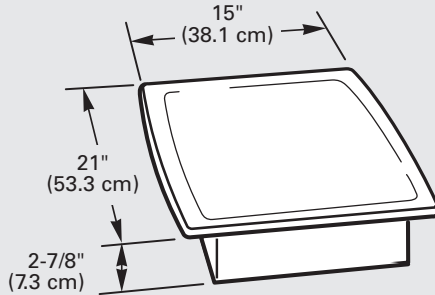


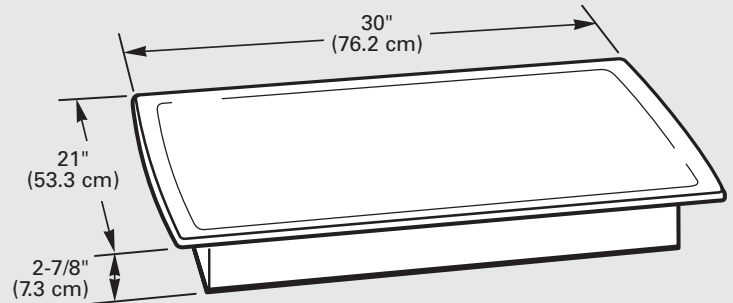
Installation Instructions

Gas Built-in Cooktops

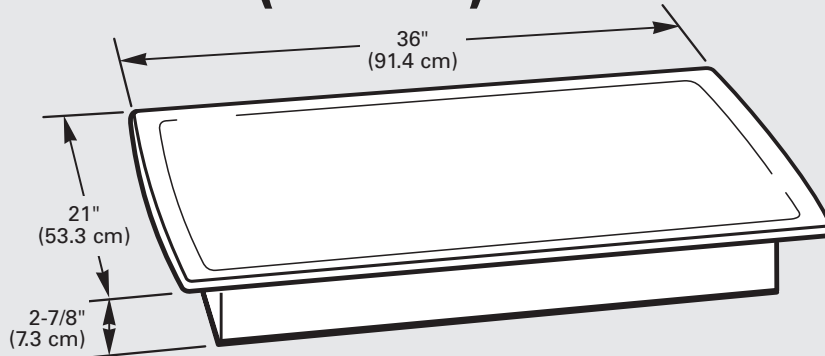
15" (38.1 cm)



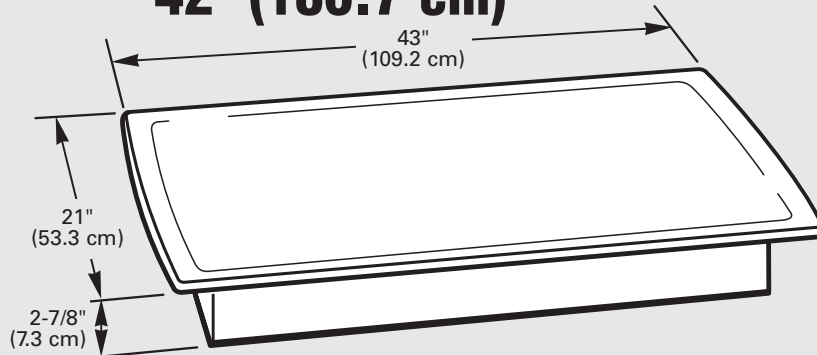
30" (76.2 cm)



36" (91.4 cm)



42" (106.7 cm)



IMPORTANT:
Read and save these instructions.

IMPORTANT:

Installer: Leave Installation Instructions with the homeowner.

Homeowner: Keep Installation Instructions for future reference.

Save Installation Instructions for local electrical inspector's use.

Write down the model and serial numbers before installing cooktop.

Both numbers are on the model/serial rating plate, located on the underside of the cooktop burner box.

Model # _____

Serial # _____

Before you start...

Your safety and the safety of others are very important.

We have provided many important safety messages in this manual and on your appliance. Always read and obey all safety messages.



This is the safety alert symbol. This symbol alerts you to potential hazards that can kill or hurt you and others.

All safety messages will follow the safety alert symbol and either the word "DANGER" or "WARNING." These words mean:

DANGER

You can be killed or seriously injured if you don't immediately follow instructions.

WARNING

You can be killed or seriously injured if you don't follow instructions.

All safety messages will tell you what the potential hazard is, tell you how to reduce the chance of injury, and tell you what can happen if the instructions are not followed.

IMPORTANT: Observe all governing codes and ordinances.

WARNING: If the information in this manual is not followed exactly, a fire or explosion may result causing property damage, personal injury or death.

- **Do not store or use gasoline or other flammable vapors and liquids in the vicinity of this or any other appliance.**
- **WHAT TO DO IF YOU SMELL GAS**
 - **Do not try to light any appliance.**
 - **Do not touch any electrical switch.**
 - **Do not use any phone in your building.**
 - **Immediately call your gas supplier from a neighbor's phone. Follow the gas supplier's instructions.**
 - **If you cannot reach your gas supplier, call the fire department.**
- **Installation and service must be performed by a qualified installer, service agency or the gas supplier.**

NOTE: This cooktop is manufactured for use with Natural gas*. To convert to L.P./Propane gas, see instructions in the Gas Conversion Kit provided in literature package.

Proper gas supply connection must be available. See "Gas supply requirements," Page 4.

*Exception: Model KGCR055 is manufactured for use with LP gas only.

Proper installation is your responsibility. Have a qualified technician install this cooktop.

Make sure you have everything necessary for correct installation. It is the responsibility of the installer to comply with the installation clearances specified on the model/serial rating plate. The model/serial rating plate can be found on the underside of the cooktop burner box.

Check location where cooktop will be installed. The location should be away from strong draft areas, such as windows, doors and strong heating vents or fans.

Do not obstruct flow of combustion and ventilation air.

All openings in the wall or floor where the cooktop is to be installed must be sealed.

When installing a cooktop under existing cabinets and the installation does not meet the minimum cabinet clearances, install a range hood above the cooktop to avoid burn hazards.

Electrical ground is required. See "Electrical Requirements," Pages 4-5.

It is the customer's responsibility:

- To contact a qualified electrical installer.
- To assure that electrical installation is adequate and in conformance with National Electrical Code, ANSI/NFPA 70 — latest edition**, or Canadian Electrical Code, C22.1 -1982 and C22.2 No. 01982 (or latest edition)*** and all local codes and ordinances.

Copies of the standards listed may be obtained from:

**National Fire Protection Association
One Batterymarch Park
Quincy, Massachusetts 02269

***CSA International
8501 East Pleasant Valley Rd.
Cleveland, OH 44131-5575

Tools needed for installation:

Assemble the required tools and parts before starting installation. Read and follow the instructions provided with any tools listed here.

- ruler or tape measure
- flat-blade screwdriver
- pencil
- pliers

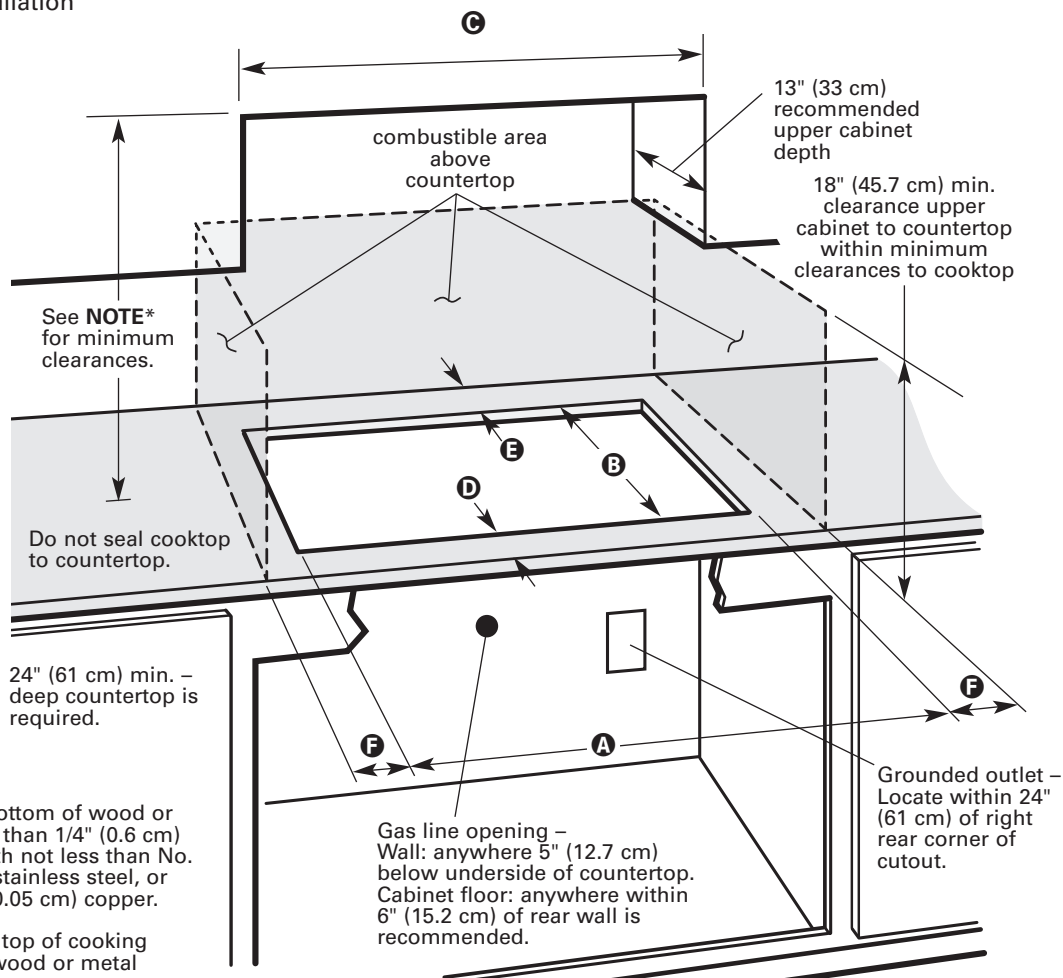
Countertop opening dimensions that are shown must be used. Given dimensions provide required clearances.

Replacement instructions: Use minimum dimensions given.

Mobile home installation: The installation of this cooktop must conform to the Manufactured Home Construction and Safety Standards, Title 24 CFR, Part 3280 (formerly the Federal Standard for Mobile Home Construction and Safety; Title 24 HUD part 280); or when such standard is not applicable, the Standard for Manufactured Home Installations (Manufactured Home Sites, Communities and Setups), ANSI A225.1 – latest edition**, or with local codes.

In Canada, the installation of this cooktop must conform with the current standards CAN/CSA-Z240 – latest edition***, or with local codes.

Cutout dimensions/requirements



***NOTE:** 24" (61 cm) min. clearance if bottom of wood or metal cabinet is protected by not less than 1/4" (0.6 cm) flame retardant millboard covered with not less than No. 28 MSG sheet steel, 0.015" (0.04 cm) stainless steel, or 0.024" (0.06 cm) aluminum or 0.020" (0.05 cm) copper.

30" (76.2 cm) min. clearance between top of cooking platform and bottom of unprotected wood or metal cabinet.

Illustration dimensions						
Cooktop width	A	B	C	D min.	E	F
15" (38.1 cm)	13-3/4" (34.9 cm)	19" (48.3 cm)	15" (38.1 cm)	2-1/8" (5.4 cm)	2-7/8" (7.3 cm)	5-5/8" (14.3 cm)
30" (76.2 cm)	29" (73.7 cm)	19" (48.3 cm)	30" (76.2 cm)	2-1/8" (5.4 cm)	2-7/8" (7.3 cm)	5-5/8" (14.3 cm)
36" (91.4 cm)	35-1/4" (89.5 cm)	19" (48.3 cm)	36" (91.4 cm)	2-1/8" (5.4 cm)	2-7/8" (7.3 cm)	5-5/8" (14.3 cm)
42" (106.7 cm)	42-3/4" (108.6 cm)	19" (48.3 cm)	42" (106.7 cm)	2-1/8" (5.4 cm)	2-7/8" (7.3 cm)	11-1/2" (28.4 cm)

Minimum distance to combustible surface above countertop

Important note on base cabinet construction: After making the countertop cutout, some installations may require notching down the base cabinet side walls to clear the burner box. To avoid this modification, use a base cabinet having sidewalls wider than the cutout.

NOTE: If cabinet has a drawer, a 4" (10.2 cm) depth clearance from the top of the countertop to the top of the drawer (or other obstruction) in base cabinet is required. The drawer depth may need to be shortened to avoid interfering with the regulator.

Gas supply requirements

⚠ WARNING



Explosion Hazard

Use a new AGA or CSA approved gas supply line.

Install a shutoff valve.

Securely tighten all gas connections.

If connected to LP, have a qualified person make sure gas pressure does not exceed 14" water column.

Examples of a qualified person include:

licensed heating personnel, authorized gas company personnel, and authorized service personnel.

Failure to do so can result in death, explosion, or fire.

Observe all governing codes and ordinances.

IMPORTANT: Cooktop must be connected to a regulated gas supply.

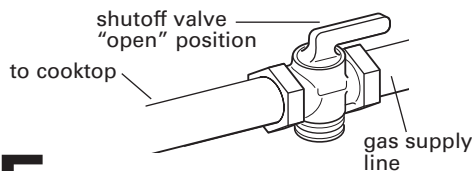
A. This installation must conform with local codes and ordinances. In the absence of local codes, installations must conform with American National Standard, National Fuel Gas Code ANSI Z223.1 — latest edition** or CANI — B149.1 or 2***.

B. Input ratings shown on the model/serial rating plate are for elevations up to 2,000 feet (610 m). For elevations above 2,000 feet (610 m), ratings are reduced at a rate of 4% for each 1,000 feet (305 m) above sea level.

C. The cooktop is equipped for use with natural gas*. It is design-certified by CSA International for natural and L.P. gases with appropriate conversion. The model/serial rating plate, located on the underside of the burner box, has information on the type of gas that can be used. If this information does not agree with the type of gas available, check with the local gas supplier. See Page 2 for L.P. gas conversion instructions.

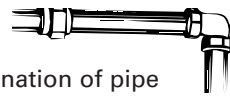
D. Provide a gas supply line of 3/4" rigid pipe to the cooktop location. A smaller size pipe on long runs may result in insufficient gas supply. Pipe-joint compounds, suitable for use with L.P. gas, must be used. With L.P. gas, piping or tubing size can be 1/2" minimum. L.P. gas suppliers usually determine the size and materials used on the system.

E. If local codes permit, a new AGA or CSA design-certified, 4-5 foot (1.2-1.5 m) long, 1/2" or 3/4" I.D., flexible metal appliance connector is recommended for connecting this cooktop to the gas supply line. Do not kink or damage the flexible connector when moving the cooktop. The pressure regulator has 3/8" female pipe threads. You will need to determine the fittings required, depending on the size of your gas supply line, flexible metal connector and shutoff valve.



F. The supply line shall be equipped with an approved shutoff valve. This valve should be located in the same room as the cooktop and should be in a location that allows ease of opening and closing. Do not block access to the shutoff valve. The valve is for turning on or shutting off gas to the appliance.

G. If rigid pipe is used as a gas supply line, a combination of pipe fittings must be used to obtain an in-line connection to the cooktop. All strains must be removed from the supply and fuel lines so cooktop will be level and in line.



H. The regulator must be checked at a minimum 1-inch (2.5 cm) water column above the set pressure. The inlet pressure to the regulator should be as follows for operation and checking the regulator setting:

NATURAL GAS:

Set pressure 4 inches (10.2 cm).

Supply pressure 7-14 inches (17.8 cm to 35.5 cm) maximum.

L.P. GAS:

Minimum pressure 10 inches (25.4 cm).

Supply pressure 14 inches (35.5 cm).

I. Line pressure testing:
Testing above 1/2 psi (3.5 kPa) (14 inches (35.6 cm)) W.C. (gauge)
The cooktop and its individual shutoff valve must be disconnected from the gas supply piping system during any pressure testing of that system at test pressures greater than 1/2 psig (3.5kPa).
Testing below 1/2 psi (3.5 kPa) (14 inches (35.6 cm)) W.C. (gauge) or lower
The cooktop must be isolated from the gas supply piping system by closing its individual manual shutoff valve during any pressure testing of the gas supply piping system at test pressures equal to or less than 1/2 psig (3.5 kPa).

Electrical requirements

⚠ WARNING



Electrical Shock Hazard

Plug into a grounded 3 prong outlet.

Do not remove ground prong.

Do not use an adapter.

Do not use an extension cord.

Failure to follow these instructions can result in death, fire, or electrical shock.

If codes permit and a separate ground wire is used, it is recommended that a qualified electrician determine that the ground path is adequate.

Check with a qualified electrician if you are not sure whether the cooktop is properly grounded.

Do not ground to a gas pipe.

A 120-volt, 60-Hz, AC-only, 15-ampere, fused electrical supply is required. A time-delay fuse or circuit breaker is recommended. It is recommended that a separate circuit serving only this appliance be provided.

*Exception: Model KGCR055 is manufactured for use with L.P. gas only.

**National Fire Protection Association
One Batterymarch Park
Quincy, Massachusetts 02269

***CSA International
8501 East Pleasant Valley Rd.
Cleveland, OH 44131-5575

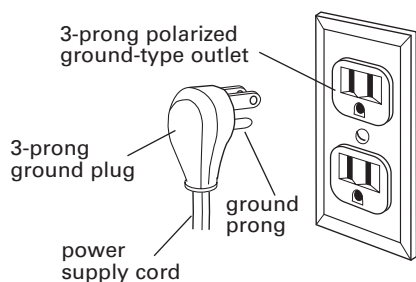
Electronic ignition systems operate within wide voltage limits, but proper ground and polarity are necessary. In addition to checking that the outlet provides 120-volt power and is correctly grounded, the outlet must be checked by a qualified electrician to see if it is wired with correct polarity. A wiring diagram is provided in the literature package.

IMPORTANT: This range is equipped with an electronic ignition system that will not operate if plugged into an outlet that is not properly polarized.

This appliance, when installed, must be electrically grounded in accordance with local codes or, in the absence of local codes, with the current CSA standard C22.1. Canadian Electrical Code Part 1.

Recommended ground method

For your personal safety, this cooktop must be grounded. This cooktop is equipped with a 3-prong ground plug. To minimize possible shock hazard, the cord must be plugged into a mating 3-prong ground-type outlet, grounded in accordance with the National Electrical Code ANSI/NFPA 70 latest edition** or Canadian Electrical Code (CSA)*** — and local codes and ordinances. If a mating outlet is not available, it is the personal responsibility and obligation of the customer to have a properly polarized and grounded, 3-prong outlet installed by a qualified electrician.



Copies of the standards listed may be obtained from:

**National Fire Protection Association
One Batterymarch Park
Quincy, Massachusetts 02269

***CSA International
8501 East Pleasant Valley Rd.
Cleveland, OH 44131-5575

Now start...

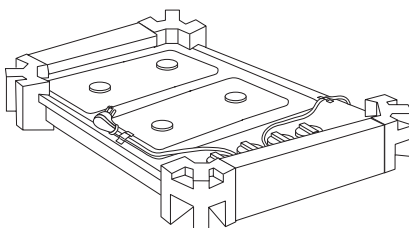
With cooktop in kitchen.

! WARNING

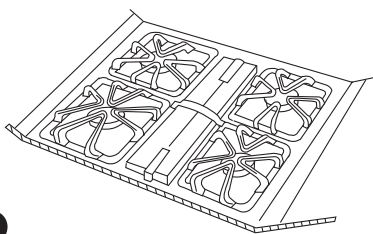
Excessive Weight Hazard

Use two or more people to move and install range.

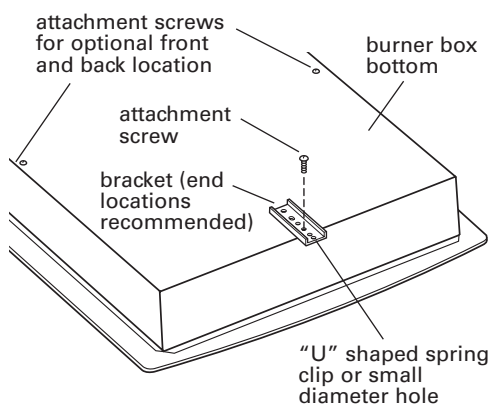
Failure to do so can result in back or other injury.



1. Remove foam shipping blocks and tape from cooktop. Untape power supply cord.



2. Remove pressure regulator, hardware package, burner grates, burner caps, clamp brackets, and 2-1/2" (6,4 cm) clamp screws, from shipping package.

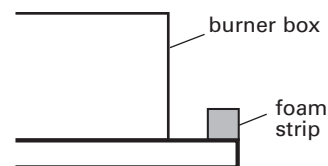


3. Two clamp brackets are provided to clamp the cooktop to the countertop. Install the clamp brackets on each end of the burner box bottom. Optional: If cabinet construction does not provide clearance for installing brackets at burner box ends, install the brackets on the front and back of the burner box bottom.

The brackets may be installed before (see Step 3a) or after (see Step 3b) the cooktop is placed into the cutout.

3a. If installing before the cooktop is placed into cutout:

- Place the cooktop upside down on a protective surface (blanket, pad).



Glass cooktops only:

Remove foam strip from literature package. Apply foam strip around bottom of cooktop flush with edge.

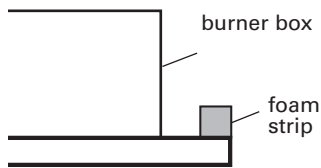
- Remove the attachment screws for the bracket locations selected from the bottom of the burner box.
- Use bracket mounting holes that will allow the clamp screws (see Step 4) to contact the countertop bottom. Attach brackets as shown then rotate brackets so that they do not extend beyond edge of burner box.
- Tighten screws just enough to hold brackets in place when cooktop is turned over and put into cutout.
- Turn the cooktop right side up and carefully place into the cutout.

IMPORTANT: Check that the front edge of the cooktop is parallel to the front edge of the countertop. Lift entire cooktop up from cutout when repositioning cooktop to prevent scratching the countertop.

- Loosen the screws or nuts, rotate the brackets so that they extend beyond edge of the burner box. Tighten screws securely.

3b. If installing after the cooktop is placed into cutout:

- Place the cooktop upside down on a protective surface (blanket, pad).



Glass cooktops only:

Remove foam strip from literature package. Apply foam strip around bottom of cooktop flush with edge. Turn cooktop right side up.

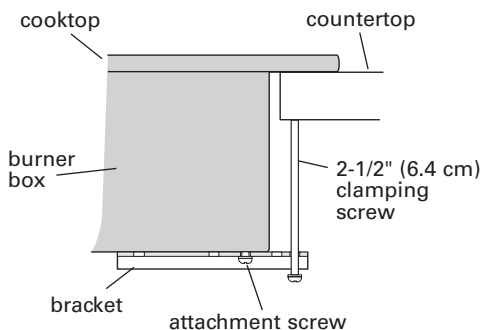
- Carefully place cooktop into cutout.

IMPORTANT: Check that the front edge of the cooktop is parallel to the front edge of the countertop.

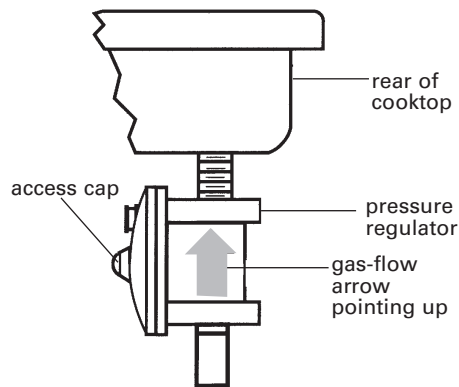
Lift entire cooktop up from cutout when repositioning cooktop to prevent scratching the countertop.

- Remove the attachment screws from selected bracket locations on the bottom of the burner box.

- Attach brackets as shown so that they are beyond edge of burner box and the clamp screws (see Step 4) will contact the countertop bottom. Tighten screws securely.

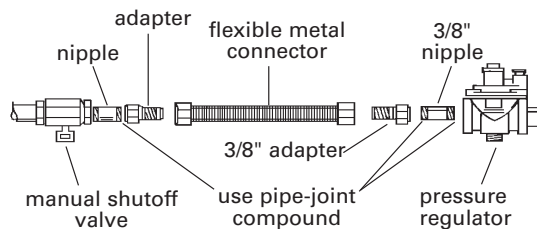


- 4.** Place the 2-1/2" (6.4 cm) clamping screws into the brackets. Use a screwdriver to tighten the screws against the countertop. Do not overtighten.



- 5.** Install the pressure regulator with the arrow on the regulator pointing up toward unit and in a position where you can reach the access cap.

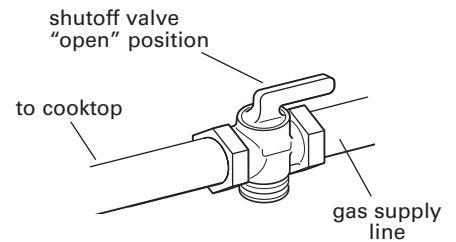
IMPORTANT: All connections must be wrench-tightened. Do not make connections to the gas regulator too tight. Making the connection too tight may crack the regulator and cause a gas leak. Do not allow the regulator to turn on the pipe when tightening fittings.



All connections must be wrench-tightened.

- 6.** Assemble flexible metal connector from the gas supply pipe to the pressure regulator. You will need to determine the fittings required, depending on the size of your gas supply line, flexible metal connector and shutoff valve.

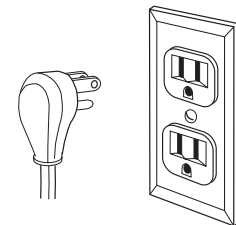
- 7.** Use pipe-joint compound made for use with NATURAL and L.P. gas. If flexible metal connector is used, be certain tubing is not kinked.



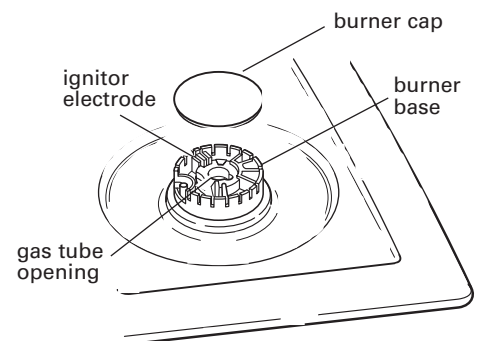
- 8.** Open shutoff valve in the gas supply line. Wait a few minutes for gas to move through the gas line.

- 9.** Leak testing of the appliance shall be conducted according to the following instructions:

Test all connections by brushing on an approved non-corrosive leak-detection solution. Bubbles will show a leak. Correct any leak found.



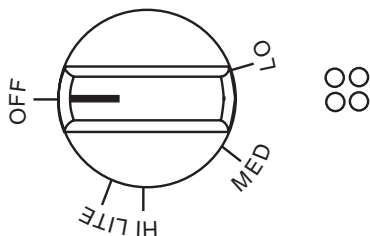
- 10.** Plug into a grounded 3-prong outlet.



- 11.** Put burner caps on each burner base. Place burner grates over burner bases and caps.

Electronic Ignition System — initial lighting

Cooktop burners use electronic igniters in place of standing pilots. When the cooktop control knob is pushed in and turned to the “LITE” position, the system creates a spark to light the burner. This sparking continues until the control knob is turned to the desired setting.



12. Check operation of the cooktop burners. Push in and turn each control knob to “LITE” position. The flame should light within 4 seconds. Do not leave the knob in the “LITE” position after burner lights.

If burners do not light properly, turn control knob to the “OFF” position. Check that burner cap is in the proper position. Check that power supply cord is plugged in and that circuit breaker or house fuse has not blown. Check that the shutoff valve is in the “ON” position. Check operation again. If a burner does not light at this point, contact your Whirlpool dealer for assistance.

13. Push in and turn each control knob to the “LO” (or simmer) setting. The “LO” setting of each burner has been factory set to the lowest setting available to provide reliable reignition of the burner. If it does not stay lit on the “LO” setting, check “LO” setting as follows:

- Turn control to “LITE” until burner ignites.
- Quickly turn knob down to lowest position.
- If burner goes out, readjust valve as follows:

Remove the surface burner control knob. Insert a flat-blade screwdriver into the hollow valve stem and engage the slotted screw. Flame size can be increased or decreased by turning the screw. Adjust flame until you can quickly turn knob from “LITE” to lowest position without extinguishing the flame. Flame should be as small as possible without going out.

If cooktop does not operate:

- Check that the circuit breaker is not tripped or the house fuse blown.
- Check that the power supply cord is plugged into the outlet.
- Check that gas valves are turned to the “ON” position.
- See Use and Care Guide for troubleshooting list.

If you need assistance:

If you have questions about operating, cleaning or maintaining your cooktop:

- Refer to Use and Care Guide.
- Call the Consumer Assistance Center. Check your Use and Care Guide for the number to call or call the dealer from whom you purchased this appliance. The dealer is listed in the Yellow Pages of your phone directory under “Appliances — Household — Major — Service and Repair.”

If you need service:

Maintain the quality built into your cooktop by calling an authorized service company.

To obtain the name and number of the authorized service company:

- Contact the dealer from whom you purchased your cooktop; or
- Look in the Yellow Pages of your telephone directory under “Appliances — Household — Major — Service and Repair;” or
- Call the Consumer Assistance Center. The number is listed in your Use and Care Guide.

When you call, you will need:

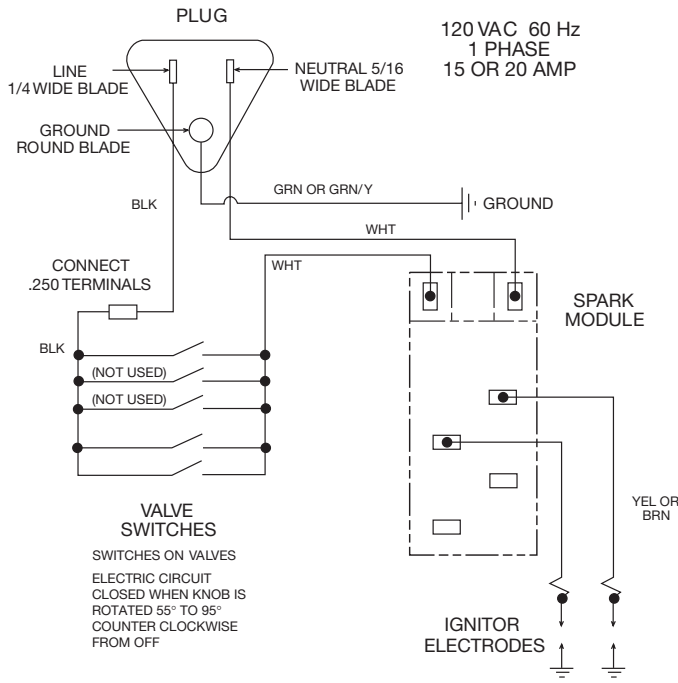
- The cooktop model number.
- The cooktop serial number.

Both numbers are listed on the model/serial rating plate located on the underside of cooktop burner box.

Cleaning and maintenance

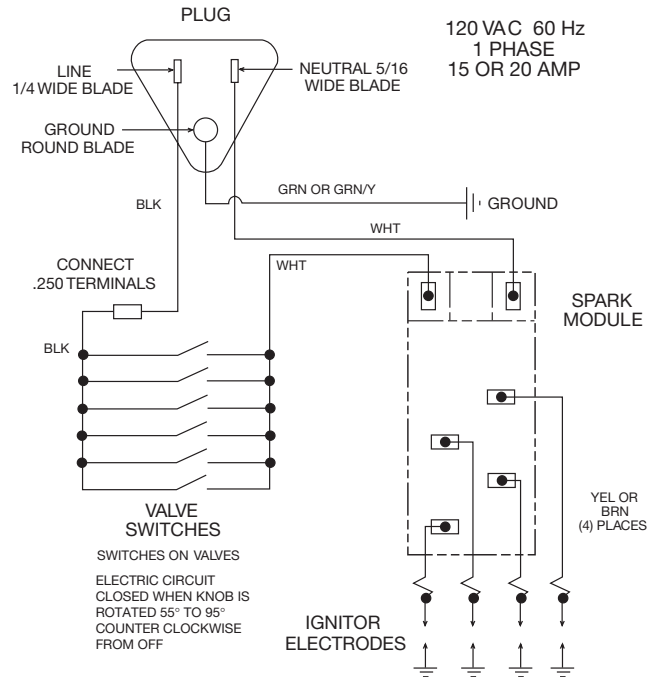
If removing the cooktop is necessary for cleaning or maintenance, shut off gas supply. Disconnect the gas and electric supply. Remove the mounting brackets on the right and left side of burner box. After disconnecting the gas and electric supply, finish removing the unit for cleaning and servicing. Reinstall in reverse order and check gas connection for leaks.

THE POWER CORD ON THIS APPLIANCE IS EQUIPPED WITH A THREE PRONGED (GROUNDING) PLUG WHICH MATES WITH STANDARD THREE PRONGED (GROUNDING) WALL RECEPTACLES



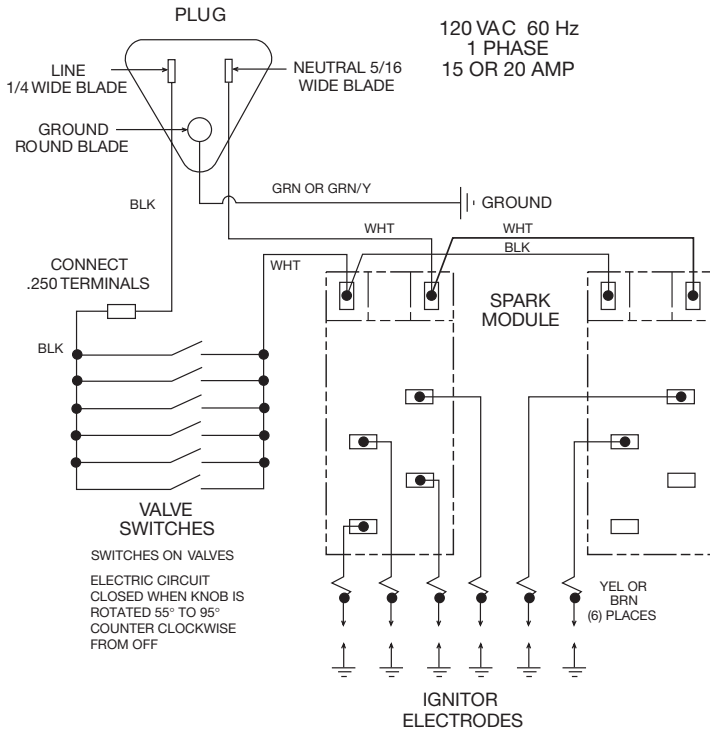
Caution: Label all wires prior to disconnection when servicing controls. Wiring errors can cause improper and dangerous operation. Verify proper operation after servicing.

THE POWER CORD ON THIS APPLIANCE IS EQUIPPED WITH A THREE PRONGED (GROUNDING) PLUG WHICH MATES WITH STANDARD THREE PRONGED (GROUNDING) WALL RECEPTACLES



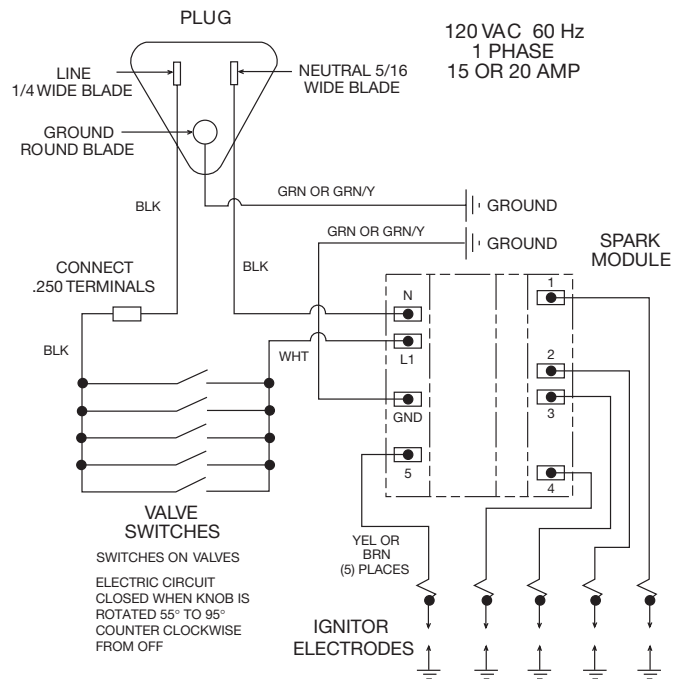
Caution: Label all wires prior to disconnection when servicing controls. Wiring errors can cause improper and dangerous operation. Verify proper operation after servicing.

THE POWER CORD ON THIS APPLIANCE IS EQUIPPED WITH A THREE PRONGED (GROUNDING) PLUG WHICH MATES WITH STANDARD THREE PRONGED (GROUNDING) WALL RECEPTACLES



Caution: Label all wires prior to disconnection when servicing controls. Wiring errors can cause improper and dangerous operation. Verify proper operation after servicing.

THE POWER CORD ON THIS APPLIANCE IS EQUIPPED WITH A THREE PRONGED (GROUNDING) PLUG WHICH MATES WITH STANDARD THREE PRONGED (GROUNDING) WALL RECEPTACLES

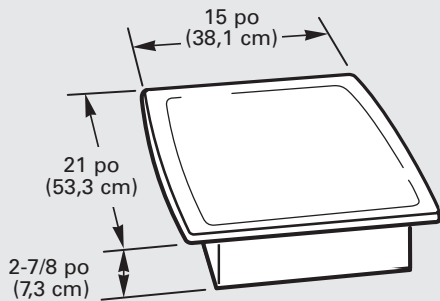


Caution: Label all wires prior to disconnection when servicing controls. Wiring errors can cause improper and dangerous operation. Verify proper operation after servicing.

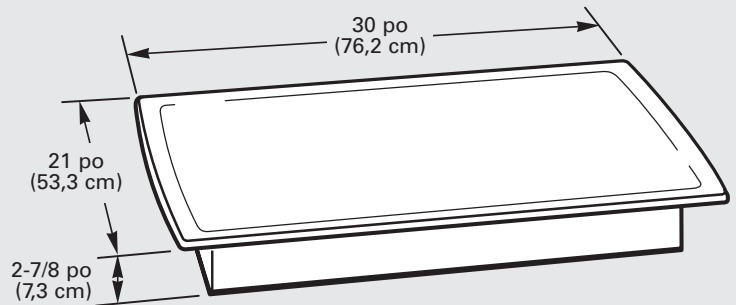
Instructions d'installation

Tables de cuisson encastrées – à gaz

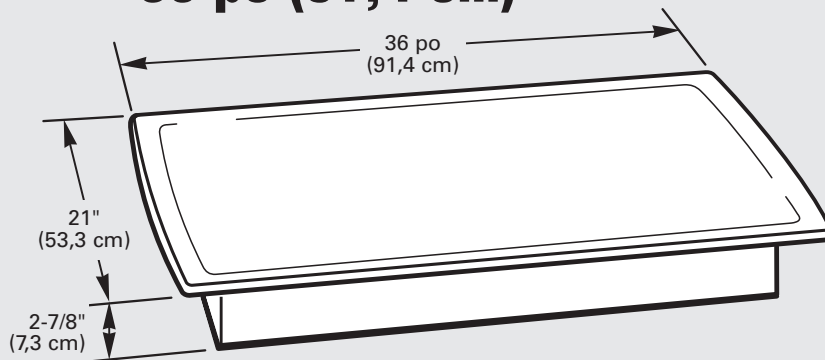
15 po (38,1 cm)



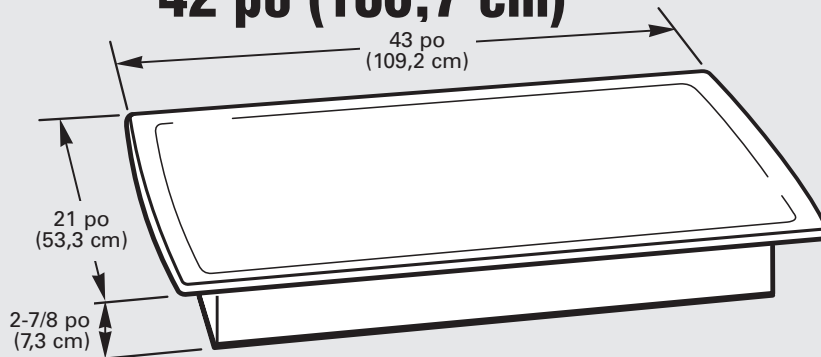
30 po (76,2 cm)



36 po (91,4 cm)



42 po (106,7 cm)



IMPORTANT : Lire et conserver ces instructions.

IMPORTANT :

Installateur : Remettre les instructions d'installation au propriétaire.

Propriétaire : Conserver les instructions d'installation pour utilisation ultérieure et consultation par l'inspecteur local des installations électriques.

Inscrire ci-dessous les numéros de modèle et de série, avant d'installer la table de cuisson.

On trouve ces deux numéros sur la plaque signalétique, située en-dessous de la caisse de la table de cuisson.

N° de modèle _____

N° de série _____

Avant de commencer...

Votre sécurité et celle des autres est très importante.

Nous donnons de nombreux messages de sécurité importants dans ce manuel, et sur votre appareil ménager. Assurez-vous de toujours lire tous les messages de sécurité et de vous y conformer.



Voici le symbole d'alerte de sécurité.

Ce symbole d'alerte de sécurité vous signale les dangers potentiels de décès et de blessures graves à vous et à d'autres.

Tous les messages de sécurité suivront le symbole d'alerte de sécurité et le mot «DANGER» ou «AVERTISSEMENT». Ces mots signifient :

DANGER

Risque possible de décès ou de blessure grave si vous ne suivez pas immédiatement les instructions.

AVERTISSEMENT

Risque possible de décès ou de blessure grave si vous ne suivez pas les instructions.

Tous les messages de sécurité vous diront quel est le danger potentiel et vous disent comment réduire le risque de blessure et ce qui peut se produire en cas de non-respect des instructions.

IMPORTANT : respecter les dispositions et tous les codes et règlements en vigueur.

AVERTISSEMENT : Si l'information présentée dans ce manuel n'est pas strictement respectée, il peut se produire un incendie ou une explosion provoquant des dommages matériels, des blessures ou un décès.

- **Ne pas entreposer d'essence ou des récipients de liquides ou produits volatiles inflammables et ne jamais utiliser de tels produits au voisinage de cet appareil ou de tout autre appareil ménager.**
- **QUE FAIRE LORSQU'UNE ODEUR DE GAZ EST PERCEPTIBLE :**
 - **Ne pas allumer ou mettre en marche un appareil.**
 - **Ne toucher aucun commutateur électrique.**
 - **Ne pas utiliser un téléphone dans l'édifice.**
 - **Contactez immédiatement le fournisseur de gaz en utilisant le téléphone d'un voisin. Exécutez les instructions du fournisseur de gaz.**
 - **S'il est impossible de contacter le fournisseur de gaz, appelez les pompiers.**
- **Les opérations d'installation et d'entretien doivent être exécutées par un installateur qualifié ou le personnel qualifié d'une entreprise d'entretien ou du fournisseur de gaz.**

NOTE : Cette table de cuisson est conçue pour l'alimentation au gaz naturel*. Pour la conversion de l'appareil pour l'alimentation au propane, voir les instructions qui accompagnent l'ensemble de conversion.

Il faut qu'un dispositif de raccordement adéquat à la canalisation de gaz soit disponible. Voir à la page 4, «Spécifications de la source de gaz».

C'est au propriétaire qu'incombe la responsabilité d'une installation correcte. Faire installer la table de cuisson par un technicien qualifié.

Vérifier que tout le matériel nécessaire est disponible pour une installation correcte. C'est à l'installateur qu'incombe la responsabilité de respecter les dimensions des dégagements de sécurité spécifiées sur la plaque signalétique. On trouve la plaque signalétique en-dessous de la caisse de la table de cuisson.

Inspecter l'emplacement où la table de cuisson sera installée. Il faut qu'il soit éloigné des sources de courants d'air comme fenêtres, portes et ventilateurs ou bouches de chauffage.

Ne pas entraver la circulation d'air de ventilation et de combustion.

À l'emplacement d'installation de la table de cuisson, toutes les ouvertures dans les murs ou le plancher doivent être obturées.

Lors de l'installation d'une table de cuisson sous des placards existants, s'il n'est pas possible de respecter les distances de séparation minimales des placards, installer une hotte au-dessus de la table de cuisson pour éviter les risques de brûlures.

Une liaison électrique à la terre est nécessaire. Voir aux pages 4-5 «Spécifications de l'installation électrique».

C'est à l'utilisateur qu'incombe la responsabilité :

- de contacter un électricien qualifié pour l'installation.
- de veiller à ce que l'installation électrique soit réalisée adéquatement et en conformité avec les prescriptions du Code national des installations électriques, ANSI/NFPA 70 (édition la plus récente)* ou du Code canadien des installations électriques C22.1 – 1982 et C22.2 N° 01982 (ou édition la plus récente)** et de tous les codes et règlements locaux en vigueur.

*Exception : le modèle KGCR055 est fabriqué pour l'utilisation avec le gaz propane seulement.

On peut obtenir des exemplaires des normes mentionnées aux adresses suivantes :

*National Fire Protection Association
One Batterymarch Park
Quincy, Massachusetts 02269

**CSA International
8501 East Pleasant Valley Rd.
Cleveland, OH 44131-5575

Outillage nécessaire pour l'installation :

Rassembler l'outillage et les pièces nécessaires avant de commencer l'installation. Lire et suivre les instructions fournies avec l'un ou l'autre des outils énumérés ici.

- mètre-ruban
- tournevis à lame plate
- crayon
- pince

On doit respecter les dimensions indiquées pour l'ouverture découpée dans le plan de travail. Les dimensions indiquées tiennent compte des distances de séparation nécessaires.

Installations de remplacement : Utiliser les dimensions minimales données.

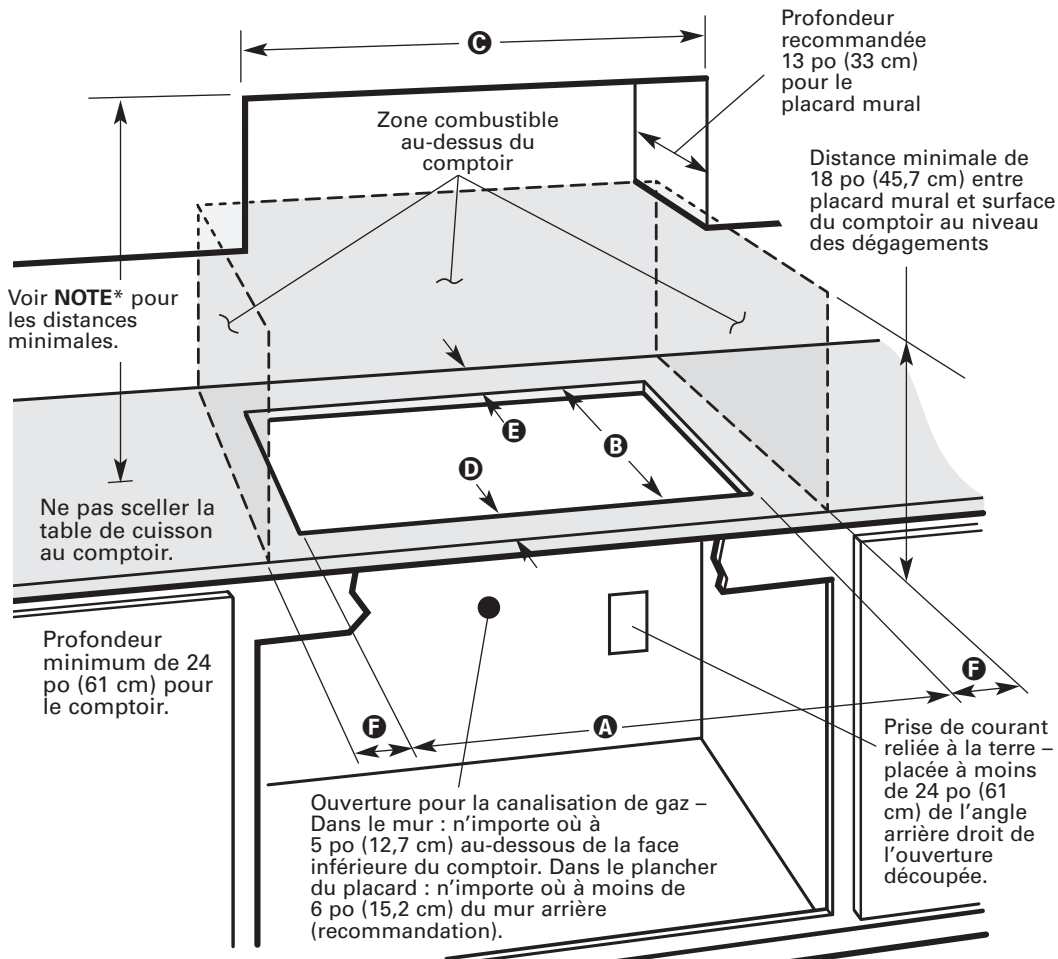
Installation dans une résidence mobile : L'installation de cette table de cuisson doit respecter les prescriptions de la Norme de Sécurité des Résidences Mobiles (Manufactured Home Construction and Safety Standards, Titre 24 CFR, Partie 3280) – (anciennement Federal Standard for Mobile Home Construction and Safety; Titre 24 HUD partie 280); ou bien lorsque cette norme n'est pas applicable, l'installation doit satisfaire les prescriptions de la norme ANSI A225.1 – dernière édition* (Manufactured Home Installations - Manufactured Home Sites, Communities and Setups) ou de tout code local en vigueur.

Au Canada l'installation de cette table de cuisson doit satisfaire les prescriptions de la plus récente édition de la norme CAN/CSA Z240, ou de tout code local en vigueur.**

***NOTE :** Dégagement de séparation d'au moins 24 po (61 cm) si le fond du placard de bois ou métallique est protégé par une plaque de matériau ignifugé d'au moins 1/4 po (0,6 cm) recouverte d'une tôle d'acier de calibre 28 MSG, d'acier inoxydable de 0,015 po (0,04 cm), d'aluminium de 0,024 po (0,06 cm), ou de cuivre de 0,020 po (0,05 cm).

Distance de séparation minimale de 30 po (76,2 cm) entre le sommet de la plate-forme de cuisson et le fond d'un placard de bois ou métallique non protégé.

Dimensions de l'ouverture à découper



Illustrations – Dimensions

Largueur de la table de cuisson	A	B	C	D min.	E	F
15 po (38,1 cm)	13-3/4 po (34,9 cm)	19 po (48,3 cm)	15 po (38,1 cm)	2-1/8 po (5,4 cm)	2-7/8 po (7,3 cm)	5-5/8 po (14,3 cm)
30 po (76,2 cm)	29 po (73,7 cm)	19 po (48,3 cm)	30 po (76,2 cm)	2-1/8 po (5,4 cm)	2-7/8 po (7,3 cm)	5-5/8 po (14,3 cm)
36 po (91,4 cm)	35-1/4 po (89,5 cm)	19 po (48,3 cm)	36 po (91,4 cm)	2-1/8 po (5,4 cm)	2-7/8 po (7,3 cm)	5-5/8 po (14,3 cm)
42 po (106,7 cm)	42-3/4 po (108,6 cm)	19 po (48,3 cm)	42 po (106,7 cm)	2-1/8 po (5,4 cm)	2-7/8 po (7,3 cm)	11-1/2 po (28,4 cm)

Après le découpage de l'ouverture dans le plan de travail, il peut être nécessaire d'entailler les parois latérales du placard pour permettre le passage de la boîte des brûleurs. Pour éviter cette modification, il faut que la profondeur du placard soit supérieure à la largeur de l'ouverture découpée dans le plan de travail.

Valeur minimale du dégagement de séparation des matériaux combustibles au-dessus de la table de cuisson

NOTE : Si le placard comporte un tiroir, on doit respecter une distance de séparation de 4 po (10,2 cm) entre la table de cuisson et le sommet du tiroir (ou de toute autre obstruction) dans le placard inférieur. Il peut être nécessaire de réduire la profondeur du tiroir pour qu'il n'y ait pas d'interférence avec le détendeur.

Spécifications de la source de gaz

⚠ AVERTISSEMENT



Risque d'explosion

Utiliser une canalisation de gaz neuve, homologuée par AGA ou CSA.

Installer un robinet d'arrêt.

Serrer fermement toutes les connexions de la canalisation de gaz.

Dans le cas de l'alimentation au propane, demander à un technicien qualifié de vérifier que la pression ne dépasse pas 14 po (colonne d'eau).

Technicien qualifié : technicien licencié en chauffage, personnel d'un établissement agréé de service des appareils à gaz, ou personnel du fournisseur de gaz.

Le non respect de ces instructions peut entraîner un décès, une explosion ou un incendie.

Respecter les dispositions de tous les codes et règlements en vigueur.

IMPORTANT : La table de cuisson doit être raccordée à une source de gaz à pression réglée.

A. L'installation doit satisfaire les prescriptions des codes et règlements locaux. En l'absence d'un code local, l'installation doit satisfaire les prescriptions de la plus récente édition de la norme ANSI Z223.1 – (National Fuel Gas Code)** ou CANI B149.1 ou 2***.

B. La capacité thermique indiquée sur la plaque signalétique correspond à une altitude d'utilisation inférieure à 2 000 pi (610 m). Pour une altitude d'utilisation supérieure à 2 000 pi (610 m), la capacité thermique est réduite de 4 % pour chaque tranche d'altitude de 1 000 pi (305 m) au-dessus du niveau de la mer.

C. La table de cuisson est équipée pour l'alimentation au gaz naturel*. La conception du produit est homologuée par

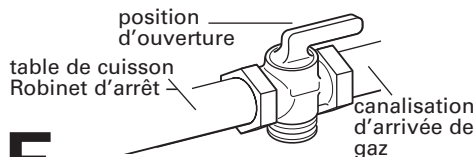
*Exception : le modèle KGCR055 est fabriqué pour l'utilisation avec le gaz propane seulement.

CSA International pour l'alimentation au gaz naturel ou au propane, avec utilisation des accessoires de conversion appropriés. On trouve sur la plaque signalétique située sur la face inférieure de la caisse l'indication du type de gaz à utiliser. Si le type de gaz à utiliser ne correspond pas au type de gaz disponible, consulter le fournisseur de gaz local. Voir à la page 2 les instructions concernant la conversion pour l'alimentation au propane.

D. Installer une canalisation de gaz rigide de 3/4 po jusqu'à l'emplacement de la table de cuisson. L'emploi d'une canalisation trop longue ou de diamètre trop petit peut réduire excessivement le débit de gaz. On doit appliquer sur les raccords un composé d'étanchéité compatible avec le propane. Dans le cas de l'alimentation au propane, le diamètre de la canalisation doit être d'au moins 1/2 po. Les fournisseurs de propane indiquent habituellement la taille et la nature des matériaux à utiliser lors de la réalisation du système.

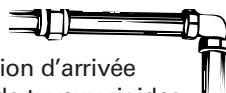


E. Si le code local le permet, il est recommandé de raccorder l'appareil à la canalisation d'arrivée de gaz au moyen d'un conduit métallique flexible (homologation AGA ou CSA) de 4 à 5 pi (1,2-1,5 m), de diamètre interne de 1/2 ou 3/4 po. Veillez à ne pas déformer ou endommager le conduit flexible lors des manipulations de la table de cuisson. Le détendeur comporte un filetage femelle de 3/8 po. Il sera nécessaire de déterminer le type de raccord nécessaire, selon la taille de la canalisation d'arrivée de gaz et les caractéristiques du conduit métallique flexible et du robinet d'arrêt.



F. La canalisation d'arrivée de gaz doit comporter un robinet d'arrêt homologué. Ce robinet doit être installé dans la même pièce que la table de cuisson, à un emplacement facilement accessible pour ouverture/fermeture. Ne pas entraver l'accès au robinet d'arrêt; ce robinet est utilisé pour établir/interrompre l'alimentation en gaz de l'appareil.

G. Si la canalisation d'arrivée de gaz est constituée de tuyaux rigides, on doit utiliser une combinaison de raccords pour réaliser le raccordement à la table de cuisson. On doit veiller à ce que la canalisation n'exerce aucun effort sur l'appareil, afin que la table de cuisson soit d'aplomb et bien alignée.



H. On doit effectuer un contrôle du détendeur sous une pression d'au moins 1 po (2,5 cm) (colonne d'eau) au-dessus de la pression de réglage. Pour l'utilisation de l'appareil et le contrôle du réglage du détendeur, la pression d'alimentation doit correspondre aux indications ci-dessous :

GAZ NATUREL :

Pression de réglage : 4 po (10,2 cm).

Pression d'alimentation : 7-14 po (17,8 cm à 35,5 cm) maximum.

PROPANE :

Pression minimum : 10 po (25,4 cm).

Pression d'alimentation : 14 po (35,5 cm).

I. Test de la pression d'alimentation : Test à une pression supérieure à 1/2 lb/po2 (3,5 kPa -14 po / 35,6 cm colonne d'eau, pression relative). Lors de tout test du système à une pression de test supérieure à 1/2 lb/po2 rel. (3,5 kPa) l'appareil et son robinet d'arrêt individuel doivent être déconnectés de la canalisation d'arrivée de gaz.

Test à une pression de 1/2 lb/po2 (3,5 kPa - 14 po/35,6 cm colonne d'eau, pression relative) ou moins.

Lors de tout test de la canalisation d'arrivée de gaz à une pression égale ou inférieure à fi 1/2 lb/po2 rel. (3,5 kPa) la table de cuisson doit être isolée de la canalisation d'arrivée de gaz par fermeture du robinet d'arrêt manuel.

Spécifications de l'installation électrique

⚠ AVERTISSEMENT



Risque de choc électrique

Brancher la fiche sur une prise de courant à 3 alvéoles, reliée à la terre.

Ne pas arracher la broche de liaison à la terre.

Ne pas utiliser un adaptateur.

Le non respect de ces instructions peut entraîner accident mortel, incendie ou choc électrique.

On peut obtenir des exemplaires des normes mentionnées aux adresses suivantes :

**National Fire Protection Association
One Batterymarch Park
Quincy, Massachusetts 02269

***CSA International
8501 East Pleasant Valley Rd.
Cleveland, OH 44131-5575

Si un conducteur distinct de liaison à la terre est utilisé lorsque le code local le permet, on recommande qu'un électricien qualifié vérifie que la liaison à la terre est adéquate.

En cas d'incertitude quant à la qualité de la liaison à la terre de l'appareil, consulter un électricien qualifié.

Ne pas utiliser une canalisation de gaz pour la liaison à la terre.

L'appareil doit être alimenté par un circuit 120-volts, 60-Hz, CA seulement, 15 ampères. Le circuit doit être protégé par un fusible temporisé ou un disjoncteur. On recommande que l'appareil soit alimenté par un circuit indépendant, qui n'alimente que cet appareil.

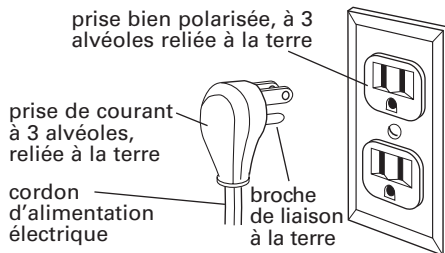
La tolérance sur la tension d'alimentation du système d'allumage électronique est large, mais il faut que la polarité soit correcte et qu'il y ait une bonne liaison à la terre. En plus de vérifier que la prise de courant est correctement reliée à la terre et qu'elle fournit une tension de 120 volts, un électricien qualifié devrait vérifier que la polarité est correcte. Un schéma de câblage est fourni dans les documents qui accompagnent l'appareil.

IMPORTANT : Cette cuisinière est équipée d'un système d'allumage électronique qui ne fonctionnera pas si elle est branchée sur une prise qui n'est pas bien polarisée.

Après l'installation, cet appareil doit être électriquement relié à la terre conformément aux prescriptions du code local, ou en l'absence de code local, conformément aux prescriptions de l'édition en vigueur de la norme CSA C22.1, Code canadien des installations électriques, Partie 1.

Méthode recommandée de liaison à la terre

Pour la sécurité de tous les utilisateurs, cette table de cuisson doit être reliée à la terre. Cette table de cuisson est équipée d'une fiche de branchement à 3 broches, pour liaison à la terre. Pour minimiser le risque de choc électrique, on doit brancher le cordon d'alimentation sur une prise de courant de configuration correspondante, à 3 alvéoles, reliée à la terre conformément aux prescriptions de la plus récente édition du Code national des installations électriques ANSI/NFPA 70*, ou du Code canadien des installations électriques (CSA)** - et de tout code ou règlement local en vigueur. Si une prise d'accouplement n'est pas disponible, le client a la responsabilité et l'obligation personnelles de faire installer une prise bien polarisée, à 3 alvéoles reliée à la terre.



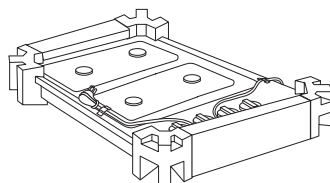
Début de l'installation...

Avec la table de cuisson dans la cuisine.

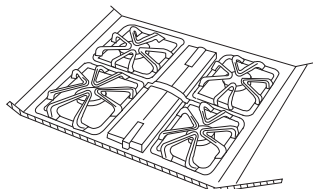
⚠ AVERTISSEMENT

Risque de poids excessif
Deux personnes ou plus doivent déplacer et installer la table de cuisson.

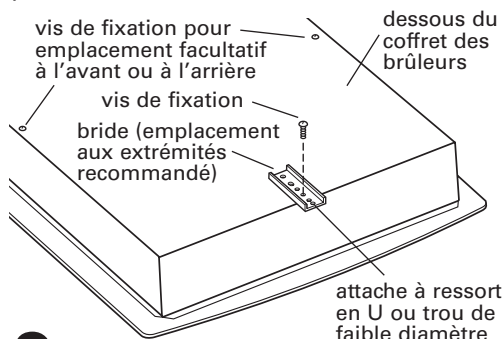
Le non-respect de cette instruction peut causer une blessure au dos ou d'autres blessures.



1. Enlever les rubans adhésifs et les matériaux d'emballage de la table de cuisson. Enlever le ruban adhésif du cordon d'alimentation.



2. Séparer des matériaux d'emballage le détenteur, le paquet de petites pièces, les grilles et chapeaux de brûleur, les brides d'immobilisation et les vis de 6,4 cm (2,5 po).



3. Deux brides sont fournies pour fixer la table de cuisson au comptoir. Installer les brides à chaque extrémité du dessous du coffret des brûleurs.

Optionnel : si la construction de l'armoire n'offre pas de dégagement pour l'installation des brides aux extrémités du coffret des brûleurs, installer les brides à l'avant et à l'arrière du coffret des brûleurs. L'installation des brides peut se faire avant (voir l'étape 3a) ou après (voir l'étape 3b) que la table de cuisson soit placée dans l'ouverture.

3a. Dans le cas d'une installation avant que la table de cuisson soit placée dans l'ouverture :

- Placer la table de cuisson à l'envers sur une surface protégée (couverture, protège-table).

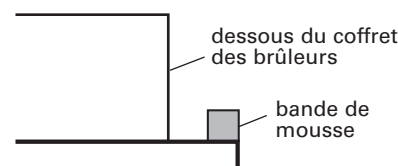


Table de cuisson de verre seulement :

Prendre les rubans de mousse dans le sachet de documents. Appliquer les rubans de mousse sur la périphérie de la table de cuisson, en affleurement avec le bord.

- Ôter les vis de fixation du dessous du coffret des brûleurs pour l'emplacement des brides choisi.
- Utiliser les trous de montage qui permettront aux vis des brides (voir l'étape 4) de toucher le dessous du comptoir. Fixer les brides tel qu'indiqué, puis les tourner pour qu'elles ne dépassent pas le bord du coffret des brûleurs
- Serrer les vis juste assez pour maintenir les brides en place durant l'insertion de la table de cuisson dans l'ouverture.
- Remettre la table de cuisson à l'endroit si nécessaire. La placer avec précaution dans l'ouverture.

IMPORTANT : Vérifier que le bord avant de la table de cuisson est parallèle à l'avant du comptoir. Sortir la table de cuisson complètement de l'ouverture lors du repositionnement pour ne pas égratigner le comptoir.

- Desserrer les vis ou écrous, tourner les brides pour qu'elles dépassent le bord du coffret des brûleurs. Bien serrer les vis ou écrous.

On peut obtenir des exemplaires des normes mentionnées aux adresses suivantes :

*National Fire Protection Association
 One Batterymarch Park
 Quincy, Massachusetts 02269

**CSA International
 8501 East Pleasant Valley Rd.
 Cleveland, OH 44131-5575

3b. Dans le cas d'une installation après que la table de cuisson soit placée dans l'ouverture :

- Placer la table de cuisson à l'envers sur une surface protégée (couverture, protège-table).

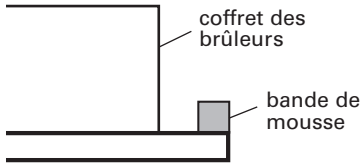


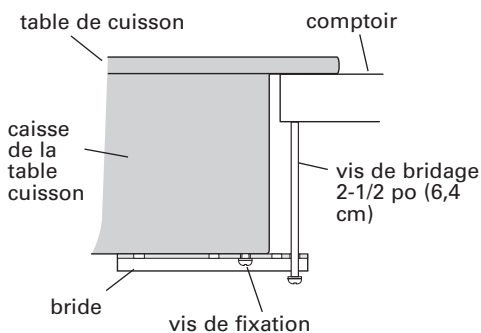
Table de cuisson de verre seulement :

Prendre les rubans de mousse dans le sachet de documents. Appliquer les rubans de mousse sur la périphérie de la table de cuisson, en affleurement avec le bord. Remettre la table de cuisson à l'endroit.

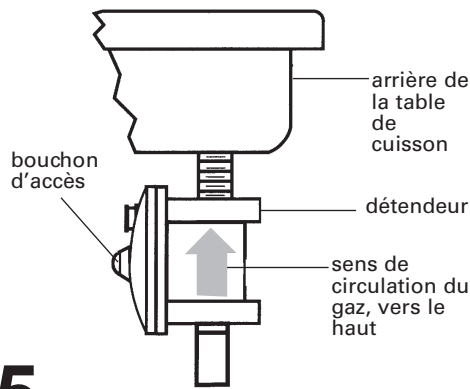
- Placer soigneusement la table de cuisson dans l'ouverture.

IMPORTANT : Vérifier que le bord avant de la table de cuisson est parallèle à l'avant du comptoir. Soulever la table de cuisson complètement de l'ouverture lors du repositionnement pour ne pas égratigner le comptoir.

- Ôter les vis de fixation des emplacements de bride choisis sur le dessous du coffret des brûleurs.
- Fixer les brides tel qu'indiqué de telle sorte qu'elles dépassent le bord du coffret des brûleurs et que les vis des brides (voir l'étape 4) touchent le dessous du comptoir. Bien serrer les vis.

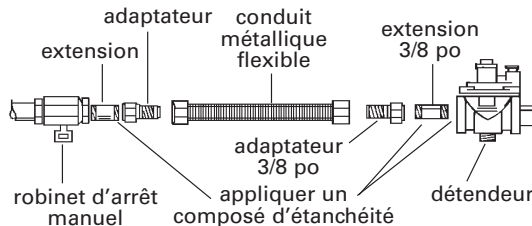


4. Placer les vis de blocage de 2-1/2 po (6,4 cm) dans les brides. Utiliser un tournevis pour serrer les vis contre le comptoir. Ne pas serrer excessivement.



5. Lors de l'installation du détendeur, orienter la flèche vers le haut, vers l'appareil; installer le détendeur à un endroit où le bouchon d'accès sera accessible.

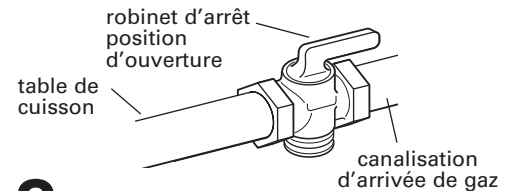
IMPORTANT : Chaque raccord doit être serré avec une clé. Ne pas trop serrer les connexions sur le détendeur; un serrage excessif peut fissurer le détendeur, suscitant une fuite de gaz. Lors du serrage des raccords, ne pas laisser le détendeur tourner sur le tuyau.



Chaque raccord doit être serré avec une clé.

6. Raccorder le conduit métallique flexible à la canalisation d'arrivée de gaz et au détendeur. Il sera nécessaire de déterminer le type des raccords nécessaires, selon la taille de la canalisation d'arrivée de gaz et les caractéristiques du conduit métallique flexible et du robinet d'arrêt.

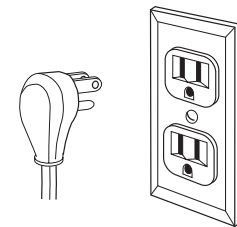
7. Appliquer sur les raccords un composé d'étanchéité compatible avec le gaz naturel et le propane. Si un conduit métallique flexible est utilisé, veiller à ne pas le déformer.



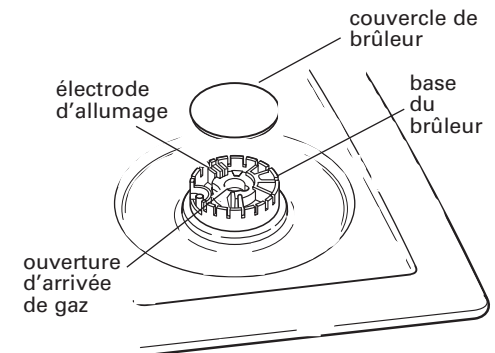
8. Ouvrir le robinet d'arrêt de la canalisation d'arrivée de gaz. Attendre quelques minutes que le gaz expulse l'air de la canalisation.

9. Exécuter un test de recherche des fuites conformément aux instructions qui suivent :

Effectuer un test de recherche des fuites sur chaque connexion à l'aide d'une solution de détection des fuites, non corrosive. La formation de bulles identifie une fuite. Rectifier chaque connexion manifestant une fuite.



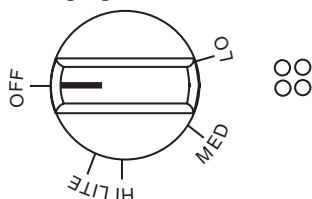
10. Brancher sur une prise à 3 alvéoles reliée à la terre.



11. Placer le couvercle de brûleur sur chaque brûleur. Installer la grille de chaque brûleur.

Système d'allumage électronique – allumage initial

Les brûleurs de la table de cuisson ne comportent pas de flamme de veille; ils sont munis d'un dispositif d'allumage électronique. Lorsqu'on appuie sur le bouton de commande et le fait tourner jusqu'à la position LITE, le système émet des étincelles qui provoquent l'allumage de la flamme. La production d'étincelles se poursuit jusqu'au moment où on ramène le bouton de commande à la position de réglage choisie.



12. Contrôler le fonctionnement des brûleurs. Manoeuvrer chaque bouton de commande pour le placer à la position LITE. La flamme devrait s'allumer en moins de 4 secondes. Après l'allumage du brûleur, ne pas laisser le bouton à la position LITE.

Si un brûleur ne s'allume pas correctement, ramener le bouton de commande à la position d'arrêt OFF. Vérifier que le couvercle de brûleur est à la position convenable. Vérifier que le cordon d'alimentation de l'appareil est branché; déterminer si la prise de courant est alimentée (fusible grillé, disjoncteur ouvert ?). Vérifier que le robinet d'arrêt est à la position d'ouverture ON. Essayer de nouveau d'allumer le brûleur. Si le brûleur ne s'allume pas, demander l'aide du concessionnaire Whirlpool.

13. Pour chaque brûleur, appuyer sur le bouton et faire tourner le bouton jusqu'à la position LO (mijotage). Pour la position LO, le débit de gaz de chaque brûleur a été réglé à l'usine à la plus faible valeur possible permettant un réallumage fiable du brûleur. Si le brûleur ne reste pas allumé à la position LO, contrôler le réglage de la position LO comme suit :

- Placer le bouton de commande à la position LITE jusqu'à l'allumage du brûleur.
- Ramener rapidement le bouton à la position lo.
- Si le brûleur s'éteint, modifier le réglage du robinet de commande comme suit :

Ôter le bouton du robinet du brûleur. Insérer un tournevis à lame plate dans la tige creuse du robinet, pour faire tourner la vis qui s'y trouve. La rotation de la vis permet d'augmenter ou diminuer la taille de la flamme. Ajuster la taille de la flamme jusqu'au point où il sera possible de faire passer rapidement le bouton du robinet de la position LITE à la position lo sans provoquer l'extinction de la flamme. Il faut que la flamme soit aussi petite que possible, sans qu'elle s'éteigne.

Si la table de cuisson ne fonctionne pas :

- Déterminer si la prise de courant est alimentée (disjoncteur ouvert / fusible grillé ?)
- Vérifier que le cordon d'alimentation est branché sur la prise de courant.
- Vérifier que les robinets de gaz sont ouverts, position de fonctionnement ON.
- Consulter la section Diagnostic dans le Guide d'utilisation et d'entretien.

Si une assistance est nécessaire :

Pour toute question concernant le fonctionnement, le nettoyage ou l'entretien de la table de cuisson :

- Consulter le Guide d'utilisation et d'entretien.
- Contacter le Centre d'assistance aux consommateurs. Pour trouver le numéro de téléphone nécessaire, consulter le Guide d'utilisation et d'entretien, ou téléphoner au marchand chez qui l'appareil a été acheté. On trouve les coordonnées des concessionnaires dans l'annuaire téléphonique «Pages jaunes» à la rubrique Appareils ménagers –Service et réparations.

Pour obtenir des services de réparation :

Pour préserver la qualité incorporée à votre table de cuisson, contactez un établissement de service après-vente agréé.

Pour obtenir les coordonnées d'un établissement agréé de service après-vente :

- Contacter le concessionnaire chez qui l'appareil a été acheté.
- Chercher dans l'annuaire téléphonique «Pages jaunes» à la rubrique Appareils ménagers – Service et réparations; ou bien
- Contacter le centre d'assistance aux consommateurs. On trouve le numéro de téléphone dans le Guide d'utilisation et d'entretien.

Lors d'un appel, vous devrez communiquer

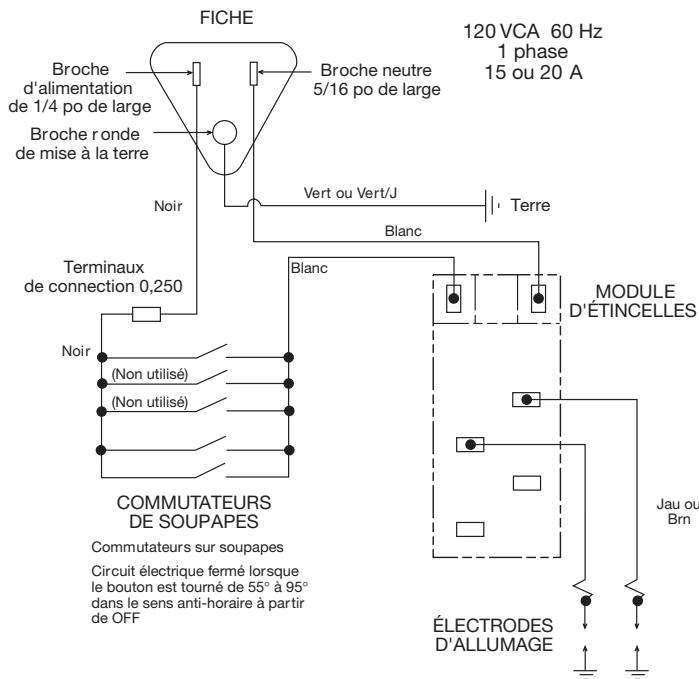
- le numéro de modèle de la table de cuisson
- le numéro de série de la table de cuisson.

On trouve ces deux numéros sur la plaque signalétique, en-dessous de la caisse de la table de cuisson.

Nettoyage et entretien

S'il est nécessaire d'enlever la table de cuisson pour des opérations de nettoyage ou d'entretien, fermer l'arrivée de gaz. Débrancher l'appareil de la canalisation de gaz et de la prise de courant. Ôter les brides de montage sur le côté droit et le côté gauche de la caisse. Après avoir déconnecté l'appareil de la canalisation de gaz et de la prise de courant, retirer l'appareil de son encastrement pour les opérations de nettoyage et d'entretien. Pour la réinstallation, exécuter les mêmes opérations dans l'ordre inverse, puis effectuer un test de recherche des fuites de gaz.

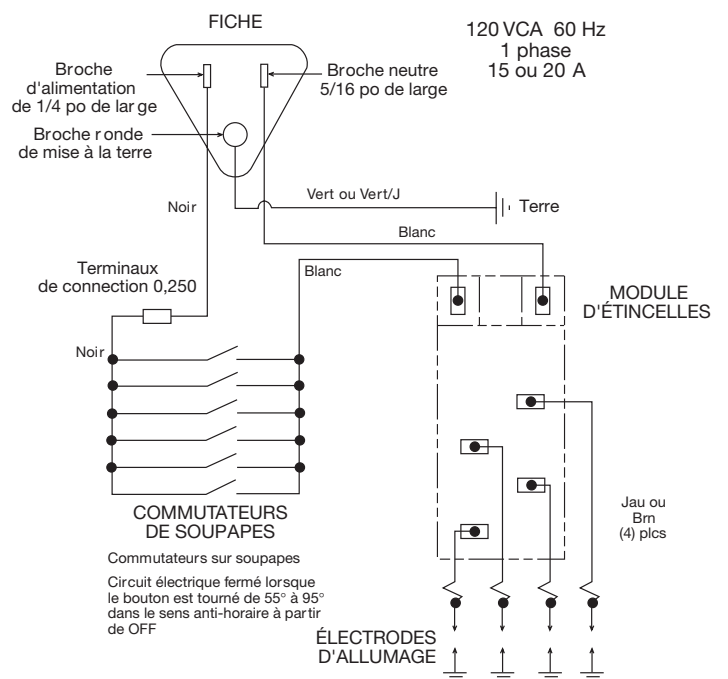
Le cordon d'alimentation de cet appareil est équipé d'une fiche de branchement à trois broches, (reliée à la terre) s'adaptant à une prise murale or dinaire à trois alvéoles, reliée à la terre.



Mise en grade : Étiqueter tous les fils avant la déconnexion pour la réparation des commandes. Les erreurs de câblage peuvent être la cause d'un fonctionnement incorrect et dangereux.

S'assurer du bon fonctionnement après la réparation.

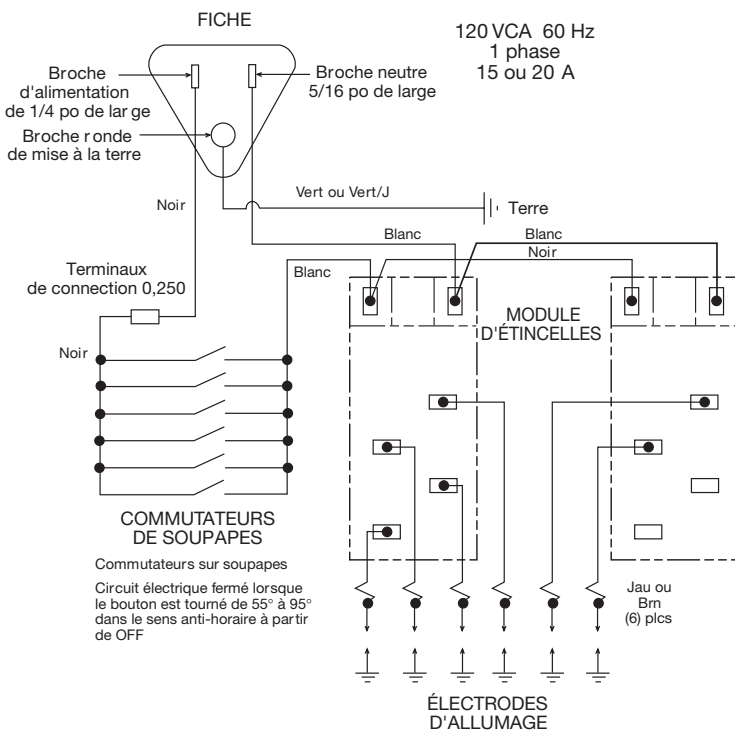
Le cordon d'alimentation de cet appareil est équipé d'une fiche de branchement à trois broches, (reliée à la terre) s'adaptant à une prise murale or dinaire à trois alvéoles, reliée à la terre.



Mise en grade : Étiqueter tous les fils avant la déconnexion pour la réparation des commandes. Les erreurs de câblage peuvent être la cause d'un fonctionnement incorrect et dangereux.

S'assurer du bon fonctionnement après la réparation.

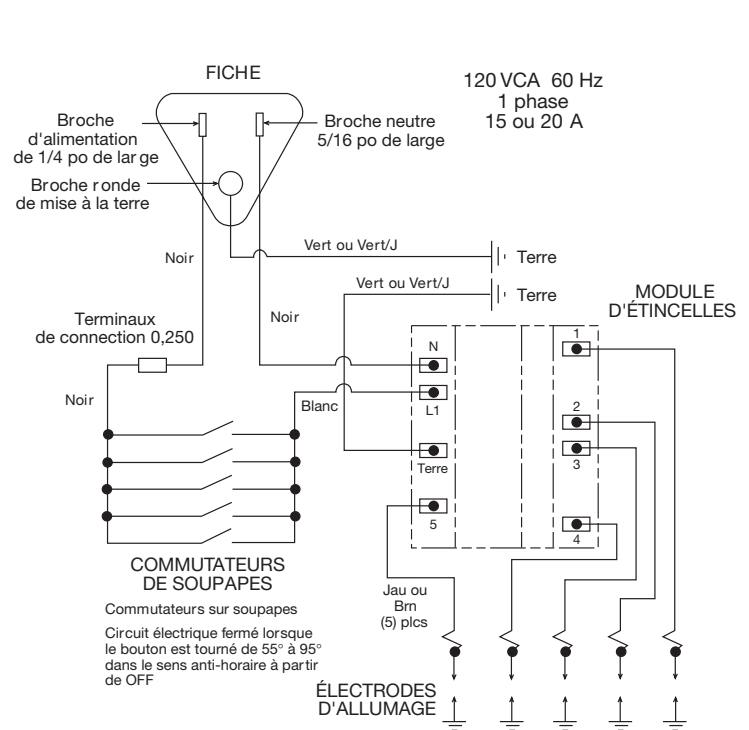
Le cordon d'alimentation de cet appareil est équipé d'une fiche de branchement à trois broches, (reliée à la terre) s'adaptant à une prise murale or dinaire à trois alvéoles, reliée à la terre.



Mise en grade : Étiqueter tous les fils avant la déconnexion pour la réparation des commandes. Les erreurs de câblage peuvent être la cause d'un fonctionnement incorrect et dangereux.

S'assurer du bon fonctionnement après la réparation.

Le cordon d'alimentation de cet appareil est équipé d'une fiche de branchement à trois broches, (reliée à la terre) s'adaptant à une prise murale or dinaire à trois alvéoles, reliée à la terre.



Mise en grade : Étiqueter tous les fils avant la déconnexion pour la réparation des commandes. Les erreurs de câblage peuvent être la cause d'un fonctionnement incorrect et dangereux.

S'assurer du bon fonctionnement après la réparation.