

**FEATURED MODEL**

441268 BLANCO SPEX II SUPER SINGLE Top Mount 4-hole

**ADDITIONAL MODELS**

- 441267 BLANCO SPEX II 1-3/4 Top Mount
- 441266 BLANCO SPEX II 1.6 Top Mount
- 441265 BLANCO SPEX II BAR BOWL Top Mount
- 441263 BLANCO SPEX II EQUAL DOUBLE Top Mount
- 441264 BLANCO SPEX II MEDIUM SINGLE Top Mount

**ACCESSORIES**

Grid: #227275

**FEATURES**

- BLANCO SPEX II offers classic styling and fine BLANCO craftsmanship at a price that bridges the gap between desirability and attainability.
- Impeccable design details, including polished bowl edge, soft to the touch bowl surface and sound deadening pads.
- Exceptional quality, exacting BLANCO standards, and unmatched value as only BLANCO can deliver in stainless steel.
- BLANCO's innovative Refined Brushed Finish (RBF) is superior to the standard American market finish, perfectly suits traditional American home décor, and is easy to clean and care for.
- Rail clip system ensures tight fit to countertop
- Premium 18/10 chrome/nickel content, 304 series stainless steel, in 20 gauge.

**CODE/STANDARDS COMPLIANCE**

ASME 112.19.3-00

IAPMO/UPC listed

**WARRANTY**

Blanco America's BLANCO SPEX II Drop-in series sinks feature a LIMITED LIFETIME WARRANTY to be free of all manufacturing defects under normal use. See our complete warranty for details.

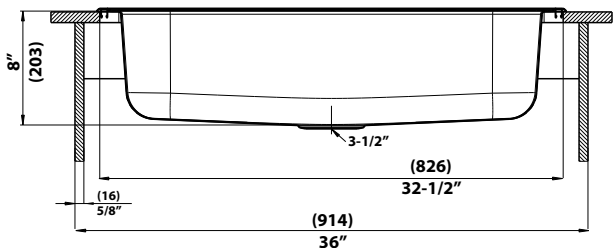
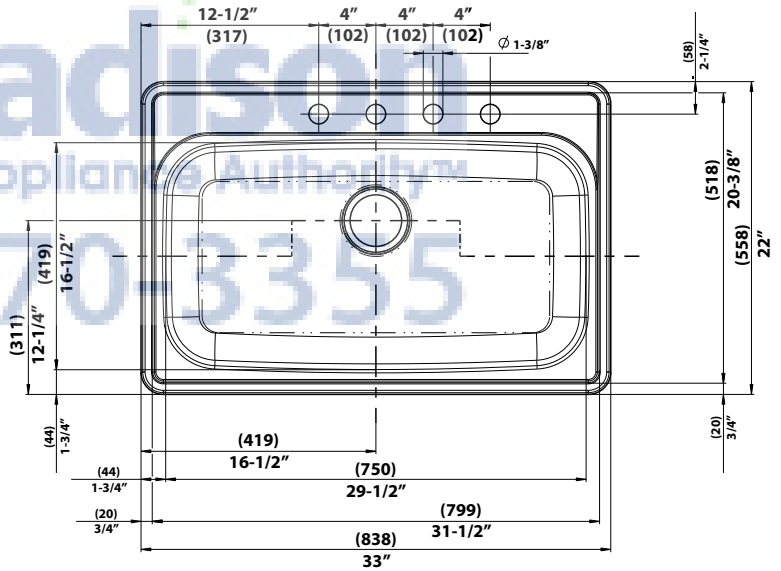
While Blanco America endeavors to provide accurate information, all dimensions are nominal, cannot be guaranteed, and are subject to change or cancellation. Blanco America assumes no responsibility for use of superseded or voided specifications.



**NOMINAL DIMENSIONS**

MODEL	OVERALL	BOWL DEPTH	DRAIN DIAMETER
441268	33" x 22"	8	3-1/2"

DXF cutout templates available on our web site.



**JOB INFORMATION**

Job Name: \_\_\_\_\_

Contact: \_\_\_\_\_

Date Specified: \_\_\_\_\_

Specifier: \_\_\_\_\_

Contractor: \_\_\_\_\_