

#### FEATURED MODEL

441183 CLASSIC NOUVEAU PULL OUT Kitchen CHROME

#### ADDITIONAL MODELS

441184 CLASSIC NOUVEAU PULL OUT Kitchen SATIN NICKEL

#### FEATURES

- Solid brass body
- Ceramic disc cartridge
- Color coded hot & cold supply lines
- Durable spiral flexible pullout spray hose
- Reversible mounting hardware adapts to thick or thin mounting surfaces
- 2.2 G.P.M. flow rate
- Installation in a 1-3/8" hole

#### CODE/STANDARDS COMPLIANCE

ASME A112.18.1M-2003

IAPMO Listed

**AB1953 Lead Free**

#### WARRANTY

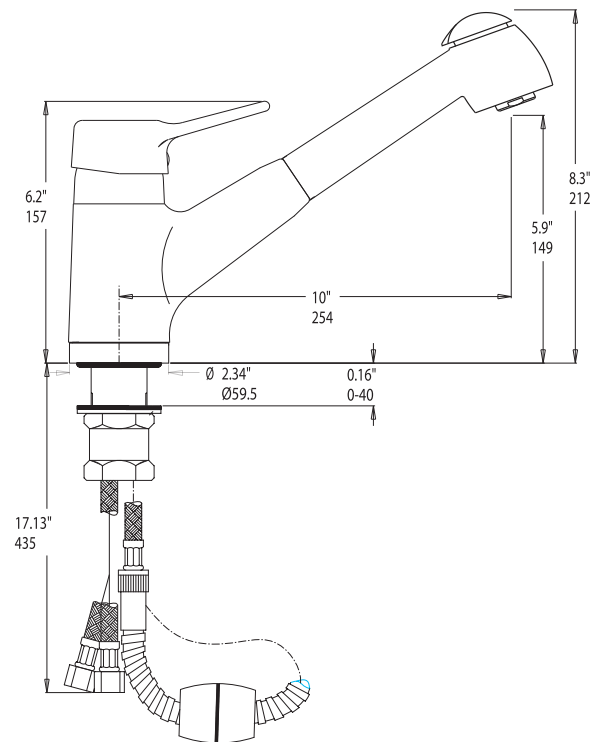
BLANCO FAUCETS feature a LIMITED LIFETIME WARRANTY to be free of all manufacturing defects under normal use. See our complete warranty for details.

While BLANCO endeavors to provide accurate information, all dimensions are nominal, cannot be guaranteed, and are subject to change or cancellation. BLANCO assumes no responsibility for use of superseded or voided specifications.



#### NOMINAL DIMENSIONS

REACH	SPOUT HEIGHT	FAUCET HEIGHT
10	5-1/2	6-5/8



See next page for exploded parts drawing and parts list.

#### JOB INFORMATION

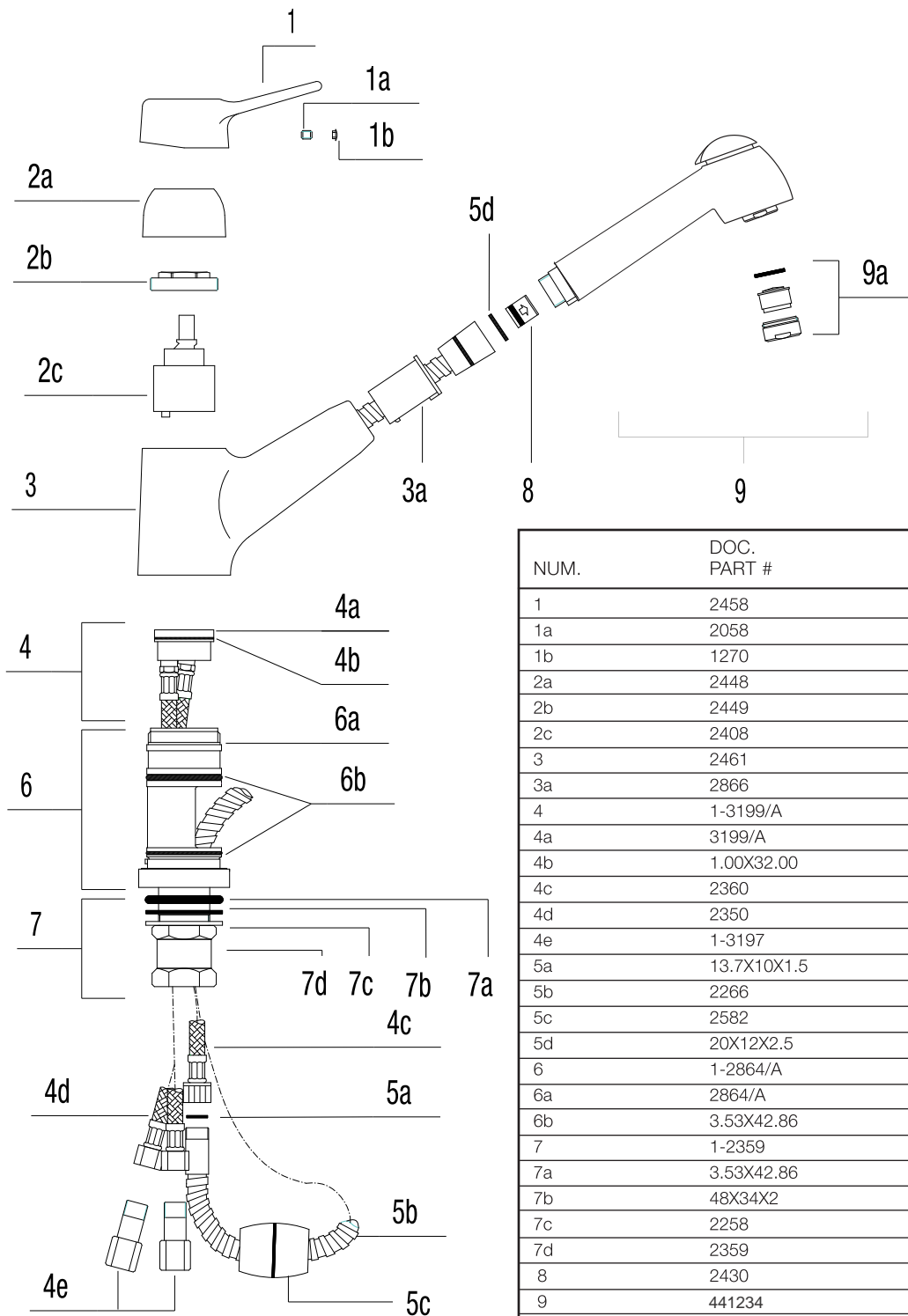
Job Name: \_\_\_\_\_

Contact: \_\_\_\_\_

Date Specified: \_\_\_\_\_

Specifier: \_\_\_\_\_

Contractor: \_\_\_\_\_



NUM.	DOC. PART #	DESCRIPTION
1	2458	LEVER
1a	2058	SCREW
1b	1270	BUTTON
2a	2448	CAP
2b	2449	NUT
2c	2408	CARTRIDGE
3	2461	BODY
3a	2866	PLASTIC INSERT
4	1-3199/A	INSERT ASSY
4a	3199/A	INSERT W/V.BREAKER
4b	1.00X32.00	O'RING
4c	2360	SUPPLY TUBE
4d	2350	HOSE
4e	1-3197	CHECK VALVE
5a	13.7X10X1.5	FIBER
5b	2266	HOSE
5c	2582	WEIGHT
5d	20X12X2.5	RUBBER WASHER
6	1-2864/A	INNER BODY ASSY
6a	2864/A	INNER BODY
6b	3.53X42.86	O'RING
7	1-2359	MOUNTING NUT ASSY
7a	3.53X42.86	O'RING
7b	48X34X2	RUBBER WASHER
7c	2258	METAL WASHER
7d	2359	NUT
8	2430	FLOW R.W/CHECK V
9	441234	PULL OUT SPRAY
9a	1-680	AERATOR SET