

FEATURED MODEL

441024 9" bowl depth

ADDITIONAL MODELS

441025 Medium Single Bowl

441026 Bar Single Bowl

FEATURES

- 18 gauge, 304 series stainless steel
- 18/10 chrome/nickel content
- Refined Brushed Finish (RBF)
- Easy to install in standard 25" countertop
- Rear drain placement

CODE/STANDARDS COMPLIANCE

ASME 112.19.3-00

IAPMO/UPC listed

OPTIONAL ACCESSORIES

Sink Grid: 515301

WARRANTY

Blanco America's BLANCO STELLAR sinks feature a LIMITED LIFETIME WARRANTY to be free of all manufacturing defects under normal use. See our complete warranty for details.

While Blanco America endeavors to provide accurate information, all dimensions are nominal, cannot be guaranteed, and are subject to change or cancellation. Blanco America assumes no responsibility for use of superseded or voided specifications.

PRODUCT SPECIFICATION

Undermount sink to be single bowl design, 28" in length and 18" in front-to-back depth. Sink to be made from 18 gauge, 304 series stainless steel, with 18/10 chrome/nickel content and long-lasting, easy-to-clean, Refined Brush Finish. Sink to feature rear drain placement. Sink to be Blanco Model 441024 with bowl depth of 9".

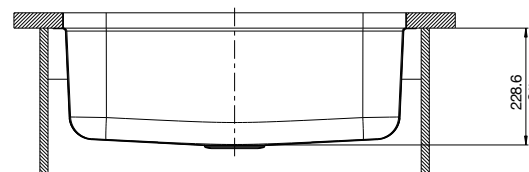
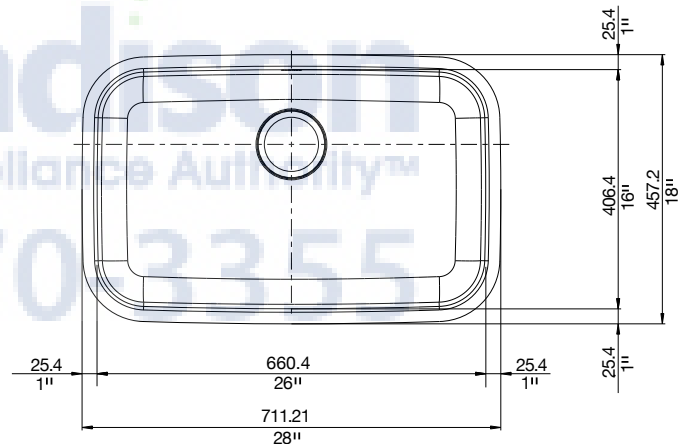


NOMINAL DIMENSIONS

MODEL 441024

MODEL	OVERALL	BOWL DEPTH	DRAIN DIAMETER
441024	28 x 18	9	3-1/2

DXF cutout templates available on our web site.



JOB INFORMATION

Job Name: _____

Contact: _____

Date Specified: _____

Specifier: _____

Contractor: _____

BLANCO AMERICA
800.451.5782
www.blancoamerica.com