

**FEATURED MODEL**

441023 9" left & 7" right bowl depths

**ADDITIONAL MODELS**

441261 Reverse 7" left & 9" right bowl depths

**FEATURES**

- 18 gauge, 304 series stainless steel
- 18/10 chrome/nickel content
- Refined Brushed Finish (RBF)
- Easy to install in standard 25" countertop
- Rear drain placement

**CODE/STANDARDS COMPLIANCE**

ASME 112.19.3-00  
 IAPMO/UPC listed

**OPTIONAL ACCESSORIES**

Sink Grids: 515300 (Large)  
 515297 (Small)

**WARRANTY**

Blanco America's BLANCO STELLAR sinks feature a LIMITED LIFETIME WARRANTY to be free of all manufacturing defects under normal use. See our complete warranty for details.

While Blanco America endeavors to provide accurate information, all dimensions are nominal, cannot be guaranteed, and are subject to change or cancellation. Blanco America assumes no responsibility for use of superseded or voided specifications.

**PRODUCT SPECIFICATION**

Undermount sink to be 1-3/4 bowl design, 32-1/3" in length and 20-1/2" in front-to-back depth. Sink to be made from 18 gauge, 304 series stainless steel, with 18/10 chrome/nickel content and long-lasting, easy-to-clean, Refined Brushed Finish. Sink to feature rear drain placement. Sink to be Blanco Model 441023 with left bowl depth of 9" and right bowl depth of 7".

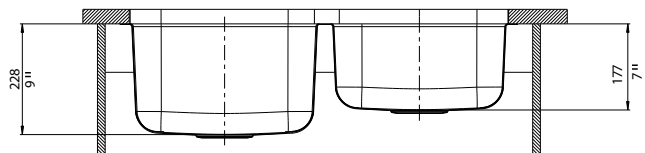
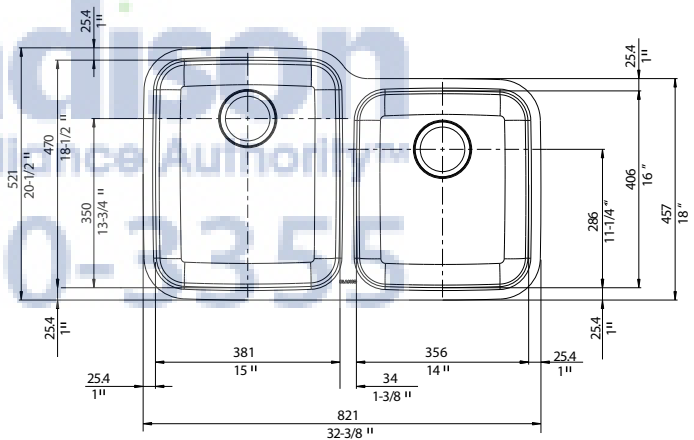


MODEL 441023

**NOMINAL DIMENSIONS**

MODEL	OVERALL	BOWL DEPTH		DRAIN DIAMETER
		LEFT	RIGHT	
441023	32-1/3 x 20-1/2	9	7	3-1/2

DXF cutout templates available on our web site.



**JOB INFORMATION**

Job Name: \_\_\_\_\_  
 Contact: \_\_\_\_\_  
 Date Specified: \_\_\_\_\_  
 Specifier: \_\_\_\_\_  
 Contractor: \_\_\_\_\_