



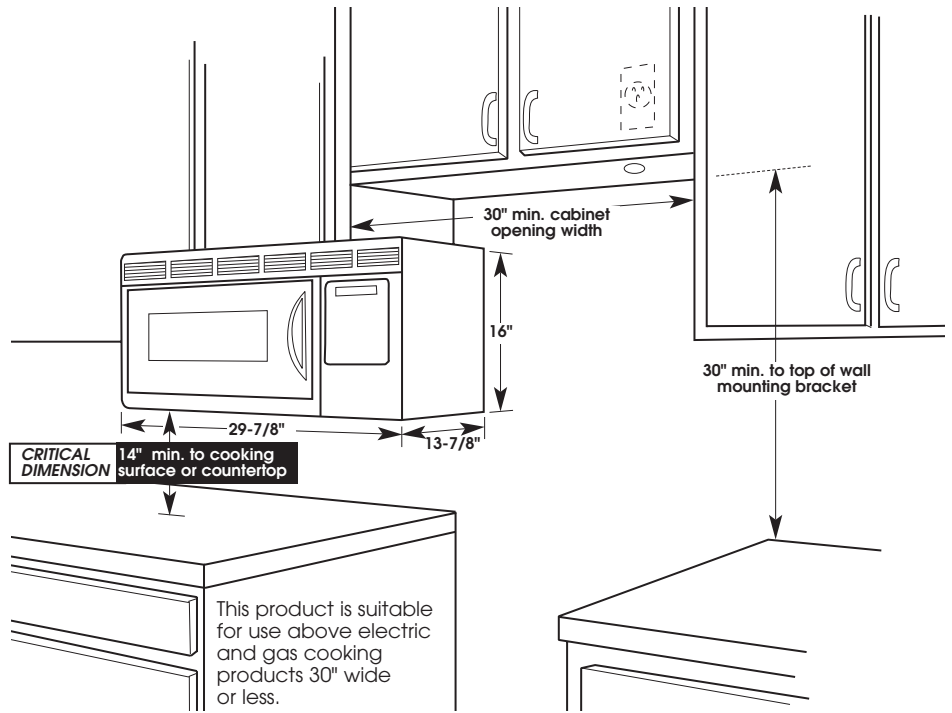
Microwave Oven Hood Combination

PRODUCT MODEL NUMBERS

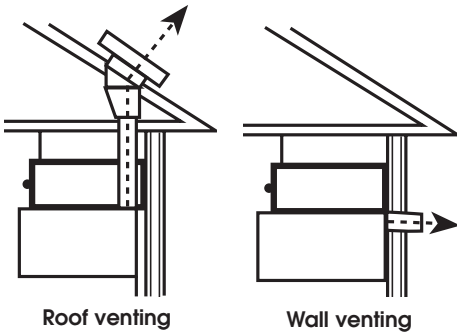
GH9115XE

Electrical: A 120-volt, 60-Hz, AC-only, 15- or 20-amp. electrical supply located in the upper cabinet as close as possible to the microwave oven hood. A time-delay fuse or circuit breaker and separate circuit is recommended.

OVERALL DIMENSIONS



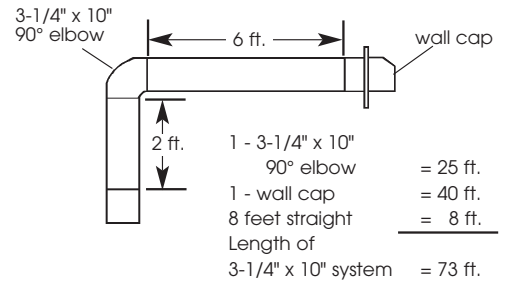
VENTING REQUIREMENTS



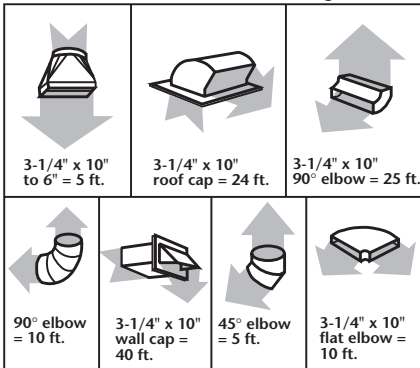
Recommended duct length

Use 3-1/4" x 10" or 6" duct. The total length of the duct system including straight duct, elbow, transitions, wall or roof caps must not exceed the equivalent of 140 feet of 3-1/4" x 10" rectangular or 6" diameter round duct. For best performance, use no more than three 90° elbows. To calculate the length of system you need, add the equivalent feet for each duct piece used in the system. See examples at right.

3-1/4" x 10" duct system



Recommended standard fittings



If the existing duct is round, a rectangular-to-round adapter must be used and a rectangular 3" extension duct between the damper assembly and the adapter must be installed to prevent sticking of the exhaust damper.

Use metal ductwork only. Rigid metal ductwork is recommended.

Flexible metal ductwork is Not recommended. If flexible metal ductwork is used, calculate each foot of flexible metal ductwork as two feet of straight metal ductwork. Flexible metal elbows count twice as much as standard elbows.

Determine which venting method (roof-venting or wall-venting) you need to use. This microwave oven hood is equipped for ventless (recirculating) installation.

The length of the ductwork and number of elbows should be kept to a minimum to provide efficient performance. The size of ductwork should be uniform. Do Not install two elbows together. Use duct tape to seal all joints in the duct system. Use caulking to seal exterior wall or roof opening around cap.

6" duct system

