

Installation
Operation
and
Maintenance
Instructions

Clear Ice Models
30iM
30iM outdoor



life. luxury. marvel.™

An AGA Company

TABLE OF CONTENTS

Starting Out	3
Installation	4
Installation: Drain Plumbing	5
Water Supply	6
Care of the Unit	7
Caring for Your Ice Machine.....	8
Things to Remember.....	9
Door Alterations.....	10
Obtaining Service	11
Warranty	12
Troubleshooting.....	13-16
Service Parts Diagrams & Part Lists	17-24
Preparing Your Ice Machine for Storage.....	25

STARTING OUT

Remove Packaging

Your ice machine has been packed for shipment with all parts that could be damaged by movement securely fastened. Before installing the ice machine, be sure all packing materials and tape have been removed.

Important

Save the carton packaging until your ice machine has been thoroughly inspected and found to be in good condition. If there is damage, the packaging will be needed as proof of damage sustained in transit.

Note to Customer

This ice machine was carefully packed and thoroughly inspected before leaving our plant. Responsibility for its safe delivery was assumed by the carrier upon acceptance of the shipment. As directed on the side of the packaging carton, claims for loss or damage sustained in transit must be made on the carrier as follows:

Exterior Damage

Make a thorough damage notation on the delivery receipt and have the driver acknowledge by signing and dating. Send a written request to the carrier asking for an inspection report from the carrier representative and the date the inspection was requested. Retain the inspection report and receipt for filing of a claim.

Concealed Damage

This must be reported to the carrier within fifteen days. Obtain an inspection report from the carrier. Retain the inspection report for filing of the claim. **DO NOT RETURN DAMAGED MERCHANDISE TO THE MANUFACTURER - FILE THE CLAIM WITH THE CARRIER.**

INSTALLATION

Select Location

The proper location will ensure peak performance of your ice machine. Choose a location away from heat and out of direct sunlight. Best performance will be maintained when installed within the following parameters:

Ideal Ambient Temperature Range*	
built-in	55-80°F
freestanding	55-90°F

* Ice Machine will not perform correctly in ambient temperatures less than 55°F.

Cabinet Clearance

Ventilation is required for the bottom front section of the unit where the grille is located. Keep this area open and clear of any obstructions.

Adjacent cabinets and countertop can be built around the unit as long as no top trim or countertop is installed lower than the top of the hinge. Make certain that the glides supplied with the ice machine are installed according to instructions. Make certain your ice machine is level. Leveling adjustments can be made by raising or lowering the glides on the bottom of the unit.

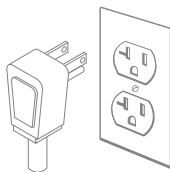
Electrical Connection

Check the serial nameplate for the correct power supply. Use only the electrical power supply specified on the serial nameplate on the back of the door. Do not use an extension cord.

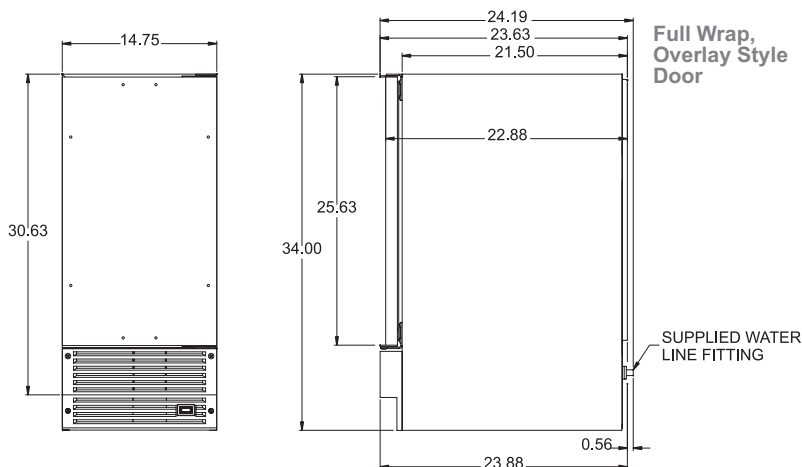
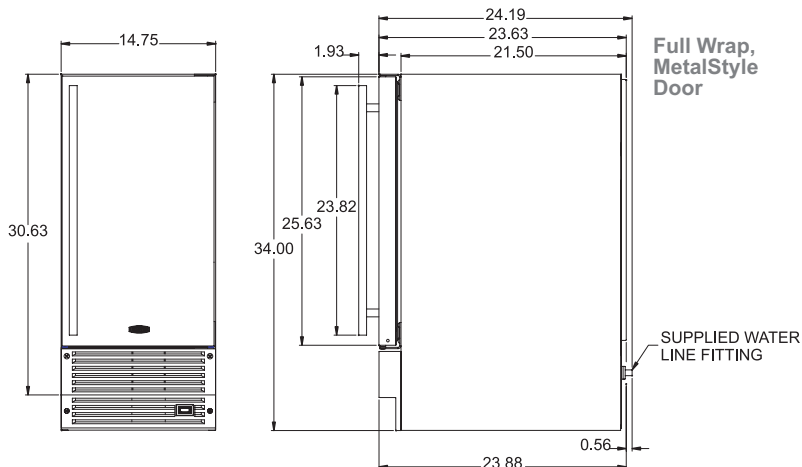
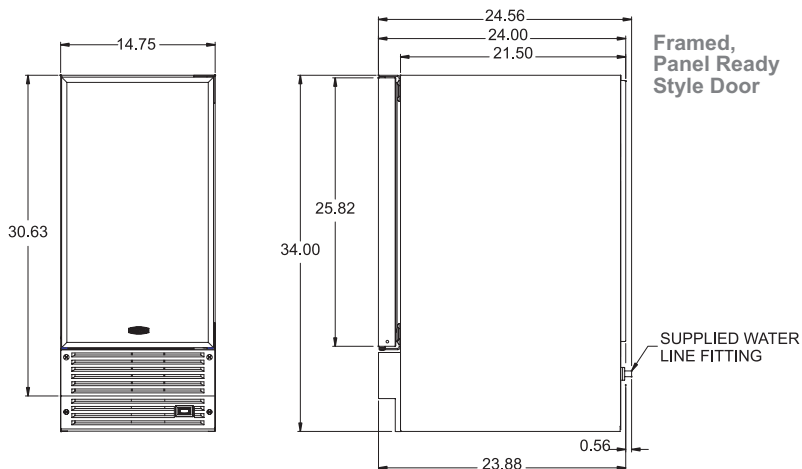
Grounding Method

This ice machine is equipped with a power supply cord with ground. It must be plugged into a mating grounding type receptacle in accordance with the National Electrical Code and applicable local codes and ordinances.

Note: The plug shown is for 115VAC unit. The prongs on your model may vary from that shown if your unit is other than 115VAC.



THIS UNIT SHOULD NOT, UNDER ANY CIRCUMSTANCES, BE UNGROUNDED.



INSTALLATION: DRAIN PLUMBING

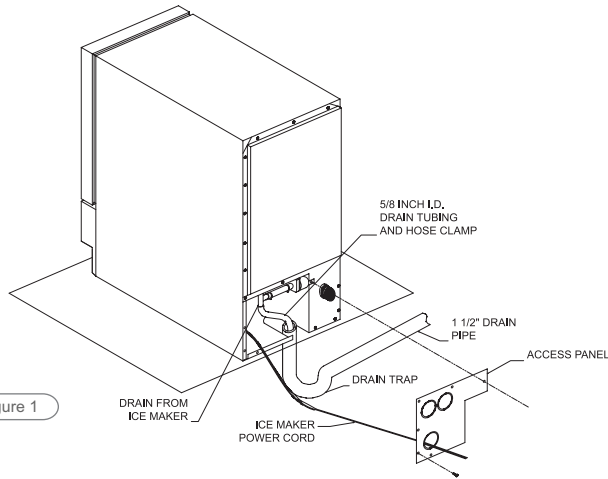


figure 1

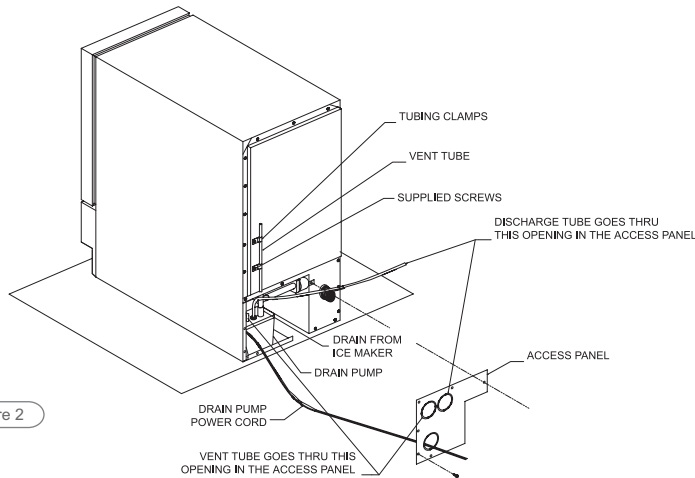


figure 2

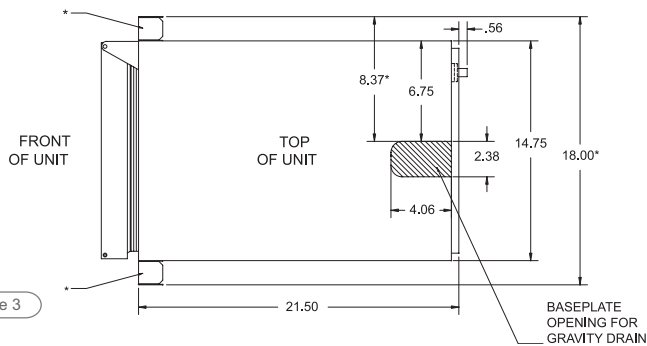


figure 3

Gravity Drain Location
* With optional filler kit

Drain Plumbing

Your ice machine uses a gravity drain, (figure 1) that requires 5/8" I.D. tubing from the back of the ice machine to a plumbed connection to a sanitary sewer. Remove the access panel to plumb in drain connection. Gravity drain location for built-in units can be within the area shown in figure 3. An optional drain pump, (figure 2) can be purchased for your ice machine if a gravity drain is not accessible.

OBSERVE AND FOLLOW ALL LOCAL CODES WHEN INSTALLING ICE MACHINE.

WARNING

FAILURE TO USE ADEQUATE DRAINAGE SYSTEM WILL RESULT IN SURROUNDING WATER DAMAGE AND/OR POOR ICE PRODUCTION.

WATER SUPPLY

Water Supply

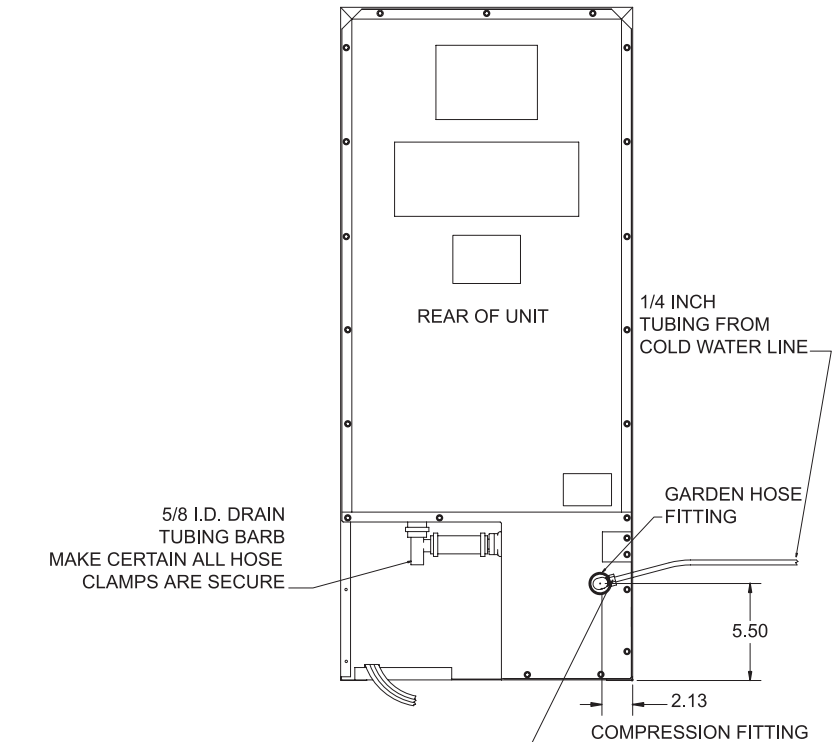
This ice machine must be connected to a potable, active cold water supply line delivering water pressure at a minimum of 20 psi and maximum of 120 psi.

- Water connection is made through a right angle garden hose fitting supplied with ice machine. See garden hose fitting for detailed instruction sheet. Do not use any thread sealers.
- A water filter can be used with this unit. A quality filter can help remove particles as well as remove taste and odors from water.
- Do not use a “reverse osmosis” filtering device.
- Softened water is not recommended. This will produce soft, cloudy ice cubes that will stick together.
- De-ionized water is not recommended. This water will not form solid ice cubes.
- A water specialist can recommend proper water treatment.
- After installation of water line, turn on water and check for any leaks. Additional tightening may be needed.
- Allow for extra water line for built-in installations for easy removal of unit and to help prevent the water line from kinking.

Operation

Your ice machine is unique in forming ice. It uses fractional freezing to form a slab of ice that is clear and has less mineral content than the water it is produced from. This is accomplished by running water over the cold evaporator plate which gradually freezes the water to produce the ice slab. Mineral deposits are left in the reservoir.

When the ice slab reaches the correct thickness determined by the temperature of the evaporator plate, the electronic control switches to the harvest cycle to harvest the ice. During the harvest cycle, the ice slab falls from the evaporator to the ice grid cutter. Here, the ice slab is cut into 3/4"



squares by the grid cutter's heated wires. During the harvest cycle, the drain valve will remain open for 45 seconds to drain the reservoir of remaining deposits. After that, the water valve open will open for 2 minutes providing 2 quarts of water to the reservoir for the next ice production cycle.

The ice machine will keep producing ice until the ice machine's bin is full and will restart automatically when ice needs to be replenished in the bin.

CARE OF THE UNIT

Care of Unit

1. Avoid leaning on the cabinet door. You may bend the door hinge or tip the unit.
2. Exercise caution when sweeping, vacuuming, or mopping near the front of the unit. Damage to the grille and/or switch can occur.
3. Periodically clean the inside of the ice machine components and inside of unit (see Cleaning Your Ice Machine section).
4. Periodically check and/or clean the front grille and condenser coils as needed.
5. If your ice machine has either a stainless steel door and/or cabinet, to keep it looking its best, we recommend periodically applying a stainless steel cleaner and a non-abrasive stainless steel polish. This is especially important for outdoor applications and locations near salt-water environments.

Normal Responsibilities of the Owner

- All freight charges
- Damage sustained in transit
- Mileage charge(s) for service calls
- Proper installation including installation of leveling legs.
- Leveling of unit.
- Alterations to original equipment
- Removal or installation of additional equipment (i.e. drain pump).
- Cleaning and normal maintenance outlined in this manual.
- Drain and water supply plumbing to the ice machine.

Help Prevent Tragedies

Each year, children die because they climb inside a discarded refrigeration product, get trapped inside and suffocate. Take precautions to prevent such tragedies by removing the door, taping or chaining it shut before discarding.

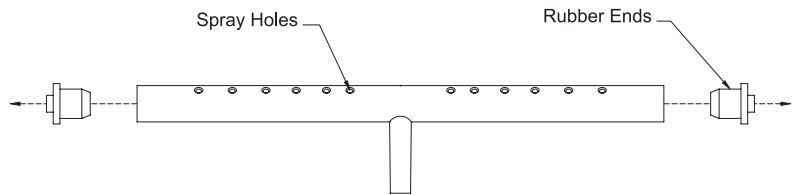
CARING FOR YOUR ICE MACHINE

Cleaning Your Ice Machine

Some impurities will remain and build up in the ice machine and stick to the ice machine's parts over time. This build-up must be removed for proper ice production, ice quality, and ice machine life. Your ice machine is equipped with a cleaning mode that will help in cleaning out these impurities.

The impurities will need to be cleaned of this build-up regularly (at the very least, annually), depending on use and water hardness. You can use an acid such as one specified for ice machine cleaning or you can use citric acid to remove the build-up. To clean the ice machine:

1. Switch the selector switch to the "OFF" position.
2. Remove the drain plug at the bottom of the reservoir to drain any remaining water and then reinstall.
3. Add the recommend cleaner solution to the reservoir of the ice machine. Access to the reservoir can be obtained by removing the front panel screws and the front panel. Determine the proper amount of cleaner from the ice machine cleaner manufacturer's mixture ratio based on 3 quarts of water (refer to manufacturer's directions).
4. Replace the front cover panel and close the door.
5. Switch the selector switch on the grille of the ice machine to the clean position. Three quarts of water will automatically be added to the cleaning solution.
6. The total cleaning time will end in 49 minutes. The cleaning cycle will automatically rinse the evaporator plate and also drain the cleaning solution and rinse water.
7. After the cleaning cycle has ended, remove the front panel again and check that the build-up has been removed. The evaporator plate should be clean, shiny, and smooth to the touch. If build-up is still visible, repeat the cleaning cycle above. If build-up is removed, continue below.
8. Remove the distributor tube, hose clamp, hose and its rubber ends.
9. Thoroughly clean the inside of the distributor tube and the spray holes. You can use the same cleaning solution as before and an old toothbrush to reach the inside of the distributor tube.
10. Reinstall the rubber ends, hose, and hose clamp to the distributor and then reinstall the distributor tube to the evaporator with the spray holes pointed to the bottom of the evaporator plate. Reinstall the front cover panel with the two front panel screws.
11. Clean the ice machine's interior, ice scoop, interior door panel and door gasket with mild soap and water. Using two tablespoons of baking soda in one quart of warm water while cleaning will help remove odors. Rinse with fresh water. Do not use any abrasive cleaning products.



WARNING

Read manufacturer's warnings on ice machine cleaner products. Personal injury can result.

Your ice machine is now clean and sanitized and may be put back into operation by switching the selector switch to the "ON" position.

THINGS TO REMEMBER

Things to Remember

- Allow your ice machine to run for 24-48 hours to accumulate ice in ice machine's bin.
- Unit will cycle often between ice production and ice harvest cycles.
- Your unit will automatically shut down when the ice bin is full.
- Unplug your ice machine before working on unit.
- Keep your ice machine clean for proper ice quality, production, and unit life.
- Room and water temperatures will greatly affect the output of ice in your unit (see table). Ice will also melt away, especially at the start of an empty bin, but will slow down as ice accumulates.

PRODUCTION RATE (LB/DAY)*

WATER TEMPERATURE °F

ROOM TEMPERATURE °F

	50	70
70	34	32
80	30	27
90	23	20

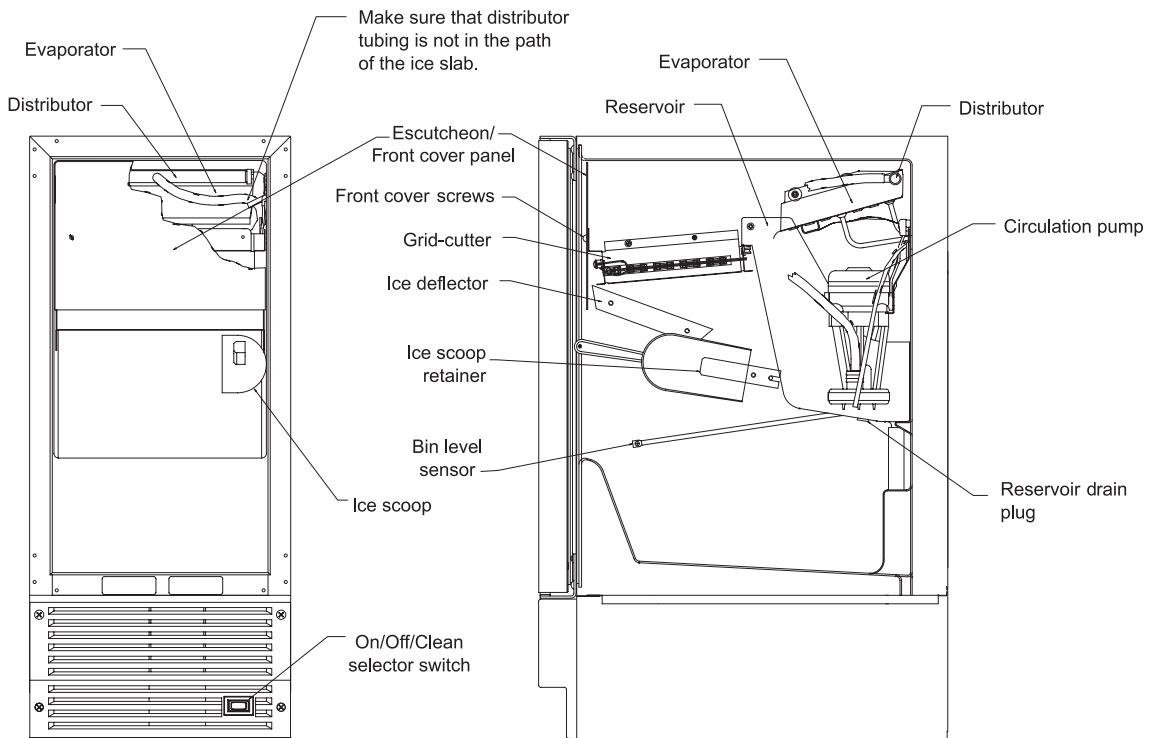
APPROXIMATE TIME TO FILL BIN (HOURS)*

WATER TEMPERATURE °F

ROOM TEMPERATURE °F

	50	70
70	31	34
80	41	58
90	60	82

*NOTE: DUE TO VARIABLES IN INSTALLATION AND USE, INDIVIDUAL RESULTS MAY VARY.



Optional Door Handle Installation for Panel Ready Doors (for units without door handle attached)

The door handle for certain doors may be packed inside your ice machine and can be mounted on the top or side of your refrigerator door. Locate the handle where it is convenient for you. You will need a 1/4" hex head driver to install the handle. Place the handle on the outside surface of the door. Push gently inward toward the door until the handle snaps in place. Use the two screws supplied to secure the handle to the door frame by tightening the screws into the holes on the backside of the handle. Tighten the screws until the tips of the screws touch the bottom of the backside of the door frame. Your installation is complete.

Reversing the Door

You may want to change the side on which the door opens and closes. This can be changed by the following steps.

1. Remove the door by removing the top hinge pin and angling the door off of the bottom hinge pin.
2. Gently pry out the hole plugs on the side which the hinges will be mounted. A thin knife will usually allow the hole plug to be removed just enough to pull the rest of the way out by hand. Do not destroy these plugs because they will be used on the other side of the unit.
3. Remove the hinges from the unit.
4. Remove the hinge pin from the bottom hinge that was removed. Install this pin on the other hinge that was also removed.
5. Install the hinges on the desired side of the unit.
6. Install the door by inserting the bottom door bushing with the bottom hinge pin and angling door in until top door bushing and hinge line up. Install the upper hinge pin.
7. Install the hole plugs from step 2 in holes.

OBTAINING SERVICE

Before Calling for Service

Before calling for service, check the following items:

- Make sure unit is plugged into outlet.
- Check the outlet for power. Test outlet with lamp to make certain outlet has power.
- Make sure ice machine's switch is in the "ON" position.
- Make sure that there is *cold* water supplied to the ice machine.
- Make sure drain plug on bottom of reservoir is inserted.
- Make certain unit is level from front to back and side to side.
- Make certain that the drain line to the ice machine is not restricted or kinked.
- Use troubleshooting guide, pages 13-16 for other diagnosis.


If you are not able to correct the problem, contact your dealer or the manufacturer. Be sure to have the model number and the serial number handy before you call. The model and the serial number are located on the lower front part of the ice machine's cabinet.

How to Obtain Service

Your ice machine requires little service because the best and most up-to-date materials, equipment and quality control methods are employed throughout the manufacturing process.

If trouble occurs during normal operation, read "Things to remember" section first and, if necessary, check the troubleshooting guide. If service becomes necessary:

1. If the product is within the first year warranty period, please call Marvel Customer Service at 800-428-6644 for directions on how to obtain warranty coverage in your area.
2. If the product is outside of the first year warranty period, Marvel Customer Service can provide recommendations of service centers in your area. A listing of authorized service centers is also available at www.marvelindustries.com under the service and support option.
3. In all correspondence regarding service, be sure to give the model number, serial number and proof of purchase.
4. Try to have information or description of the nature of the problem, how long the unit has been running, the room temperature, water temperatures, and any additional information that may be helpful in quickly solving the problem.

 **IMPORTANT**
SEND IN YOUR WARRANTY RECORD CARD IMMEDIATELY AFTER TAKING DELIVERY OF YOUR ICE MACHINE.

Every new ice machine that leaves the factory contains this Owner's Guide. Keep this Owner's Guide in a safe place for convenient reference.

For Your Records

Date of Purchase		
Dealer's Name		
Dealer's Address		
Dealer's city	Dealer's State	Zip
Appliance Serial Number		
Model Number		
Date Warranty Card Mailed (within 10 days of purchase)		

Entire Product

Limited One Year Parts and Labor Warranty

Marvel warrants that it will supply all necessary parts and labor to repair or replace in the end user's home or office, any component which proves to be defective in material or workmanship, subject to the condition and exclusions stated below, for a period of one year from the date of purchase by the end user.

Additional Second Through Fifth Year

Limited Parts Only Warranty

During the four years following expiration of the one year limited warranty, Marvel will supply replacement parts for the hermetically sealed refrigeration system which consists of the compressor, condenser, drier, accumulator, by-pass valve, connecting tubing and the evaporator that are proven to be defective due to workmanship or materials subject to the conditions and exclusions below.

The above warranties do not cover:

- Shipping costs of replacement parts or returned defective parts.
- Customer education or instructions on how to use the appliance.
- Any content loss due to product failure.
- Removal or installation.

Nor do the above warranties cover failure of this product or its components due to:

1. Transportation or subsequent damages.
2. Use commercially or use other than normal household or small office.
3. Improper installation, misuse, abuse, accident or alteration, use on wiring not conforming to electrical codes, low or high voltages, failure to provide necessary maintenance, or other unreasonable use.

Parts or Service

Not Supplied or Designated by Marvel

The above warranties also do not apply if:

The original bill of sale, deliver date or serial number cannot be verified.

Defective parts are not returned for inspection if so requested by Marvel.

The refrigeration equipment is not in the possession of the original end use purchaser.

The warranties set forth herein are the only warranties extended by Marvel Industries. Any implied warranties, including the implied warranty of merchantability, are limited to the duration of these express warranties. In no event shall Marvel Industries be liable for any consequential or incidental damages or expenses resulting from breach of these or any other warranties, whether express or implied.

Some states do not allow the exclusion or limitation of consequential damages or a limitation on how long an implied warranty lasts, so the above exclusion or limitation may not apply to you. This warranty gives you specific legal rights and you may have other rights that may vary from state to state.

No person, firm, or corporation is authorized to make any other warranty or assume any other obligation for Marvel Industries. These warranties apply only to products used in any of the fifty states of the United States and the District of Columbia.

To obtain performance of this warranty, report any defects to:

Marvel Industries
P.O. Box 997
Richmond, Indiana 47375-0997
Phone: 765-962-2521

TROUBLESHOOTING ONE

PROBLEM	POSSIBLE CAUSE	CORRECTION
Unit does not operate.	The unit is unplugged.	Plug in the unit.
	Breaker is tripped or fuse is blown.	Reset breaker or replace fuse. Check to make sure there is not a short in the electrical circuit.
	Ice machine selector switch is in the "OFF" position.	Set the rocker switch on the grille of the ice machine to the "ON" position.
Unit operates but does not produce any ice.	The unit has just been started and it has been less than 6 hours.	Ice produced when the unit is initially started will melt off in the bin. Ice will accumulate in the bin. In 6 hours there can be a few cubes in the bin. This is normal operation.
	Typical ice production cycle can take up to 1.5 hours. Initial startup cycles can be longer.	Check the unit in 24 hours for ice accumulation in the bin.
	The selector switch is in the "OFF" or "CLEAN" position.	Set the rocker switch on the grille of the ice machine to the "ON" position.
	No water in the reservoir.	Make sure that the reservoir drain plug is installed. Check the water line to the unit to make sure it is on and that there are no restrictions or kinks in the line. Check all filters to make sure they are not restricted or plugged.
	Distributor tube is restricted.	See "CLEANING YOUR ICE MACHINE" section for cleaning the unit for proper operation.
	Build up of deposits on evaporator plate.	See "CLEANING YOUR ICE MACHINE" section for cleaning the unit for proper operation.
	Condenser fan air flow is restricted.	Make certain the grille in the front of the unit is free and open for proper air circulation. Check and clean the condenser coil by removing the grille in the front of the unit.
	Room and/or water temperature is too warm.	Clean the condenser with a vacuum and brush attachment. Move the unit to an area where ambient temperature is below 90°. F. The unit should not be placed next to a heat source such as an oven. Check for cold water connection.
	Leaking drain valve.	See "CLEANING YOUR ICE MACHINE" section for cleaning the unit. This will also dissolve and flush out foreign material in the drain valve causing it to leak.
	Inadequate drain system.	Restriction in drain lines will cause ice in the bin to melt. If using a gravity drain, make certain there are no kinks or restrictions in the drain lines. If using a drain pump, check the inlet screen, discharge line, and vent line for any build or restrictions.
	Grid cutter is unplugged.	Plug in the grid cutter so that ice slabs can be cut into cube.
Circulation pump is unplugged.	Plug in the circulation pump so that water from the reservoir can be circulated over the evaporation plate.	

TROUBLESHOOTING TWO

PROBLEM	POSSIBLE CAUSE	CORRECTION
Ice cubes are too small (less than 1/2 inch thick).	Low ice consumption.	Ice is slowly melting in the ice bin and will affect the size of the ice cube. This is normal operation. When the ice bin needs to be replenished, cubes will return to regular size.
	Not enough water in reservoir.	Make sure that the reservoir drain plug is installed properly. Check the water line to the unit to make sure there are no restrictions or kinks in the line. Check all filters to make sure they are not restricted or plugged.
	Distributor tube is restricted.	See "CLEANING YOUR ICE MACHINE" section for cleaning the unit for proper operation.
	Build up of deposits on evaporator plate.	See "CLEANING YOUR ICE MACHINE" section for cleaning the unit for proper operation and cube size.
	Inadequate drain system.	Restriction in drain lines will cause ice in the bin to melt to a thinner cube. If using a gravity drain, make certain there are no kinks or restrictions in the drain lines. If using a drain pump, check the inlet screen, discharge line, and vent line for any build-up or restrictions.
	Leaking drain valve.	See "CLEANING YOUR ICE MACHINE" section for cleaning the unit. This will also dissolve and flush out foreign material in the drain valve causing it to leak.
	Room temperature is too warm.	Move to an area where temperature is below 90° F.
Ice cubes are too big (greater than 3/4 inch thick).	Ice slab not releasing.	See "CLEANING YOUR ICE MACHINE" section for cleaning the unit for proper operation and cube size.
	Condenser fan air flow is restricted.	Make certain the grille in the front of the unit is free and open for proper air circulation. Check and clean the condenser coil by removing the grille in the front of the unit. Clean the condenser with a vacuum and brush attachment.
	Room temperature is too warm.	Move to an area where temperature is below 90° F.
Hollow ice slab.	Distributor tube is restricted.	See "CLEANING YOUR ICE MACHINE" section for cleaning the unit for proper operation.
	Build up of deposits on evaporator plate.	See "CLEANING YOUR ICE MACHINE" section for cleaning the unit for proper operation and cube size.
	Low water level in reservoir.	Make sure that the reservoir drain plug is installed properly. Check the water line to the unit to make sure there are no restrictions or kinks in the line. Check all filters to make sure they are not restricted or plugged.

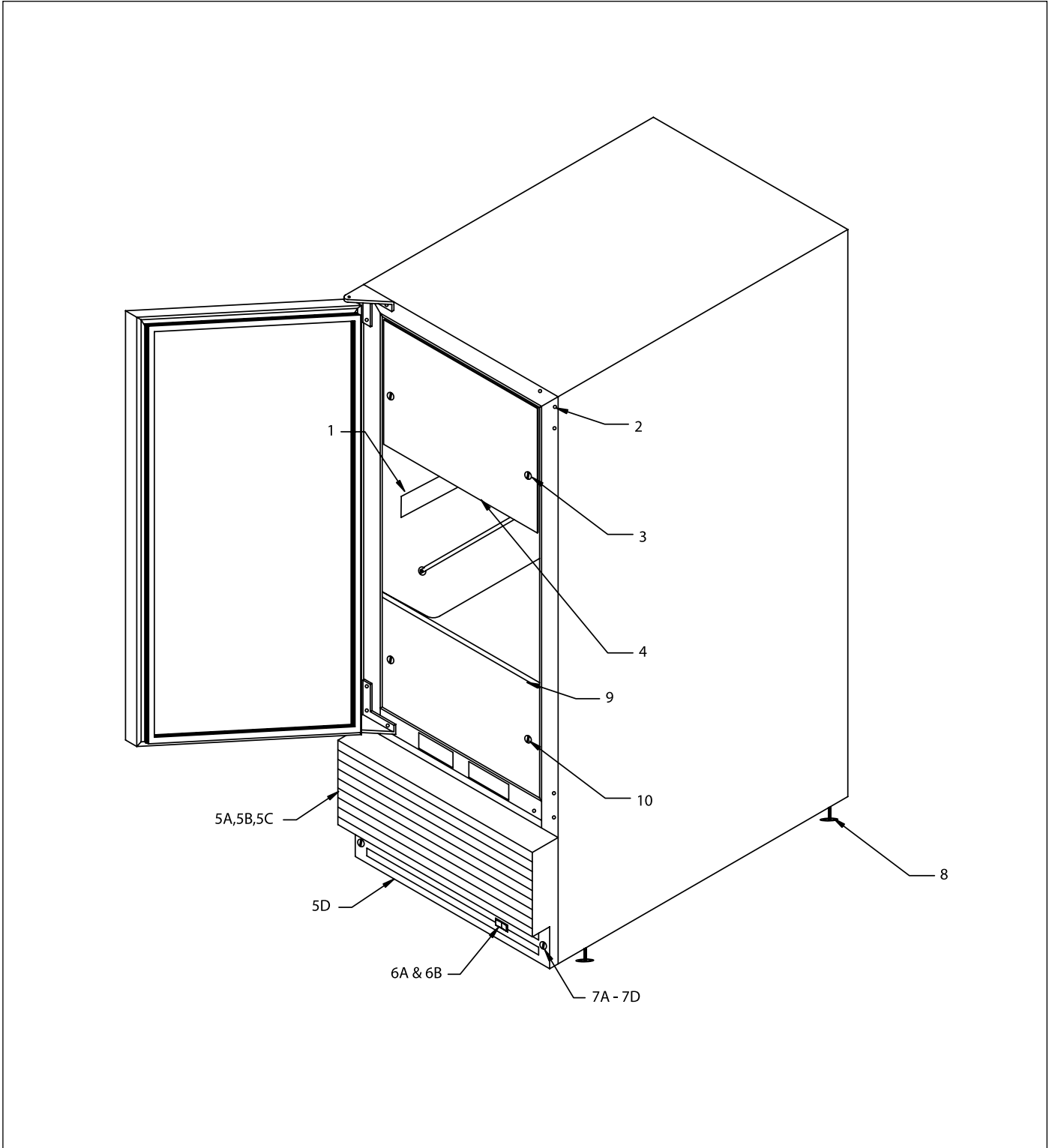
TROUBLESHOOTING THREE

PROBLEM	POSSIBLE CAUSE	CORRECTION
Ice is not clear.	Low water level in reservoir.	Make sure that the reservoir drain plug is installed properly. Check the water line to the unit to make sure there are no restrictions or kinks in the line. Check all filters to make sure they are not restricted or plugged.
	Softened water supply.	Make certain that water line is not connected to the water softener.
	Room temperature is too cold.	Move the unit to an area where room temperature is above 55° F.
Low ice production. Unit is running, has run over a 48 hour period, and there is little ice in bin.	Low water level in reservoir.	Make sure that the reservoir drain plug is installed properly.
	Distributor tube is restricted.	Check the water line to the unit to make sure there are no restrictions or kinks in the line. Check all filters to make sure they are not restricted or plugged.
	Build up of deposits on evaporator plate.	See "CLEANING YOUR ICE MACHINE" section for cleaning the unit for proper operation.
	Inadequate drain system.	Restriction in drain lines will cause ice in the bin to melt. If using a gravity drain, make certain there are no kinks or restrictions in the drain lines. If using a drain pump, check the inlet screen, discharge line, and vent line for any build-up or restrictions.
	Condenser fan air flow is restricted.	Make certain the grille in the front of the unit is free and open for proper air circulation. Check and clean the condenser coil by removing the grille in the front of the unit. Clean the condenser with a vacuum and brush attachment.
Unit continues to run and produce ice.	Ice bin is not full.	The unit will automatically shut down when ice reaches the sensing tube.
	Ice bin is full.	The unit will automatically shut down when ice reaches the sensing tube and has completed the harvest of the ice slab.
	Room temperature is too warm.	Move the unit to an area where room temperature is below 90° F.
	Ice machine is not level.	Use a level to check the unit for level from side to side and front to rear.
Grid-cutter is not cutting the ice slab.	The selector switch is not in the "ON" position.	Set the rocker switch on the grille of the ice machine to the "ON" position.
	The grid cutter is not plugged into the receptacle.	Remove the escutcheon panel and plug the grid-cutter into the receptacle on the side of the line.
	Time to cut through the slab	It can take up to 35 minutes to cut through a harvested ice slab. This is normal operation.

TROUBLESHOOTING FOUR

PROBLEM	POSSIBLE CAUSE	CORRECTION
Ice cubes are sticking together.	Ice consumption is low.	Use the ice in the bin frequently. Ice will stick together if left in insulated bin over long periods of time.
	Room temperature is too warm.	Move the unit to an area where temperature is below 90° F.
Ice level is too high.	The ice machine is not level.	Use a level to check the unit for level from side to side and front to rear.
	Room temperature is too warm.	Move the unit to an area where temperature is below 90° F.
	Ice deflector is not in place or secured properly.	Check to see that the ice deflector is in place and secured below the grid-cutter.
	Bin level sensing tube needs adjusted.	You can adjust the bin level sensing tube by simply pressing directly down on the tube 5 inches from the front of the tube to get a desired bin level.
Ice level is too low.	The ice machine is not level.	Use a level to check the unit for level from side to side and front to rear.
	Room temperature is too cold.	Move the unit to an area where temperature is above 55° F.
	The selector switch is not in the "ON" position	Set the rocker switch on the grille of the ice machine to the "ON" position.
Water keeps backing up into the ice bin (gravity drain).	Inadequate drain system.	Restriction or improperly installed drain lines will cause water to back up into the ice bin. Make certain there are no kinks or restrictions in the drain lines. If necessary, consult a qualified plumber.
	Foreign material in ice bin drain.	Foreign material is restricting or blocking the ice bin drain located at the right rear corner of the ice bin. The drain will need to be cleared.
Water keeps backing up into the ice bin (drain pump).	Drain pump tubing kinked or restricted.	Check inlet, discharge, and vent line tubing for any kinks or restrictions and repair as necessary.
	Inlet screen to the drain pump is restricted or blocked.	Clean the inlet screen to the drain pump.
	Drain pump and/or the ice machine are not level.	Check and level if necessary the drain pump as well as the ice machine.
The drain pump cycles on and off erratically.	Vent line to the drain pump is restricted or kinked.	Check the vent line for any restrictions or kinks and repair as necessary.
	Discharge line is restricted or kinked.	Check the discharge line and connection to the desired drain for any restrictions or kinks and repair as necessary.
	The drain pump is not level.	The drain pump must be level. Check for level on the top of the drain pump case and adjust the tubing or use shims to level.

SERVICE PARTS DIAGRAM ONE

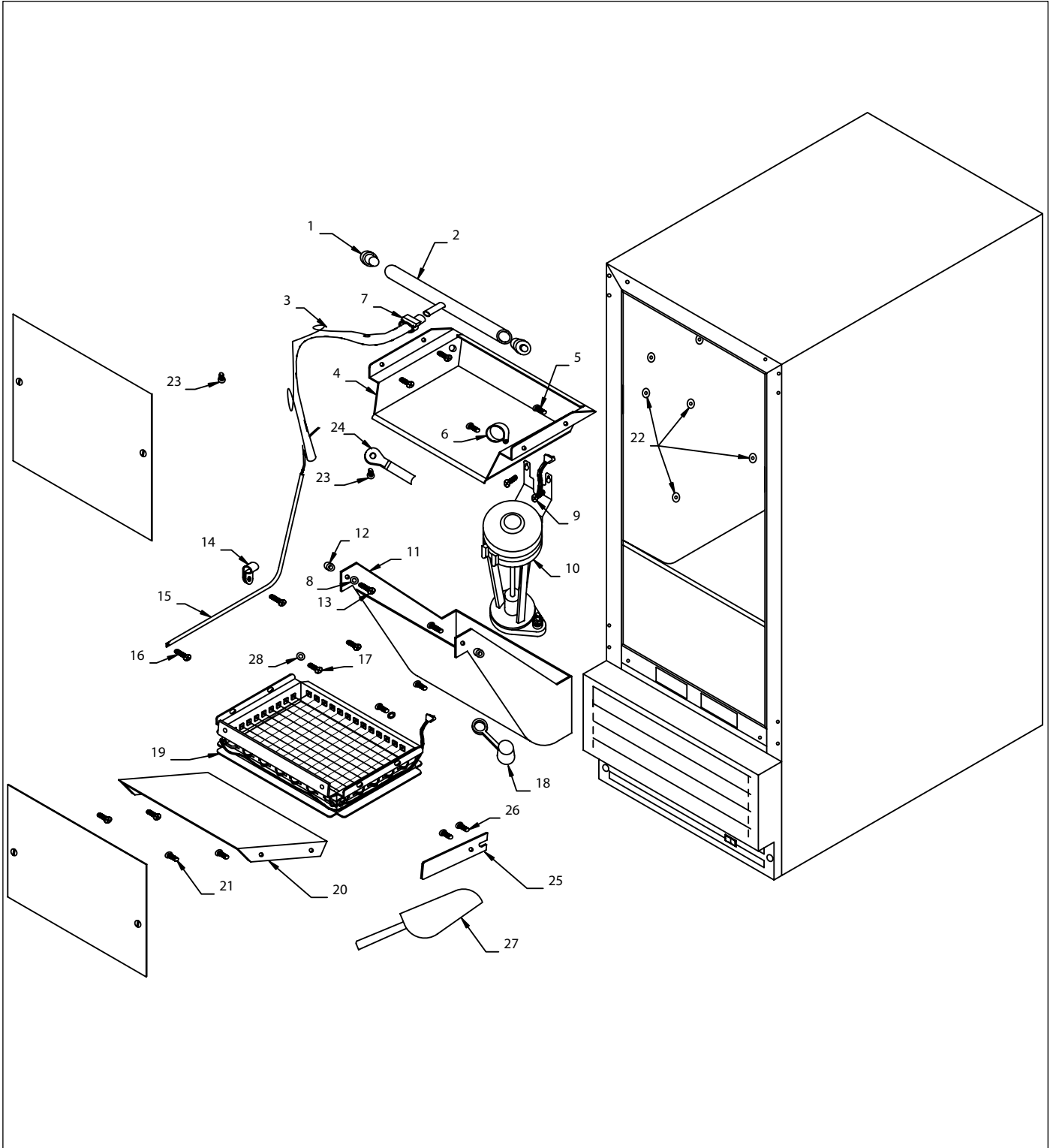


SERVICE PARTS LIST ONE

Illus. No.	Description	Qty. Req.	Part No.	Service Assembly
1	Serial Nameplate	1	various	Location Only
2	Hole Plug	6	41001929	42242085
3	Screw	2	41004079	42242989
4	Escutcheon	1	41007277	42242989
5A	Grille White	1	41006376	42243390
5B	Grille Black	1	41006274	42243391
5C	Grille Stainless Steel (Upper)	1	41008735	42246381
5D	Grille Stainless Steel (Lower)	1	41008534	42246382
6A	On-Off-Clean Switch, Black	1	41005824	42242992
6B	On-Off-Clean Switch, White	1	41006045	42243097
7A	Screw, Grille White	4	41005486	42243390
7B	Screw, Grille Black	4	08205072	42243391
7C	Screw, Grille Stainless Steel	2	41006774	42246381 & 42246382
7D	Star Washer, Stainless Steel	1	41006775	42246382
8	Leveling Legs	1	52415809	42246384
9	Stainless Steel Panel Assembly (optional)	1	42284093	42244709
10	Screw (optional)	2	08204920	42244709

Items Not Shown	Qty. Req.	Part No.	Service Assembly
Door Assembly, complete	1	various	See Fig. #4
Hinge Screws	6	various	See Fig. #4
Hinges (upper & lower)	1	various	See Fig. #4
Hinge Pin	2	41004106	42246217

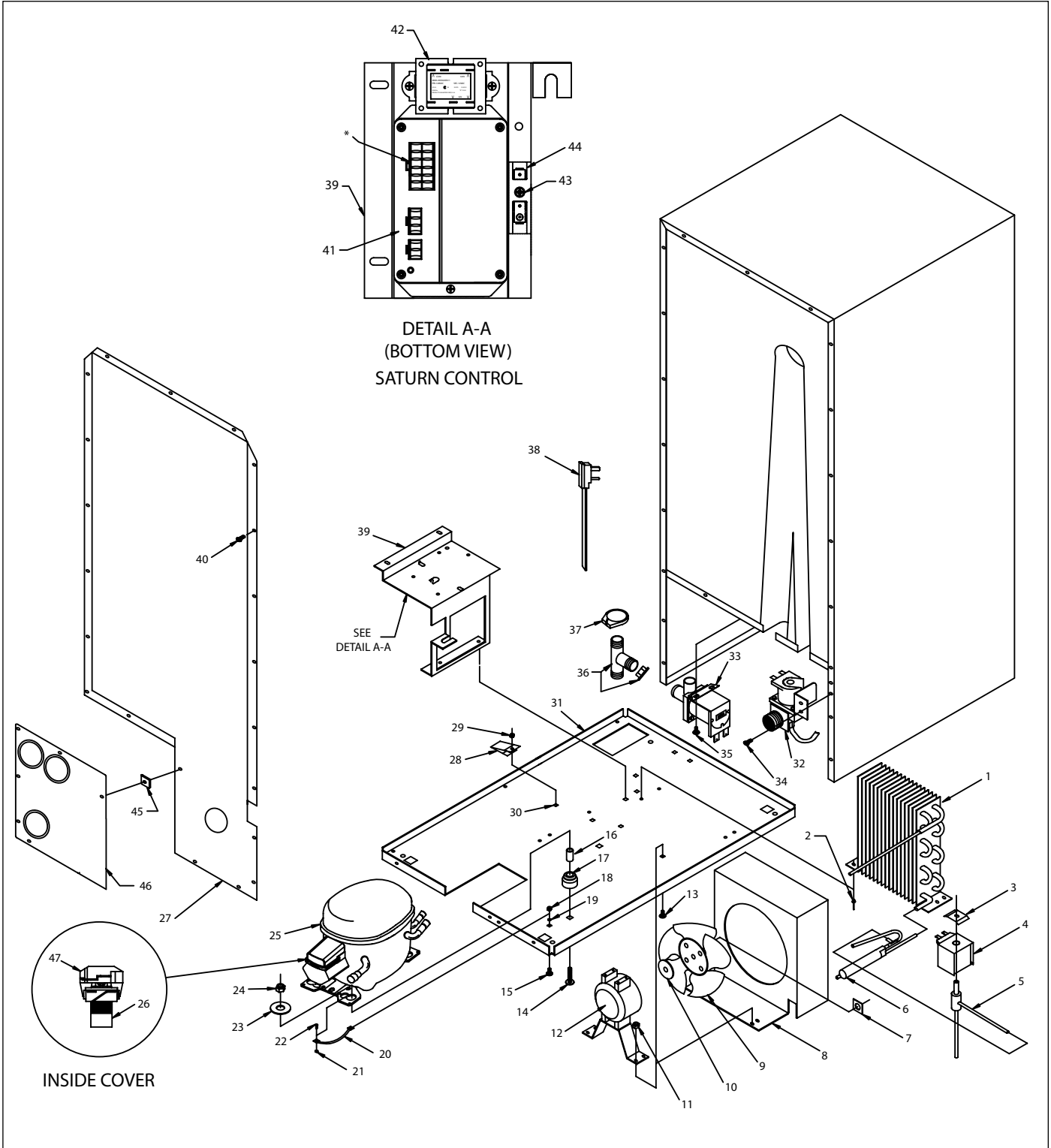
SERVICE PARTS DIAGRAM TWO



SERVICE PARTS LIST TWO

Illus. No.	Description	Qty. Req.	Part No.	Service Assembly
1	Distributor Tube End	2	41005705	42242977
2	Distributor Tube	1	41005515	42242976
3	Tubing	1	41005042	42242976
4	Evaporator Assembly	1	42052559	42242978
5	Screw	4	08204920	42242978
6	Clamp	1	41006002	42242978
7	Hose Clamp	1	41006126	42242976
8	Washer	2	08205068	42242981
9	Screw	2	08204920	42242980
10	Circulation Pump	1	41005537	42242980
11	Reservoir	1	41005345	42242981
12	Spacer	2	41004366	42242981
13	Screw	2	41005773	42242981
14	Clamp	1	1150003A	42242986
15	Sleeve w/ thermistor	1	42156278	42246385
16	Screw	2	08204920	42246385
17	Screw	4	08204920	42242984
18	Drain Plug	1	41005859	42242982
19	Grid-Cutter Assembly	1	42412615	42242984
20	Deflector	1	41006040	42242985
21	Screw	4	08204920	42242985
22	Wellnut	20	41005503	42242987
23	Screw	1	41004079	42246353
24	Thermistor Honeywell	1	41050005	42246353
25	Retainer Clip	1	41006042	42242975
26	Screw	2	08204920	42242975
27	Ice Scoop	1	41005536	42242993
28	Washer	2	08205068	42242984

SERVICE PARTS DIAGRAM THREE

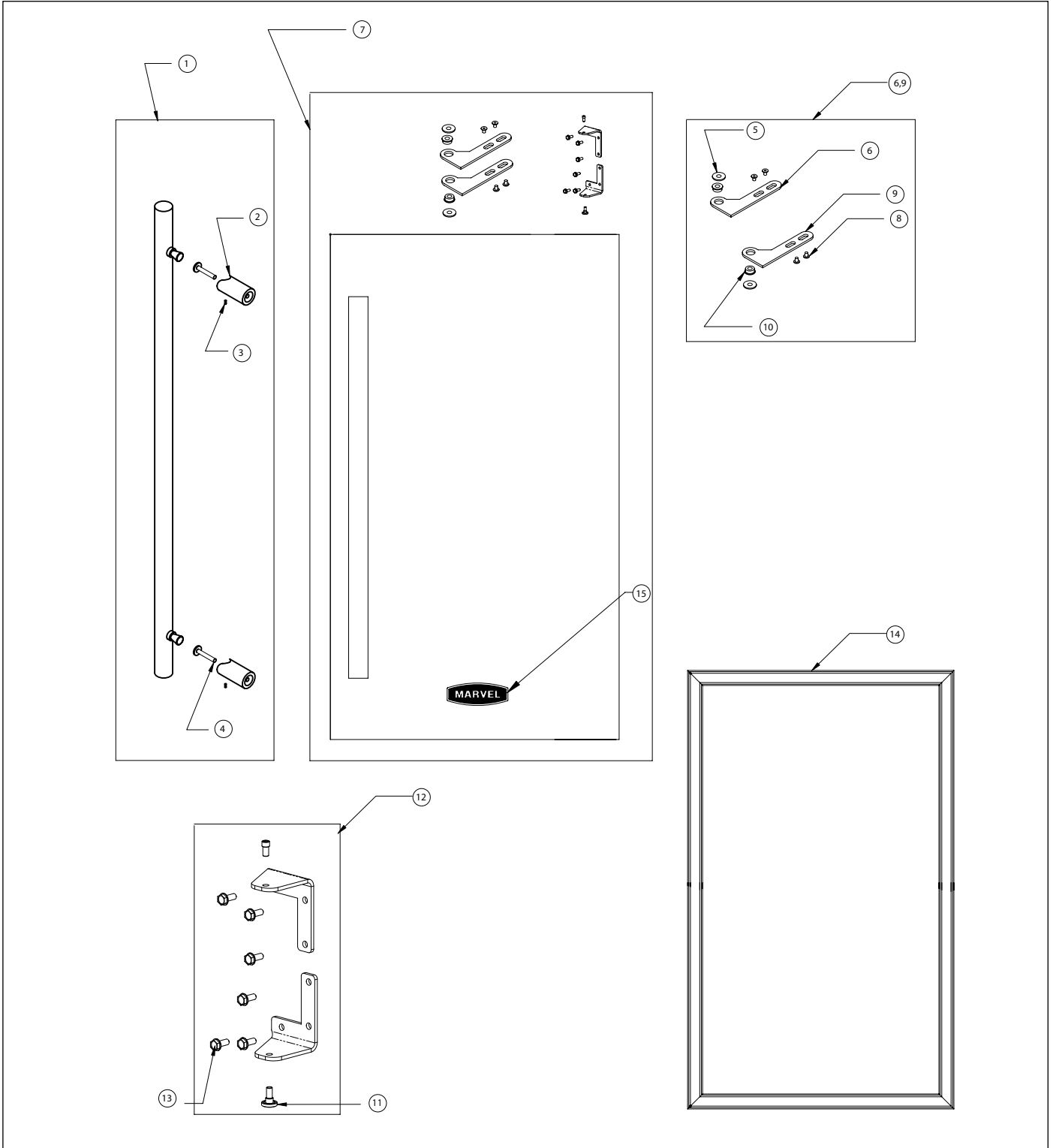


SERVICE PARTS LIST THREE

Illus. No.	Description	Qty. Req.	Part No.	Service Assembly
1	Condenser	1	41003609	42243035
2	Pop Rivet, Steel	4	41003962	42243035
3	Coil Retainer	1	41003662	42241490
4	Solenoid Coil	1	41003601	42242141
5	Hot Gas Valve	1	41003914	42242020
6	Drier Assembly	1	42102389	42242961
7	Speed Nut	1	41000153	42244701
8A	Fan Shroud	1	41006282	42244704
8B	Fan Shroud, Outdoor	1	41008531	42245202
9	Fan Blade	1	41003616	42242015
10	Silencer, Spacer	1	M000101A	42244701
11	Locknut	5	41006874	42244701
12	Fan Motor Assembly	1	42183571	42244701
13	Carriage Bolt	5	1130006A	42244701
14	Carriage Bolt	2	08205050	42243194
15	Carriage Bolt	1	1130006A	42242900
16	Sleeve, Compressor	2	41008199	42243194
17	Grommet, Compressor	4	41008198	42243194
18	Locknut	1	41006874	42242900
19	Lock Washer	1	41005417	42242900
20	Ground Wire, Compressor	1	41001401	42242900
21	Lock Washer	1	08205116	42242900
22	Screw	1	08205200	42242900
23	Washer	2	08204877	42243194
24	Locknut	2	08205051	42243194
25	Compressor Assembly	1	41008182	42243194
26	Compressor PTC Starter	1	41008200	42244702
27A	Back Panel	1	41009202	42242962
27B	Back Panel, Outdoor	1	42104901	42245203
28	Power Cord Clamp	1	41006046	42242963
29	Locknut	1	41006874	42242963
30	Carriage Bolt	1	1130006A	42242963
31	Baseplate	1	41006276	42242964
32	Water Valve Assembly	1	42262644	42242965
33	Drain Valve	1	41005530	42242966
34	Screw	2	08204928	42242965
35	Screw	2	08204928	42242966
36	Tee Fitting/Flow Restrictor Assembly	1	42283196	42242967
37	Hose Clamp	4	41006769	42242967
38	Power Cord	1	41006733	42242963
39	Bracket, Saturn Control	1	44000580	42246367
40A	Screw	24	08204928	42245416
40B	Screw-Stainless Steel, Outdoor	24	41005076	42245203
41	Electronic Control, Saturn	1	41050002	42246366
42	Transformer	1	41005681	42242973
43	Screw	6	41005086	42242971
44	Terminal Block	1	41005078	42242971
45	U-Clip	1	41005945	42243015
46A	Access panel assembly	1	41005943	42243016
46B	Access panel assembly-Stainless Steel, Outdoor	1	41008533	42245204
47	Compressor Overload	1	41008201	42245580
*	Power Wire Harness	1	41050001	42246383

* Not Shown

SERVICE PARTS DIAGRAM FOUR



SERVICE PARTS LIST FOUR

Illus. No.	Description	Qty. Req.	Part No.	Service Assembly
1A	Handle, Blk. Complete	1	41007478	42246368
1B	Handle, S.S. Complete	1	41007480	42246370
1C	Handle, Wht. Complete	1	41007479	42246369
2A	Standoffs, Blk.	2	41007390	42245356
2B	Standoffs, S.S.	2	41005804	42245358
2C	Standoffs, Wht.	2	41007389	42245357
3A	Set Screw, Blk.	2	41006026	42245356
3B	Set Screw, S.S.	2	41006026	42245358
3C	Set Screw, Wht.	2	41006026	42245357
4A	Screw, Blk.	2	08204920	42245356
4B	Screw, S.S.	2	08204920	42245358
4C	Screw, Wht.	2	08204920	42245357
5A	Nylon Spacer, Blk.	2	41007003	42244435
5B	Nylon Spacer, S.S.	2	41007003	42244436
5C	Nylon Spacer, Wht.	2	41007003	42244437
6A	Hinge Adapter, Blk. Complete	1	41008152	42244914
6B	Hinge Adapter, S.S. Complete	1	41007800	42244915
6C	Hinge Adapter, Wht. Complete	1	41008153	42245258
7A	Door Assembly, Blk. complete	1	42034148	42244435
7B	Door Assembly, S.S. complete	1	42034150	42244436
7C	Door Assembly, Wht. complete	1	42034149	42244437
8A	Screw, Blk.	4	41007007	42244914
8B	Screw, S.S.	4	41007518	42244915
8C	Screw, Wht.	4	41009409	42245258
9A	Hinge Adapter, Blk. Complete	1	41007006	42244914
9B	Hinge Adapter, S.S. Complete	1	41007517	42244915
9C	Hinge Adapter, Wht. Complete	1	41007515	42245258
10A	Hinge Bushing, Blk.	2	41007005	42244914
10B	Hinge Bushing, S.S.	2	41007005	42244915
10C	Hinge Bushing, Wht.	2	41007005	42245258
11	Hinge Pin, Zinc	2	41004106	42246217
12A	Hinges (upper & lower), Blk.	1	52417485	42244947
12B	Hinges (upper & lower), Chrome	1	52417484	42244356
12C	Hinges (upper & lower), Wht.	1	52417486	42246371
13A	Hinge Screws, Blk.	6	41007599	42245718
13B	Hinge Screws, Zinc	6	41007598	42245719
13C	Hinge Screws, Wht.	6	41007600	42245720
14	Gasket, Wht.	1	41006285	42243388
15	Marvel Nameplate	1	41004477	42243063

PREPARING YOUR ICE MACHINE FOR STORAGE

Storage of Ice Machine

If the ice machine is to be moved, not used for an extended time or will be in an area that will be near freezing temperatures – below 37° F, it is necessary to remove the remaining water in the ice-making system.



CAUTION

ALL WATER MUST BE DRAINED AND REMOVED TO PREVENT ICE MACHINE DAMAGE AND POSSIBLE WATER DAMAGE TO THE SURROUNDING AREA IN FREEZING CONDITIONS. THESE DAMAGES ARE NOT COVERED UNDER WARRANTY.



WARNING

DO NOT USE ANTI-FREEZE OR OTHER SOLUTIONS AS A SUBSTITUTION FOR PROPERLY DRAINING THE ICE MACHINE.

Cleaning of Ice Machine for Storage

Cleaning the ice machine will prevent mold and mildew growth as well as sanitize the unit for storage or when it is put back into service.

1. Remove all ice from the ice storage bin.
2. Pull the reservoir drain plug to drain reservoir.
3. Reinstall the drain plug after all of the water has drained.
4. Add ice machine cleaning solution to ice machine's reservoir. Refer to the machine care section of guide for further information.
5. Switch the rocker switch in the grille to "CLEAN" position.
6. The clean cycle will complete in 50 minutes.

Draining and Removing Water from System

1. Turn off the water supply to the ice machine.
2. Disconnect the water supply fitting at the inlet of the water valve.
3. Switch rocker switch to "CLEAN" for about 1 minute. This will energize and open the water valve and remove most of the water from the valve and the outlet water line to the reservoir.
4. Switch rocker switch to "OFF" position. This will energize and open the drain valve to drain the reservoir and the ice machine drain system.

5. Unplug the unit from the electrical outlet.
6. Remove back panel from the rear of the unit.
7. Disconnect the water valve's outlet water line to the reservoir and drain the remaining water left in the water line trap area.
8. Reconnect water valve outlet water line and tighten compression nut to a watertight seal.
9. Reinstall the unit's back panel.
10. Clean and dry the ice storage bin.
11. Prop the door open for air circulation and to prevent mold and mildew.
12. Leave water supply line disconnected or, if reconnect, leave it shut off. DO NOT turn the water on and allow water to enter the valve.

Draining Water for Optimal Drain Pump Life

1. Remove the drain pump from the ice machine (refer to drain pump installation instructions).
2. Drain the water in the drain pump's reservoir by turning the pump upside down and allowing water to drain through the pump's inlet and vent tube fittings.
3. After all water is drained, reinstall the drain pump. Make certain all tubing is installed and all hose clamps are tight (refer to drain pump installation instructions).

Restarting the Ice Machine

1. With the rocker switch in the "OFF" position, plug the unit into an electrical outlet.
2. Reconnect or turn on the water supply line.
3. Reconnect the drain tubing if removed.
4. Turn the rocker switch to the "ON" position.
5. Check the water inlet, drain lines, and fittings for any water leaks.
6. Check drain pump (if equipped) operation by pouring approximately 2 quarts of water into the ice storage bin. The drain pump should activate and discharge water (refer to drain pump installation instructions). Check for water leaks at all hose connections.



Marvel Industries
P.O. Box 997
Richmond, IN
47375-0997

800.428.6644

An AGA Company

41010308 Rev. A

www.lifeluxurymarvel.com

All specifications and product designs subject to change without notice. Such revisions do not entitle the buyer to corresponding changes, improvements additions, replacements or compensation for previously purchased products.