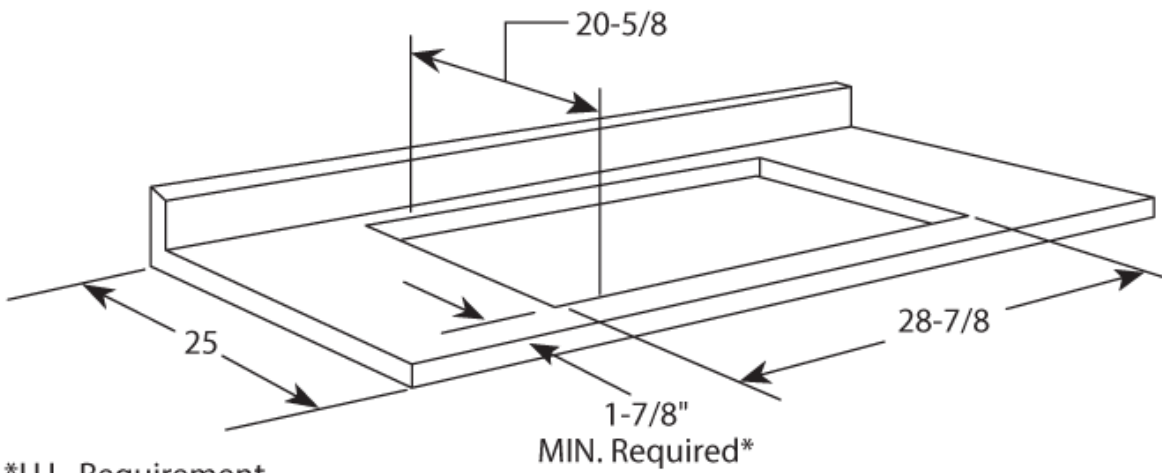


Cut-out Dimensions (in inches)



*U.L. Requirement.

Note: A 5" minimum spacing to adjacent side wall is required

Above illustration intended for dimensional reference only. Refer to photograph for actual product appearance.