

GC443BGL

3.2" x 43.38" x 14.63" (H x W x D)

4-burner island gas-on-glass cooktop with sealed burners and cast iron grates

Highlights:

Island style cooktop lets you get the most out of counter space

Cast iron grates for durable cooking with added convenience

Smooth black tempered glass surface offers easy cleanup and modern style

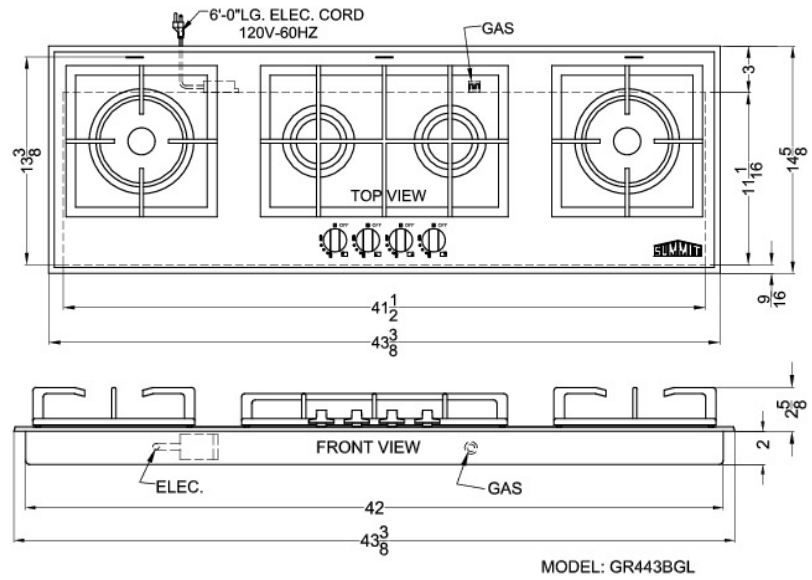
Four sealed burners with thermocouple flame failure protection



Tempered glass surface	Elite construction with modern elegance
4 Sealed burners	Includes two ultra 10,300 BTU and two 4,350 BTU burners to meet all cooking needs
Cast iron grates	Center grates are continuous for cooking ease
Conversion kit included	Unit is preset for natural gas but can be converted to LP with included kit
Thermocouple flame failure protection	Automatically turns gas off after 12 seconds if flame is extinguished
Designed for built-in installation	Cutout dimensions: 2" H x 41 5/8" W x 13 1/2" D

Specifications:

Height	3.2"
Width	43.38"
Depth	14.63"
Countertop Cutout Width	41.63"
Countertop Cutout Depth	13.5"
Shipping Weight	41.0 lbs.
Weight	35.0 lbs.
Canadian Electrical Safety	ULC
US Electrical Safety	UL
Burner Temperature Control	Dial
Number of Burners	4
LP Convertible	true
Cooktop Surface	Glass
Ignition Type	Spark
Parts/Labor Warranty	1 Year



Summit Appliance Division, Felix Storch, Inc.
 770 Garrison Ave • Bronx, NY 10474
 Phone: 718-893-3900 • Fax: 718-842-3093
 Email: info@summitappliance.com