



## 36" Framed Induction Cooktop

Induction cooking has been used in Europe for decades by professionals and homeowners demanding the best in performance. They are 90-95% energy efficient; as a result, no heat is wasted because energy is supplied directly to the cooking vessel. With Wolf's unframed induction cooktops there's no stainless steel trim, just the sophisticated, minimalist exterior subtly patterned design to hide any unsightly scratches.



### FEATURES

- Stainless steel trim finish.
- Easy-to-clean black ceramic glass surface is resistant to scratching, staining, impact and heat.
- Induction elements heat cookware, not the glass, for a cooler, safer cooking surface.
- Five high-efficiency induction elements deliver power and control.
- Maximum element power: 3000 W with 4000 W boost, (2) 1800 W with 3000 W boost and (2) 1200 W.
- True simmer setting on three elements.
- Melt setting on two elements.
- Cookware sensing—elements will not be energized without an induction-compatible pan on the cooktop surface.
- Hi-Power mode boosts power on 1800 W elements by diverting power from adjacent element—4000 W element does not divert power from adjacent element for boost.
- Temperature limiter to ensure that safe operating temperature of ceramic glass is never exceeded.
- Illuminated touch controls with graduated control lighting and adjustable sound frequency and volume.
- Hot-surface indicator light in control panel.
- Lock mode—cooktop will be locked so that no elements can be turned on.
- Universal OFF turns all elements off.
- Countdown timer with 1 to 99 minute range.

### ACCESSORIES

- Filler strip for installation of multiple cooktops or modules.

Accessories are available through your authorized Wolf dealer. For local dealer information, visit the find a showroom section of our website, [wolfappliance.com](http://wolfappliance.com).



Model CT36I/S

### HOW DOES INDUCTION COOKING WORK?

The electricity flows through a coil to produce a magnetic field under the ceramic cooktop. When a cast iron or magnetic stainless steel pan is placed on the ceramic glass surface, currents are induced in the cooking utensil and instant heat is generated due to the resistance of the pan. Induction only works with cooking vessels made of magnetic materials, such as cast iron and magnetic stainless steel (it will not work with aluminum or copper pots).

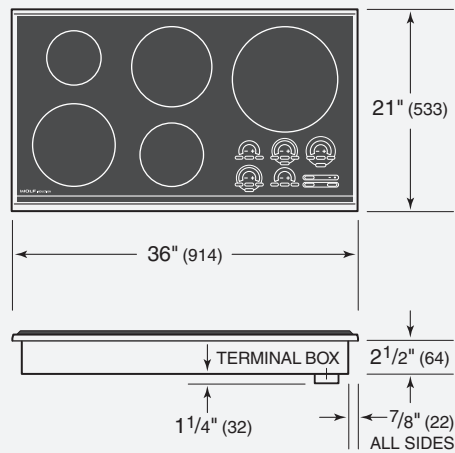


Hi-Power boost control.



## 36" Framed Induction Cooktop

### OVERALL DIMENSIONS



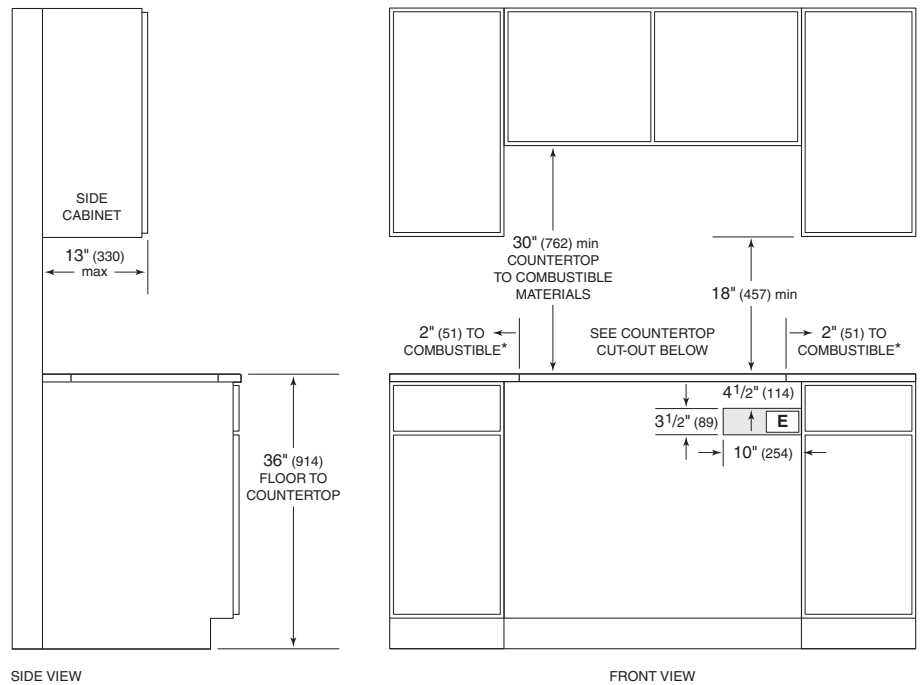
Unit dimensions may vary by  $\pm 1/8$ ".

### SPECIFICATIONS

Overall Width	36"
Overall Height	2 1/2"
Overall Depth	21"
Induction Elements	Five
Countertop Cut-Out Width*	34 3/8"
Countertop Cut-Out Depth	19 1/4"
Maximum Element Power	(2) 1200 W (2) 1800 W with 3000 W boost (1) 3000 W with 4000 W boost
Element Diameters	5 1/2", 6 3/4", (2) 8 3/4" and 11"
Electrical Requirements	240/208 V AC 50/60 Hz, 50 amp circuit
Conduit	4' flexible 3-wire
Electrical Rating	10.2 kW at 240 V AC 8.9 kW at 208 V AC
Shipping Weight	70 lbs

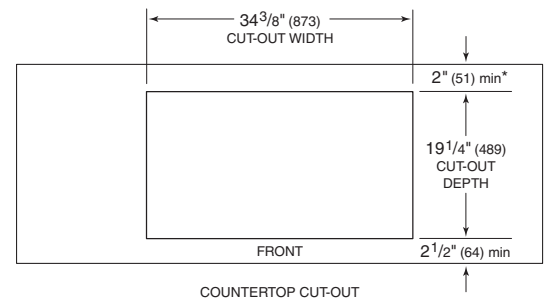
\*If the cooktop is to be used with any combination of additional cooktop units or modules with a filler strip, the cut-out width increases to 35".

### INSTALLATION SPECIFICATIONS



\*Minimum clearance from cooktop cut-out to combustible materials up to 18" (457) above countertop.  
NOTE: Electrical location applies only to installation with built-in oven.

### Countertop Cut-Out Dimensions



Dimensions in parentheses are in millimeters unless otherwise specified.

### INSTALLATION NOTES

Complete installation specifications can be found on our website, [wolfappliance.com](http://wolfappliance.com).