

WTM7212KWSSW

34.5" x 24.0" x 24.0" (H x W x D)

Stainless steel gas wall oven with window, electronic ignition and digital clock/timer; for cutouts 22 3/8" wide by 34 1/8" high

Highlights:

34 1/8" H x 22 3/8" W x 23" D cutout dimensions fit many pre-existing kitchen spaces

Stainless steel doors with professional towel bar handles

Lower broiler compartment included

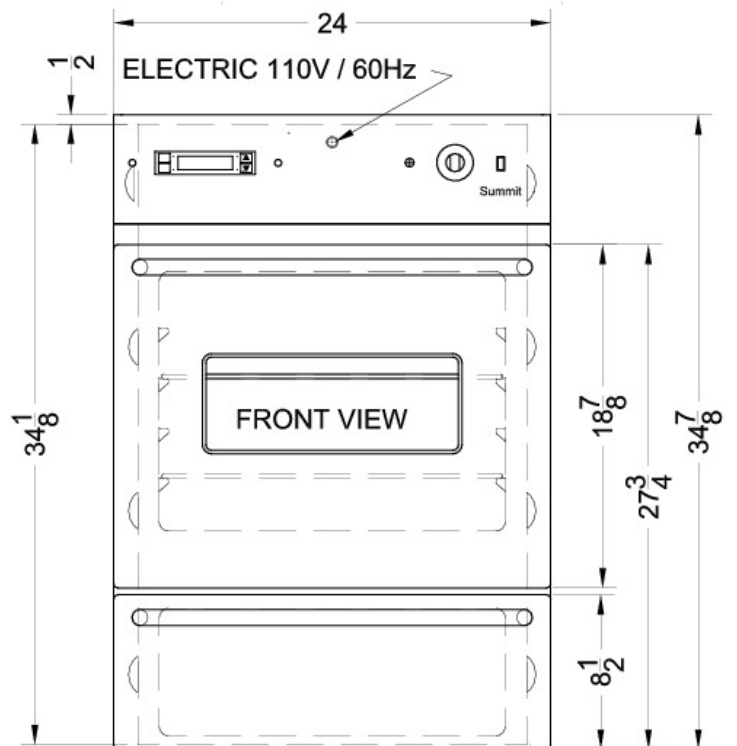
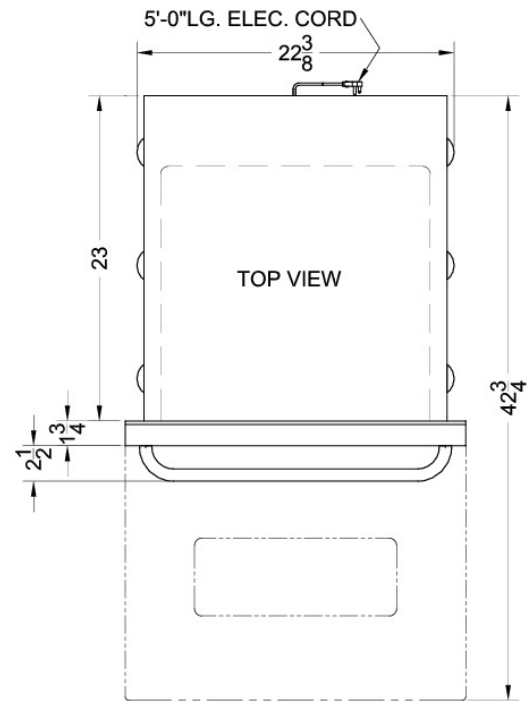
Stainless steel manifold features a digital clock and timer



Stainless steel doors	Professional stainless steel construction on the oven/broiler drawers and top manifold
Professional towel bar handles	Curved handles in brushed stainless steel
Digital clock and timer	Added convenience for easier cooking
Lower broiler compartment	Drop-down door with lower section for separate broiling
Broiler pan included	Two-piece porcelain broiler tray with grease well
Electronic/gas spark ignition	Standard on SUMMIT wallovens
Oven window	Provides a convenient view into the oven interior
Interior light	Oven includes light with exterior on/off switch
Porcelain construction	Interior oven is constructed from long-lasting porcelain that is easy to clean

Specifications:

Cutout Width	22.38"
Cutout Height	34.18"
Cutout Depth	23.0"
Height	34.5"
Width	24.0"
Depth	24.0"
Capacity	2.92 cu.ft.
Shipping Weight	190.0 lbs.
Weight	170.0 lbs.
US Electrical Safety	UL
Oven Rack Quantity	2
Oven Door Window	true
Oven Temperature Control	Dial
Cooking Timer	true
Ignition	Spark
Oven Cleaning Type	Manual
Interior Oven Light	true
Parts/Labor Warranty	1 Year



Summit Appliance Division, Felix Storch, Inc.
 770 Garrison Ave • Bronx, NY 10474
 Phone: 718-893-3900 • Fax: 718-842-3093
 Email: info@summitappliance.com