



Electric Large Capacity Thin Twin Washer/Dryer

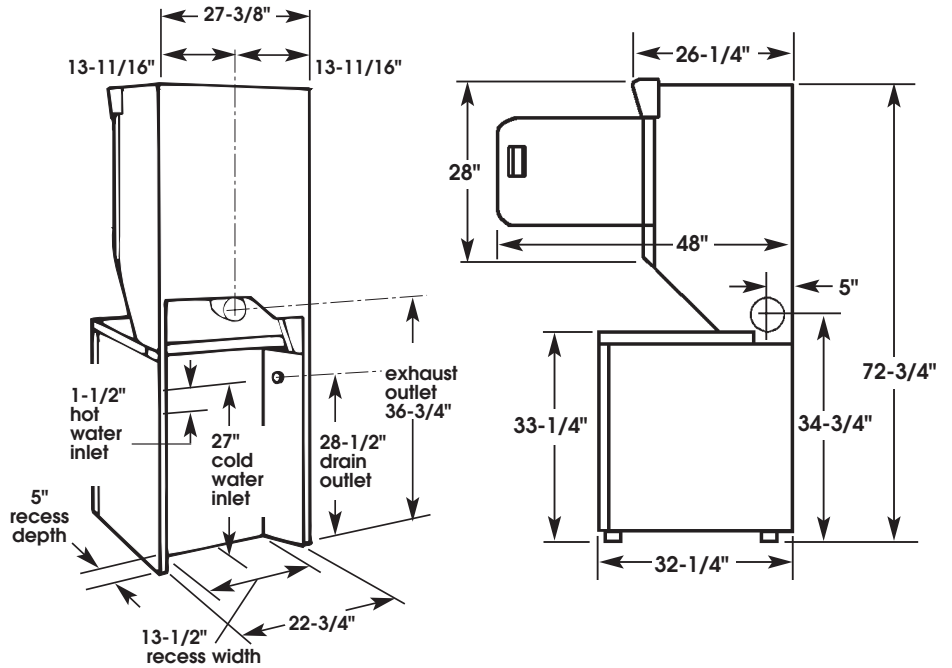
PRODUCT MODEL NUMBER

LTE6234D

Electrical: A four-wire or three-wire, single phase, 120/240-volt, 60-Hz, AC-only, electrical supply (or four-wire or three-wire, 120/208-volt if specified on model/serial rating plate) is required on a separate 30-ampere circuit, fused on both sides of the line. A time-delay fuse or circuit breaker is recommended.

Exhaust venting: Exhaust your dryer to the outside. Four-inch diameter vent is required. Rigid or flexible metal exhaust vent must be used. Do Not use plastic or metal foil vent. Exhaust outlet hood must be at least 12 inches from the ground or any object that may be in the path of the exhaust.

OVERALL DIMENSIONS



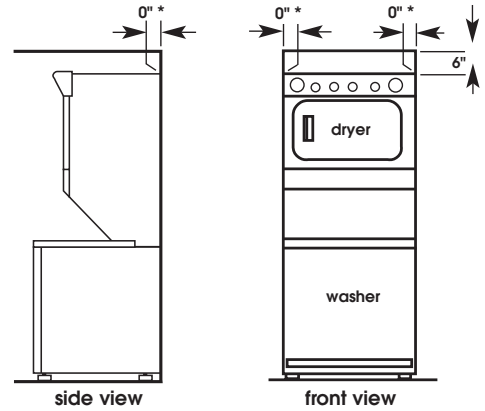
RECESSED AREA AND CLOSET INSTALLATION

Recessed, non-exhausted installation must use only the rear exhaust position and Exhaust Deflector Part No. 694609.

Note: If recessed installation is exhausted to the side or rear, 6" must be available above the washer/dryer but all other spacing can be 0".

Recessed area

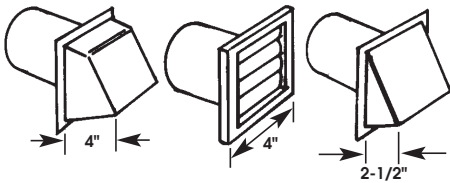
Minimum installation spacing



EXHAUST VENTING

Plan installation to use the fewest number of elbows and turns.

Maximum length of the exhaust system depends upon the type of vent used, number of elbows and the type of exhaust hood. The maximum length for both rigid and flexible vent is shown in the chart.

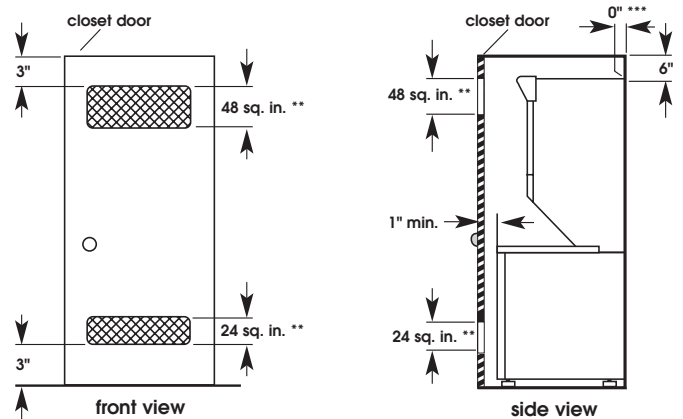


Rear, Side or Bottom Exhaust		
Number of 90° Turns	Maximum length of vent	Four-inch diameter vent
0	42 FT.	MAXIMUM LENGTH OF 4" DIA. RIGID METAL VENT
1	34 FT.	
2	26 FT.	
0	26 FT.	MAXIMUM LENGTH OF 4" DIA. FLEXIBLE METAL VENT
1	21 FT.	
2	16 FT.	

The maximum length using a 2" x 6" rectangular vent with 2 elbows and a 2-1/2" exhaust hood is 8 ft.

Closet confined area

Minimum installation spacing



* Additional clearances for wall, door and floor moldings may be required or if external exhaust elbow is used.
 ** Opening is minimum for closet door. Louvered door with equivalent air openings is acceptable.
 *** Additional space may be needed for exhaust elbow.