



48-INCH PRO DUAL-FUEL RANGE

HDPR48 | HERITAGE COLLECTION



AVAILABLE MODELS

HDPR48S/NG/H	48" Heritage Dual Fuel Pro Range - Natural Gas High Altitude
HDPR48S/NG	48" Heritage Dual Fuel Pro Range - Stainless Steel Natural Gas
HDPR48S/LP/H	48" Heritage Dual Fuel Pro Range - Stainless Steel Liquid Propane High Altitude
HDPR48S/LP	48" Heritage Dual Fuel Pro Range - Stainless Steel Liquid Propane
HDPR48C/NG/H	48" Heritage Dual Fuel Pro Range - Color Match Natural Gas High Altitude
HDPR48C/NG	48" Heritage Dual Fuel Pro Range - Color Match Natural Gas
HDPR48C/LP/H	48" Heritage Dual Fuel Pro Range - Color Match Liquid Propane High Altitude
HDPR48C/LP	48" Heritage Dual Fuel Pro Range-Color Match Liquid Propane

FEATURES & BENEFITS

- Exclusive Four-Part Pure Convection – heating element, air baffle, fan and filter to precisely distribute heat for superior cooking results.
- Large oven capacity - 5.2 cu. ft. / 2.8 cu. ft.
- 6 Dual-Stack Sealed Burners.
- Powerful 18K BTU and true simmer burners.
- Illumina™ Knobs - White LED
- LED Tilt-Vue™ Glass Touch Control
- Soft Close Oven Doors
- Continuous Grate Platform
- All Brass Valves, Heads and Caps

ADDITIONAL FEATURES

CLEANING TYPE	SELF CLEAN (BOTH) GREENCLEAN™ (BOTH OVENS)
TYPE OF GRATE	CONTINUOUS CAST IRON
CAVITY	BLACK ENAMEL COATING
RACK POSITIONS	6 (LG) / 6 (SM)
LIGHTING	LED & HALOGEN

GENERAL PROPERTIES

OVEN CAPACITY (CUBIC FEET)	5.2 (LG OVEN) / 2.8 (SM OVEN)
COOKING MODES BOTH OVENS	PURE CONVECTION™ CONVECTION BAKE CONVECTION BROIL CONVECTION ROAST BAKE BROIL

OVEN PERFORMANCE

BAKE ELEMENT	3,000W - 8 PASS (LG) 2,100W (SM)
BROIL ELEMENT	3,500W - 8 PASS (LG) 2,500W (SM)
CONVECTION ELEMENT	2,200W (LG) 2,200W (SM)

BURNER PERFORMANCE

TOTAL NUMBER OF COOKTOP BURNERS	6 DUAL STACK BRASS BURNERS
LEFT FRONT (BTU)	18,000 DUAL (SIMMER/SEAR)
LEFT REAR (BTU)	15,000 STACK DUAL (SIMMER)
CENTER FRONT (BTU)	15,000 STACK DUAL (SIMMER)
CENTER REAR (BTU)	15,000 STACK DUAL (SIMMER)
RIGHT FRONT (BTU)	18,000 DUAL (SIMMER/SEAR)
RIGHT REAR (BTU)	15,000 STACK DUAL (SIMMER)
SEALED BURNERS	YES
PERMA-FLAME™ (AUTO RE-IGNITION)	YES

ADDITIONAL MODES

KEEP WARM	YES (BOTH)
PROOF	YES (BOTH)
TEMPERATURE PROBE	YES (LG OVEN)
DEHYDRATE	YES (BOTH)
SABBATH	YES (BOTH)

CONTROL FEATURES

LED (WHITE)	YES
NUMBER OF KNOBS	6 KNOBS
CONTROL METHOD	LED GLASS TOUCH CONT
ILLUMINA™ BURNER KNOBS	YES
HIGHLIGHTING COLOR	WHITE
CLOCK	YES
DELAY START	YES
KITCHEN TIMER	YES 1 PER OVEN
TIME OF DAY (12 HR/24 HR)	YES
TEMPERATURE (F/C)	YES
CHILD LOCK	YES
SOUND ON/OFF	YES

TECHNICAL DETAILS

CIRCUIT BREAKER (A)	50 AMP
VOLTS (V)	240 V
FREQUENCY (HZ)	60 HZ
ENERGY SOURCE	GAS AND ELECTRICAL
GAS TYPES	NATURAL GAS NATURAL GAS (HIGH ALTITUDE) LIQUID PROPANE LIQUID PROPANE (HIGH ALTITUDE)

DIMENSIONS & WEIGHT

APPLIANCE DIMENSIONS (H X W X D) (IN.)	36 1/4" - 37 1/2" X 47 7/8" X 26 15/16"
REQUIRED CUTOUT SIZE (W X D) (IN.)	48" X 24"

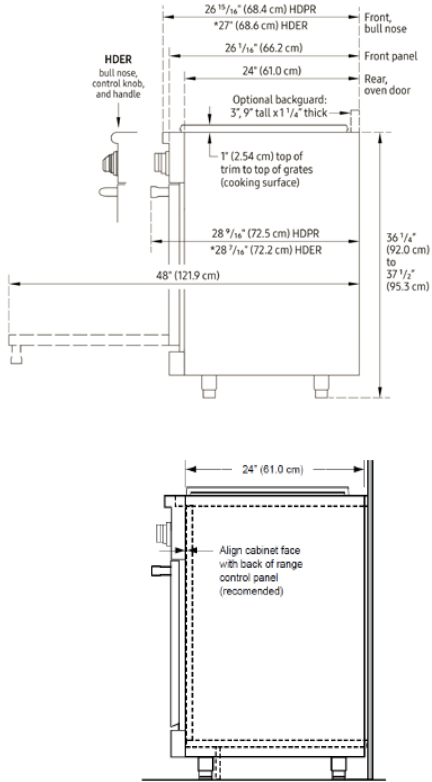
dacor 48-INCH PRO DUAL-FUEL RANGE

APPLIANCE DIMENSIONS

48"

A (WIDTH)	47 7/8" (121.6CM)
B (DEPTH)	26 15/16" (68.4CM)
C (HEIGHT)	36 1/4" TO 37 1/2" (92.0-95.3CM)

Product tolerances: $\pm 1/16"$ (+/-1.6MM)



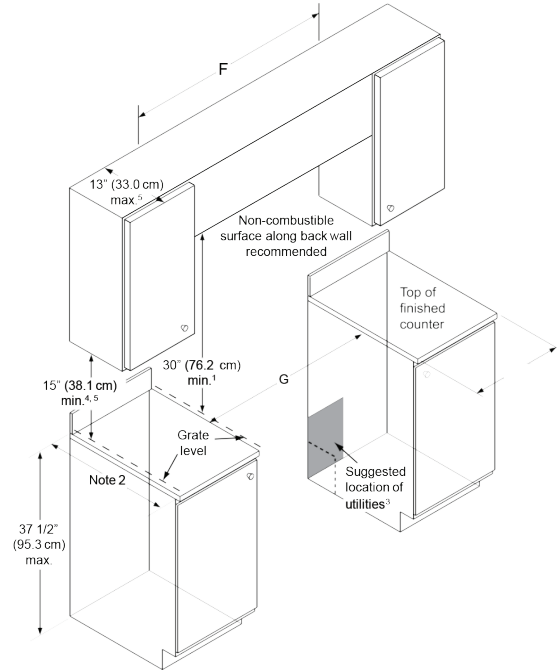
View of Range Installed (Side View)

CABINET CUT-OUT DIMENSIONS

RANGE MODEL	F	G
HDPR48	54" (137.2 CM)* 48" (121.9 CM)**	48" (121.9 CM)**

* Recommended
** Minimum

Cutout tolerances: $\pm 1/16"$ (+1.6 mm), -0 unless otherwise stated



ACCESSORIES (INCLUDED)

GLIDERACK™	2 (LG) & 2 (SM)
STANDARD RACK	1 (LG) / 1 (SM)
TEMPERATURE PROBE	1 LG OVEN
WOK RING	1
CONVECTION FILTER	1/EA OVEN
BRASS/BLACK PORCELAIN BURNER CAPS	6/EA
REMOVABLE NON-STICK GRIDDLE	1

ACCESSORIES (OPTIONAL)

COOKIE SHEETS (SET OF 3)	SKU - ACSRO303
REMOVABLE NON-STICK GRIDDLE	SKU - AG30
REMOVABLE NON-STICK SEARING GRILL	SKU - AEGR30
BAKING STONE	SKU - ABS16
BROIL/ROASTING PAN W/GRILL & V RACK	SKU - AORPVR
STAINLESS STEEL BACKGUARD, MOUNTS TO UNIT (6 IN HIGH)	AHB48D6
STAINLESS STEEL BACKGUARD, MOUNTS TO UNIT (9 IN HIGH)	AHB48D9
3" SIDE PANELS	ARSP3

WARRANTY

LIMITED, PARTS AND LABOR

1 YEAR