

# JBP66WK/CK/EK

## GE® 30" Free-Standing QuickClean™ Electric Range

### Dimensions and Installation Information (in inches)

KW Rating	
240V	11
208V	8.3
Breaker Size	
40 Amps†	

†**Note:** Check local codes for required breaker size.

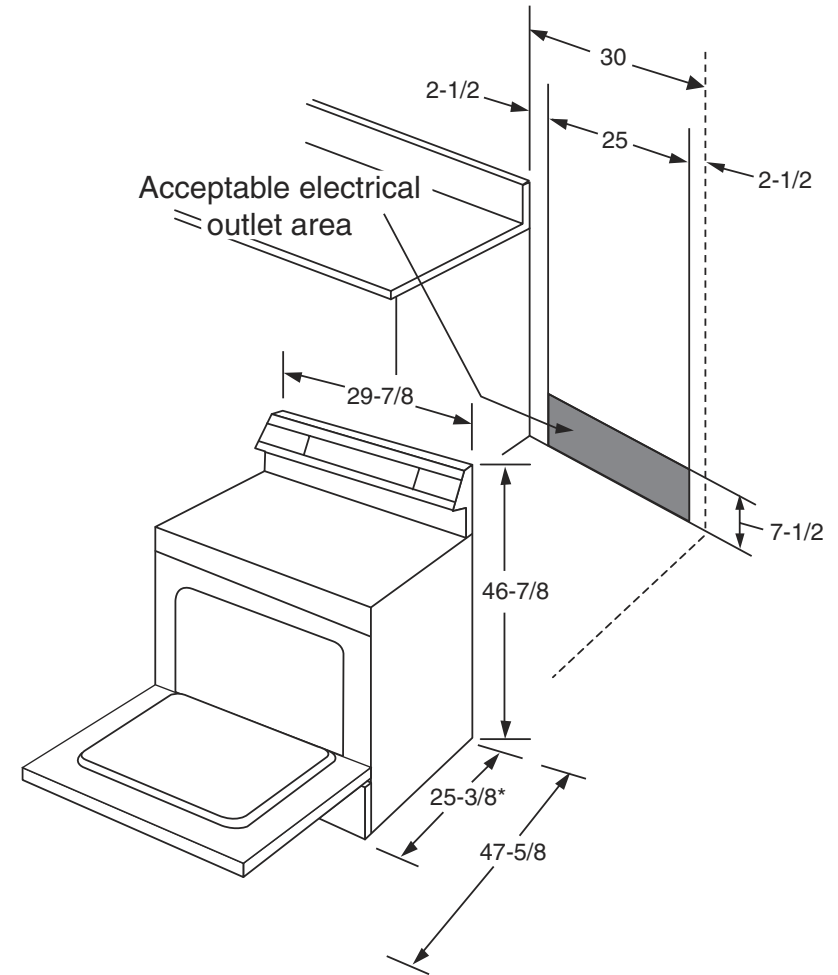
Effective January 1, 1996, the National Electrical Code requires that new construction (not existing) utilize a 4-conductor connection to an electric range.

**Receptacle Locations:** Locally approved flexible service cord or conduit must be used because terminals are not accessible after range installation. See shaded area in drawing for location of electrical outlet box. Recommended outlet locations allow range to be installed directly against wall.

**Note:** 30" ranges conform to U.L. requirements for 0" spacing from adjacent walls below countertops. To reduce possibility of scorching walls, engineering recommends a minimum of 1-1/2" spacing to allow for possible extended, high-heat, no-load heating element operation.

**Installation information:** Before installing, consult installation instructions packed with product for current dimensional data.

For answers to your Monogram®, GE Profile™ or GE® appliance questions, visit our website at [ge.com](http://ge.com) or call GE Answer Center® service, 800.626.2000.



\*Dimension from wall to front of closed door handle is 27-3/4".



All GE ranges are equipped with an Anti-Tip device. The installation of this device is an important, required step in the installation of the range.



Listed by Underwriters Laboratories

# JBP66WK/CK/EK

## GE® 30" Free-Standing QuickClean™ Electric Range

### Features and Benefits

- Self-Clean Oven - Conveniently cleans the oven cavity without the need for scrubbing
- Super-Large 5.3 Cu. Ft. Oven Capacity - Provides an impressively large oven interior for cooking more dishes and large meals at one time
- TrueTemp™ System - Delivers even heat distribution and maximum oven control
- Dual Size Ribbon Element - Offers a convenient choice of using a 6" or 9" heating element, depending on the size of the pan
- Dual Element Bake - Alternates the upper broiling element and the lower baking element for even heating and optimal baking results
- Ceramic Glass Cooktop - A smooth cooktop surface makes cleaning quick and easy
- QuickSet IV Oven Controls - Feature an easy to use design which allows you to set precise cooking temperatures
- Big Hearth Window - Features an enhanced shape to add an elegant appearance and make viewing trouble-free
- Six-Pass Bake Element - The powerful, continuous heating element loops throughout the oven, delivering evenly cooked foods
- Model JBP66WKWW – White on white (white door and white patterned cooktop)
- Model JBP66CKCC – Bisque on bisque (bisque door and bisque patterned cooktop)
- Model JBP66EKBB – Black on black (black door and black patterned cooktop)

