

# JP356WM/BM

## GE® 30" Built-In CleanDesign Electric Cooktop

### Dimensions and Installation Information (in inches)

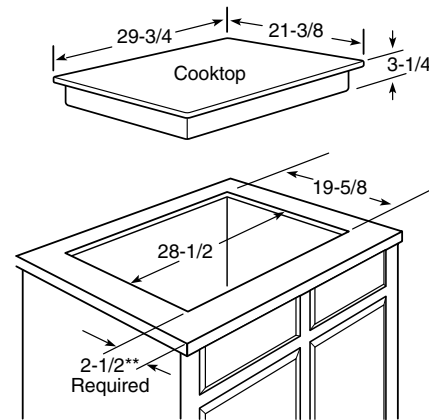
KW Rating	
240V	7.6
208V	5.7
Breaker Size	
240V	40 Amps†
208V	30 Amps†

†**Note:** Check local codes for required breaker size  
**Important:** Requires a 5" free area between the bottom of the cooktop to any combustible material, i.e., shelving. Free area not required when installing wall oven underneath cooktop. Refer to installation instructions. Requires a 15" minimum from cooktop to adjacent overhead cabinets. Units are furnished with a 48" flexible armored cable.

**Note:** 30" Ribbon cooktops are approved for use over select GE 27" and GE 30" Single Wall Ovens and Warming Drawers. Refer to cooktop and wall oven/warming drawer installation instructions packed with product for current dimensional data. If installed with a GE Profile™ Telescopic Downdraft System, consult both the cooktop and downdraft installation instructions packed with product before installing. Cooktop gas/electric supply may need to be re-routed to install downdraft. Consult cabinet and countertop manufacturer's specs for flush mount installation prior to install. **Before installing, consult installation instructions packed with product for current dimensional data.**

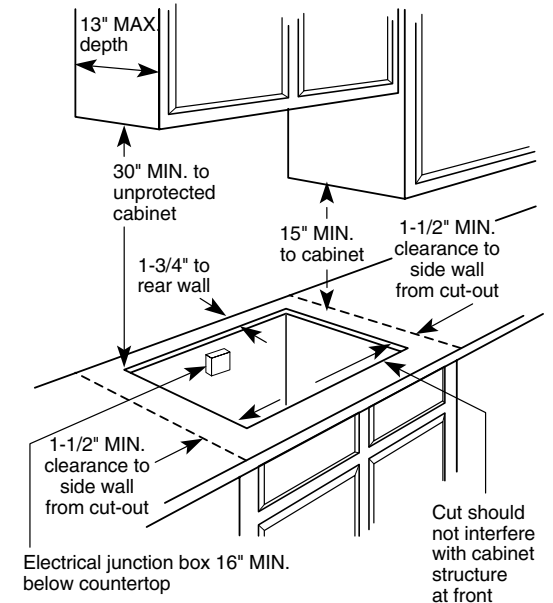
**Filler Trim Kit:** When replacing an old GE 30" cooktop (with larger opening) use the following one-piece trim kit to fill in the over-size hole. Available at additional cost. JXTR32W (True White) JXTR32B (Black glass with black, white or bisque pattern)

For answers to your Monogram®, GE Profile™ or GE® appliance questions, visit our website at [ge.com](http://ge.com) or call GE Answer Center® service, 800.626.2000.



\*Depth of unit at conduit connection location (rear) is 6-1/2" on models PP980/950 and 4-5/8" on models PP975/972/962/945/942/932/912, JP655/356/346.

\*\*Raised bull nose countertops may require up to 3/8" additional clearance to prevent interference with curved front.

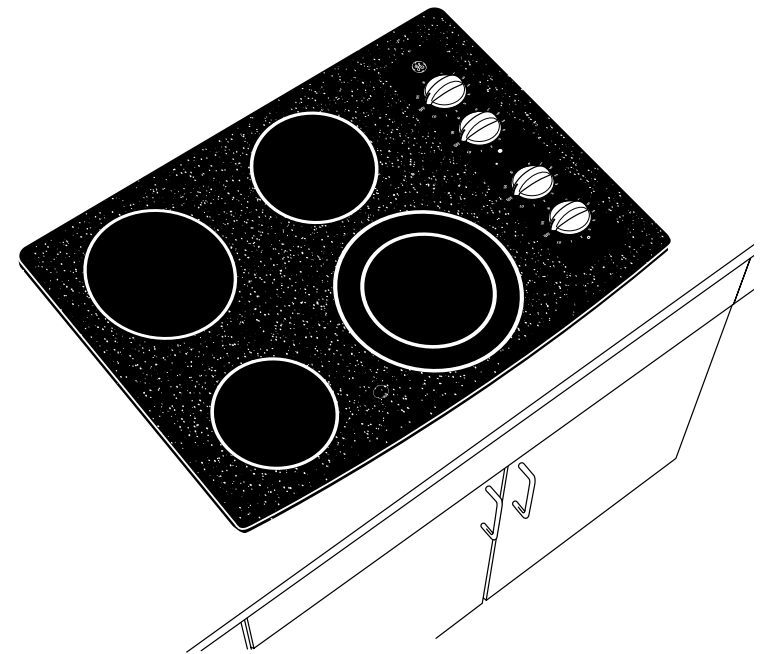


# JP356WM/BM

## GE® 30" Built-In CleanDesign Electric Cooktop

### Features and Benefits

- Ceramic Glass Cooktop - A smooth cooktop surface makes cleaning quick and easy
- Ribbon Heating Elements - Provide powerful heat beneath a smooth glass surface to ensure even heat and fast warm-up times
- Dual Size Ribbon Element - Offers a convenient choice of using a 9" or 12" heating element, depending on the size of the pan
- PowerBoil™ Element - Provides up to 3,000 watts of power to speed the boiling process
- Frameless Design - A smooth and seamless cooktop surface makes cleaning quick and easy
- Dishwasher-Safe Knobs - Feature a robust construction for safe and easy cleaning
- Hot Surface Indicator Lights - Illuminate when the cooking surface is active and hot, adding convenience and safe caution
- Melt Setting - Optimized for melting chocolate, this setting delivers the low gentle heat needed
- Model JP356WMWW - White on white
- Model JP356BMBB - Black on black



imagination at work