

# JDS28WK/CK

## GE® 30" Drop-In Electric Range

### Dimensions and Installation Information

KW Rating	
240V	10.8
208V	8.1

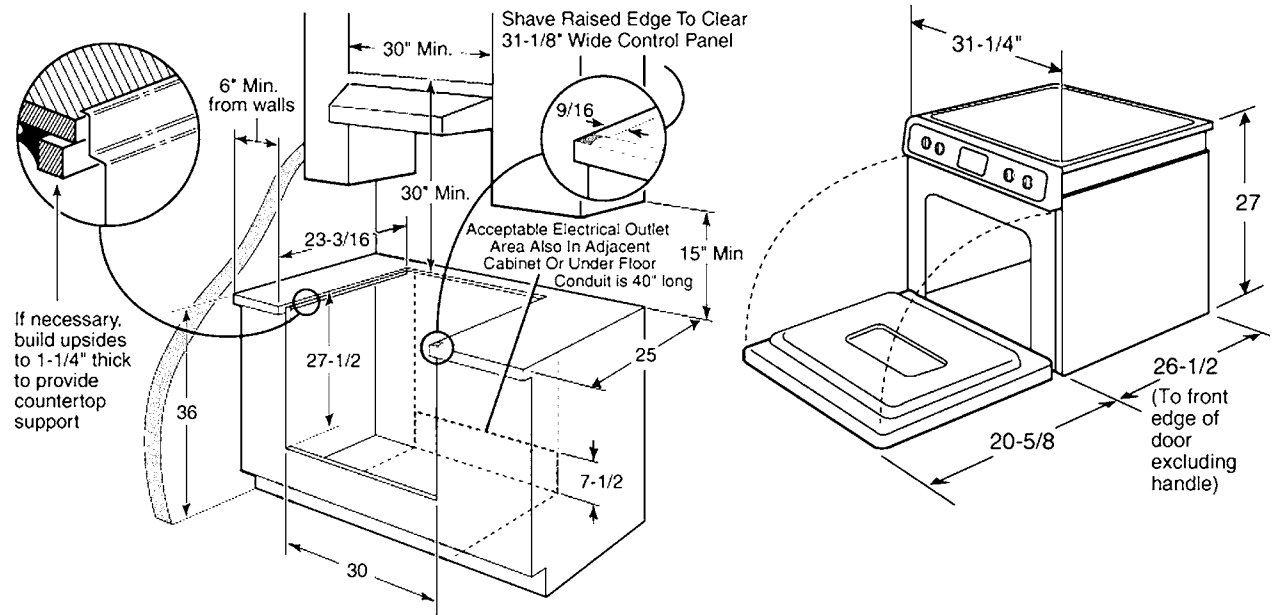
**Note:** Cabinets installed adjacent to drop-in ranges must have an adhesion spec of at least 194°.

#### Important

30" Drop-In Ranges are designed to hang from the countertop. It does not rest on the floor. For installation alternatives, refer to installation instructions packed with product.

**Note:** 30" Drop-In Electric Ranges conform to U.L. requirements for 3" minimum spacing between range and side walls above countertop.

**Installation Information:** Before installing, consult installation instructions packed with product for current dimensional data.



For answers to your Monogram®, GE Profile™ or GE® appliance questions, visit our website at [ge.com](http://ge.com) or call GE Answer Center® service, 800.626.2000.

Dimension and installation information are shown in inches.



imagination at work



All GE ranges are equipped with an Anti-Tip device. The installation of this device is an important, required step in the installation of the range.



Listed by Underwriters Laboratories

Specification Created 11/04

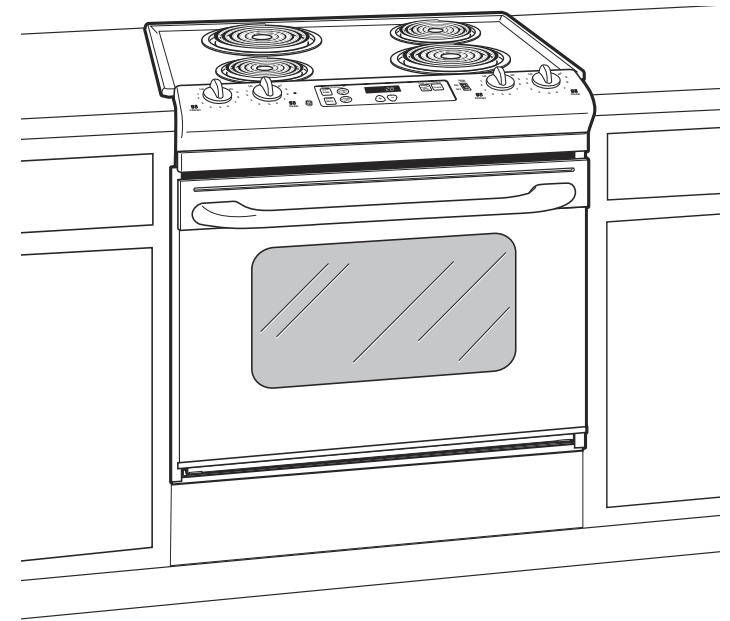
320828

# JDS28WK/CK

## GE® 30" Drop-In Electric Range

### Features and Benefits

- Coil heating elements - Provide consistent and even heat on the cooktop with a plug-in element that is removable for easy cleaning
- Electronic clock and timer - Features a convenient digital clock and easy-to-use timer with an audible signal to help coordinate cooking times in the kitchen
- Big ClearView™ window - An extra large clear window makes monitoring the progress of food easy
- Lift-up porcelain cooktop - Makes spills and messes under the cooktop easily accessible and within reach
- Dual element bake - Alternates the upper broiling element and the lower baking element for even heating and optimal baking results
- Audible preheat signal - Features an audible signal that activates when the oven has reached the desired cooking temperature
- Frameless glass oven door - Offers an easy-to-clean and stylish design that blends seamlessly into existing cabinetry
- Chrome drip bowls - Contain minor spills and are removable for easy cleaning
- Two oven racks - Feature a durable construction to help accommodate any size or type of cookware
- Multiple oven rack positions - Deliver flexibility and allow consumers to make the most of available oven capacity
- Broiler pan with grid - Convenient broiler pan can be used when broiling for crisping and browning
- Model JDS28WKWW - White on white (White door and white cooktop)
- Model JDS28CKCC - Bisque on bisque (Bisque door and bisque cooktop)



imagination at work