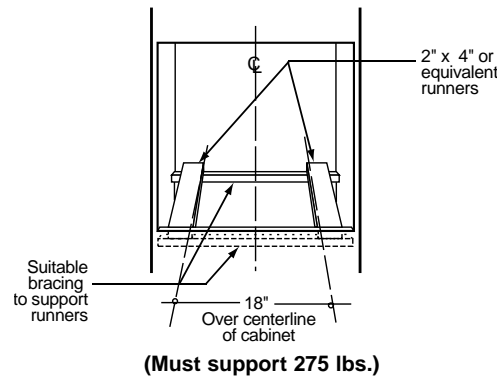
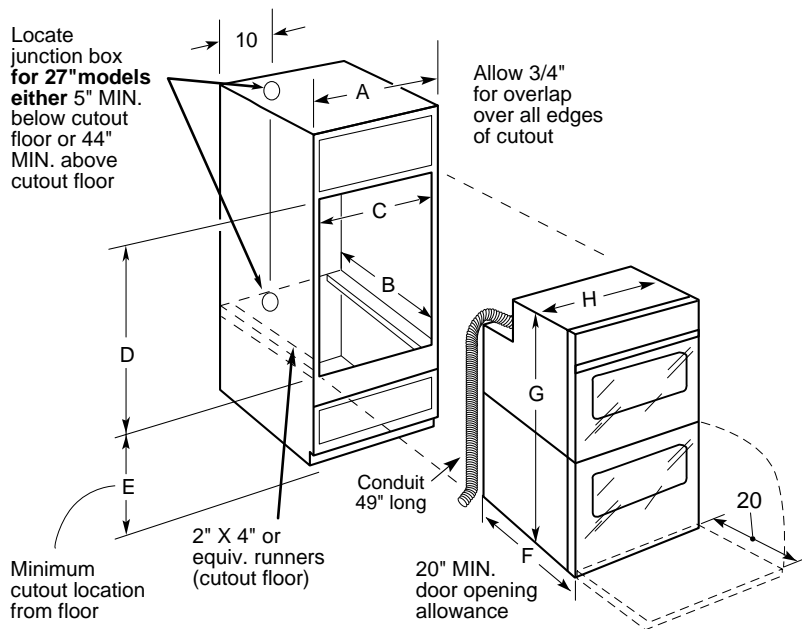




GE Appliances

JKP28BF/WF – GE 27" Built-In Double Oven

27" Built-In Double Oven Dimensions (in inches)



KW Rating	
240V	7.1
208V	5.3
Breaker Size	
240V	30 Amps
208V	30 Amps

Cabinet	27"
A – Cabinet Width Required	27" min.
B – Minimum Cabinet Depth	23-5/8"
C – Opening Width	25" min. - 25-1/4 max.
D – Opening Height	50-1/8" max.
E – Recommended Minimum Cutout Location from Floor	13-1/4"
Oven	
F – Overall Depth	23-5/8"
	w/o trim 50-1/4"
G – Overall Height	with trim 51"
H – Overall Width	26-5/8"

Installation Information: Before installing, consult installation instructions packed with product for current dimensional data.

Note: Cabinets installed adjacent to wall ovens must have an adhesion spec of at least a 194°F temperature rating.

Note: If marks, blemishes or the cutout opening is visible above the installed oven, it may be necessary to add wood shims under the runners and front trim until the marks or openings are covered.

Electric wall ovens are not approved for installation with a plug and receptacle. They must be hard wired in accordance with installation instructions.

Specification Created 7/02

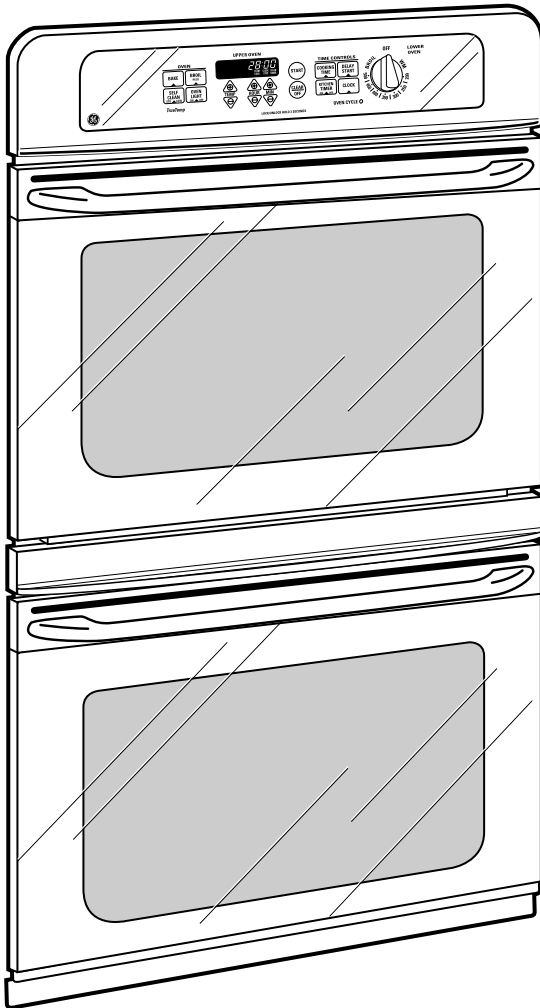
For answers to your Monogram®, GE Profile™ or GE appliance questions, visit our website at GEAppliances.com or call GE Answer Center® service, 800.626.2000.





GE Appliances

JKP28BF/WF – GE 27" Built-In Double Oven



Features and Benefits

- TrueTemp™ System
- 2 Extra-Large 3.9 cu. ft. Capacity Ovens (Self-Clean Upper Oven)
- 2 Oven Racks with 4 Embossed Positions in Each Oven
- SmartSet Electronic Oven Controls (Upper Oven)
- Six-Pass Bake Element and Interior Oven Light
- True Frameless Glass Oven Doors with Big ClearView™ Windows
- Certified Sabbath Mode (Upper Oven)
- Installation Flexibility
- Model JKP28WFWW – White on white
- Model JKP28BFBB – Black on black