

LEGEND SERIES

Topmount 50/50 Double Bowl Canadian series Model 3120-8BS



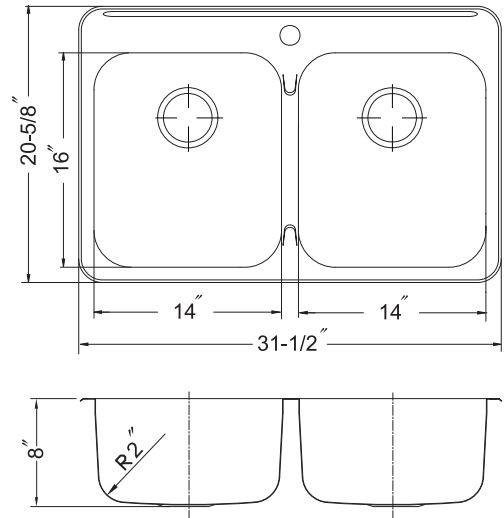
3120-8BS

FEATURES

- Premium grade T-304 stainless steel
- 8" depth • 19 gauge • 1 hole
- StoneGuard™ undercoating over Super-Silencer pad
- Lustrous satin with highlighted rim
- Fits 36" sink base • 3-1/2" drain opening
- Supplied with fasteners and instructions
- Complies with ASME A112.19.3-2000, UPC®
- Lifetime Limited Warranty



ASME A112.19.3-2000



OPTIONAL ACCESSORIES

Strainer: 190-9180

OVERALL DIMENSIONS	EACH BOWL	CUTOUT SIZE	PACKAGING*	WEIGHT*
31-1/2" x 20-5/8"	14" x 16"	30-1/2" x 19-7/8"	1/16/20 pcs.	17/310/330 lbs.

*Standard packaging: Single boxed / Pallet of single boxed / Pallet of bulk pack.
All dimensions are in inches. Specifications subject to change without notice.

Project/Job name _____

Architect/Engineer _____

Contractor _____

Model _____ Q'ty _____

Notes _____

Installation profile

