

Installation Instructions

Gas Slide-In Range

JGS905, JGS968

? Questions? Call 800.GE.CARES (800.432.2737) or Visit our Website at: ge.com
In Canada, call 1.800.361.3400 or Visit our Website at: www.geappliances.ca

IN THE COMMONWEALTH OF MASSACHUSETTS:

- This product must be installed by a licensed plumber or gas fitter.
- When using ball-type gas shut-off valves, they shall be the T-handle type.
- A flexible gas connector, when used, must not exceed 3 feet.

BEFORE YOU BEGIN

Read these instructions completely and carefully.

- **IMPORTANT** — Save these instructions for local inspector's use.
- **IMPORTANT** — Observe all governing codes and ordinances.
- **Note to Installer** – Be sure to leave these instructions with the Consumer.
- **Note to Consumer** – Keep these instructions for future reference.
- Product failure due to improper installation is not covered under the Warranty.

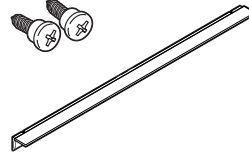
⚠ WARNING — This appliance must be properly grounded.

- **IMPORTANT** — Leak testing of the appliance shall be conducted according to the manufacturer's instructions.
- **Proper installation is the responsibility of the installer and product failure due to improper installation is NOT covered under warranty.**

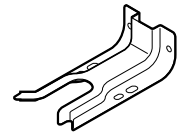
PARTS INCLUDED



Rear Filler
2 Screws



Screws

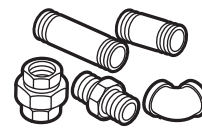


Anti-Tip Bracket

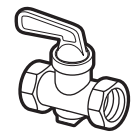
MATERIALS YOU MAY NEED



Joint Sealant



Pipe Fittings



Shut Off Valve



CSA-Approved Flexible Gas Line
3/8" Min. ID, 1/2" NPT Connection,
3-foot Maximum Length (Massachusetts Only)

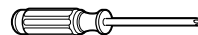
TOOLS YOU WILL NEED



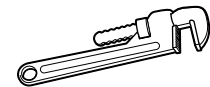
1/4" Nut Driver



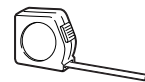
Level



Phillips Head
Screwdriver



Pipe Wrench



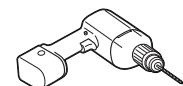
Tape Measure



Wrench or Pliers
(for 1-7/16" Nut)



Safety Glasses



Drill

Installation Instructions

IMPORTANT SAFETY INSTRUCTIONS

FOR YOUR SAFETY:

⚠ WARNING — If the information in this manual is not followed exactly, a fire, explosion or gas leak may result causing property damage, personal injury or death.

Do not store or use gasoline or other flammable vapors and liquids in the vicinity of this or any other appliance!



WHAT TO DO IF YOU SMELL GAS:

- Do not try to light any appliance. Do not touch any electrical switch; do not use any phone in your building.
- Immediately call your gas supplier from a neighbor's phone. Follow the gas supplier's instructions.
- If you cannot reach your gas supplier, call the fire department.

Installation and service must be performed by a qualified installer, service agency or the gas supplier.

This range has been design certified by UNDERWRITERS LABORATORIES for use in the United States and Canada. You'll find safety precautions in your Owner's Manual. Read them carefully.

- Installation of this range must conform with local codes or in the absence of local codes with the National Fuel Gas Code, ANSI Z223.1–Latest edition.
- Be sure your range is installed properly by a qualified installer or service technician.
- To eliminate reaching over surface burners, cabinet storage above burner should be avoided.
- Do not install the unit near an outside door or where a draft may affect its use.

Installation Instructions

ELECTRICAL REQUIREMENTS

This appliance must be supplied with the proper voltage and frequency and connected to an individual, properly grounded branch circuit, protected by a circuit breaker or fuse having amperage as noted on the rating plate. (Rating plate is located above the storage drawer below the oven frame).

We recommend you have the electrical wiring and hookup of your range connected by a qualified electrician. After installation, have the electrician show you where your main range disconnect is located.

Check with your local utilities for electrical codes which apply in your area. Failure to wire your range according to governing codes could result in a hazardous condition. If there are no codes, your range must be wired and fused to meet the requirements of the National Electrical Code, ANSI/NFPA No. 70—Latest edition. You can get a copy by writing:

National Fire Protection Association
Batterymarch Park
Quincy, MA 02269

In Canada your range must be wired and fused to meet the requirements of the Canadian Electrical Code.

Be sure the installation of this product in a mobile home conforms with the Manufactured Home Construction and Safety Standard, Title 24 CFR, Part 3280. If this standard does not apply, you must follow the standard for Manufactured Home Installations, ANSI A225.1 and Manufactured Home Installations, Sites and Communities and ANSI/NFPA 501A or with local codes. You can get a copy of the Federal Standard by Writing:

Office of Mobile Home Standards
HUD Building
451 7th Street, S.W.
Washington, D.C. 24010

ANTI-TIP DEVICE

▲ WARNING — To reduce the risk of tipping, the appliance must be secured by properly installed Anti-Tip bracket packed with this appliance.

To check if the bracket is installed and engaged properly, carefully tip the range forward. The anti-tip bracket should engage and prevent the range from tipping over.



▲ WARNING —

- All ranges can tip
- Injury to persons could result
- Install Anti-Tip bracket packed with range
- See Installation Instructions

If you pull the range out and away from the wall for any reason, make sure the Anti-Tip bracket is engaged when the range is pushed back against the wall.

Installation Instructions

PRE-INSTALLATION CHECKLIST

1 INSPECT INSTALLATION LOCATION

Refer to alternate construction section for the following non-standard installations.

A Counter opening extends to the wall:

Maintop Filler (supplied with the range.) (See page 15 for Installation Instructions) or

Backguard (Kit JXS36XX or JXS39SS).

B Counter height greater than 36-3/4":

Lower Trim Slide-In (Kit JXS56XX).

C One side is not enclosed by a cabinet:

Bodyside (Kit JXS76XX).

D Island Installation:

To provide an optimum installation, the top surface of the countertop must be level and flat (lie on the same plane) around the 3 sides that are adjacent to range cooktop. Proper adjustments to make the top flat should be made or gaps between the countertop and range cooktop may occur. Forcing the cooktop to fit may cause excessive gaps and could break the glass and void the warranty.

To obtain Kits:

- Visit GE Web Site (See page 1)
- Call GE Answer Center (See page 1)
- Contact Dealer

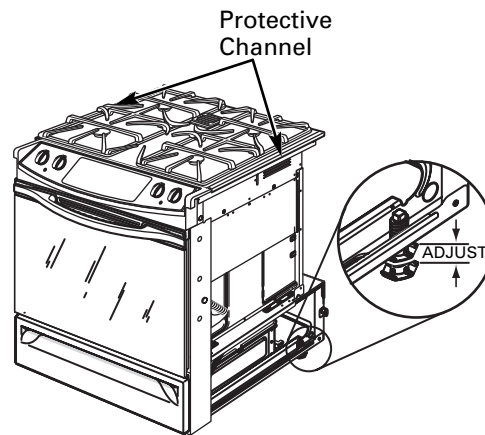
2 MOVE RANGE INDOORS IN FRONT OF CABINET OPENING

Do not use hand trucks when moving the unpackaged range. Cooktop glass may be broken.

3 PROTECT THE KITCHEN FLOOR

Flatten and place a piece of the shipping carton in front of the installation location to protect the flooring.

NOTE: Do not remove the protective channel from the sides of the glass cooktop, if applicable, until later in the installation.



4 CAREFULLY, TILT RANGE TO ACCESS RANGE LEVELING LEGS

Use an adjustable wrench to screw leveling legs out so that glass support flanges clear top of countertop.

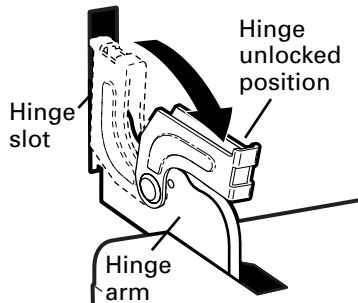
Installation Instructions

5 REMOVE THE DOOR IF NECESSARY

Door removal is not a requirement for installation of the product, but is an added convenience. To remove the door:

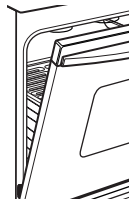
A UNLOCK HINGES

Push both hinge locks down toward the door frame, to the unlocked position. This may require a flat blade screwdriver.



B POSITION DOOR

Place hands on both sides of the door, and close the oven door to the removal position. This is half way between the broil stop and fully closed.



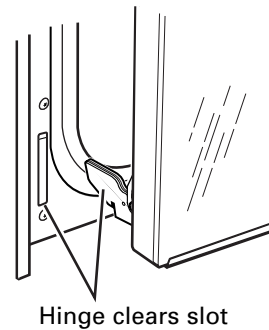
5 REMOVE THE DOOR IF NECESSARY (cont.)

C LIFT OFF DOOR

Lift door up and out until the hinge arms clear the slots.

DO NOT LIFT THE DOOR BY THE HANDLE.

NOTE: The oven door is very heavy. Be sure you have a firm grip before lifting the oven door off the hinges. Use caution once the door is removed. Do not lay the door on its handle. This could cause dents or scratches.



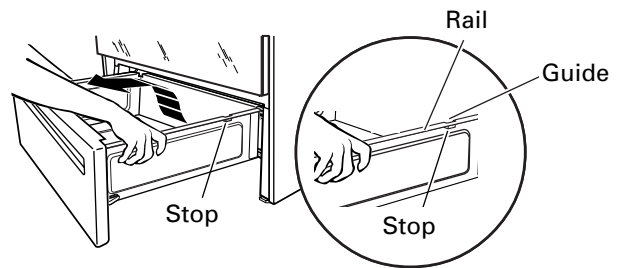
6 REMOVE PACKING MATERIALS

Also remove labels on door, plastic on trim and panel and all tape around the range.

7 REMOVE STORAGE DRAWER

A Pull the drawer out until it stops.

B Lift the front of the drawer until the stops clear the guides.



C Pull forward and remove the drawer.

Installation Instructions

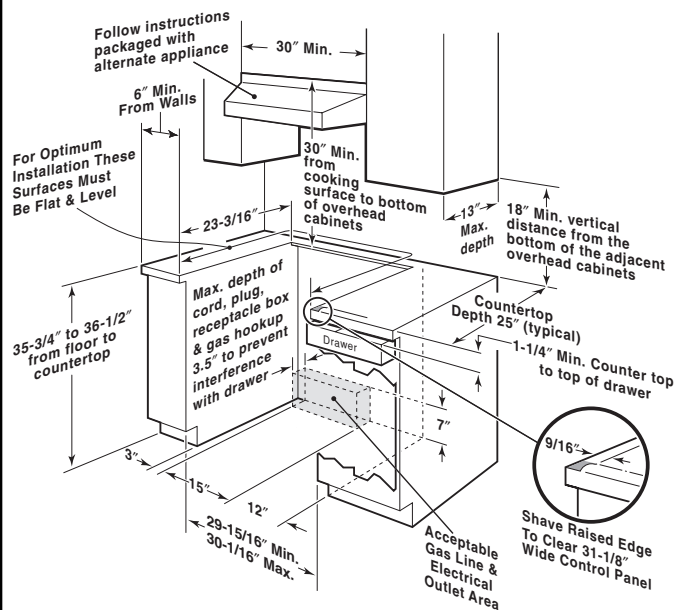
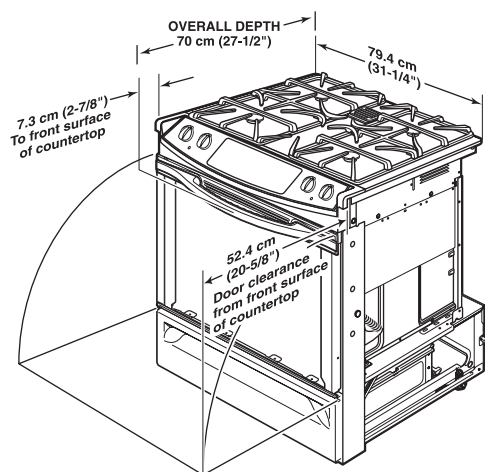
PRE-INSTALLATION CHECKLIST (CONT.)

8 PRE-INSTALLATION CUTOUT AND REQUIRED CLEARANCES

If cabinets are placed less than 30" above the range, see Alternate Construction, Step 19E, on page 16.

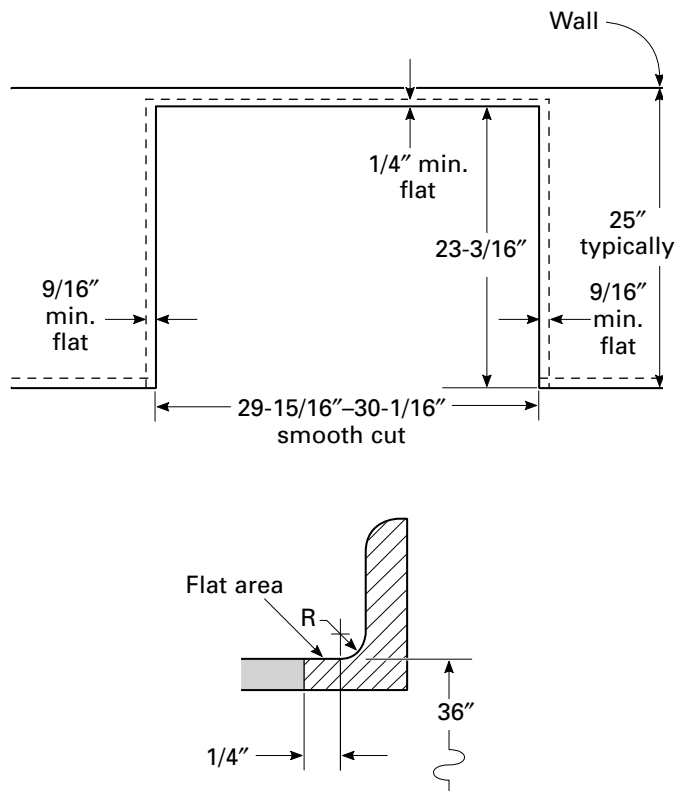
NOTE: Product meets UL requirements for 0" clearance to back and side walls.

Wall coverings, counters and cabinets around range must withstand heat (up to 194°F) generated by the range.



9 STANDARD INSTALLATION

If the construction of your cabinet cannot provide a 1/4" flat area at the back of the countertop opening, consider changing the countertop to accommodate this dimension. See Alternate Construction section. If the area is not flat, excess tension may be applied to the glass cooktop, causing breakage and voiding the warranty.



ELECTRICAL CONNECTIONS

10 INSTALLATION—ELECTRICAL CONNECTIONS

- A** Because of potential safety hazards under certain conditions, we strongly recommend against the use of an extension cord. However, if you still elect to use an extension cord, it is absolutely necessary that it is a UL listed 3-wire grounding-type appliance extension cord and that the current carrying rating of the cord in amperes is equivalent to or greater than the branch circuit rating. Such extension cords are obtainable through your local appliance dealer.

IMPORTANT: (Please read carefully) FOR PERSONAL SAFETY, THIS APPLIANCE MUST BE PROPERLY GROUNDED.

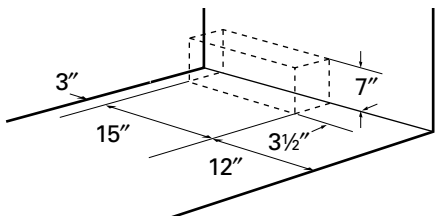
- B** An adequate electrical supply and outlet must be used to operate the electrical parts of your range.
- The power cord of this appliance is equipped with a three-prong (grounding) plug which must be used with a properly grounded three-hole outlet with standard 120 Volt, 60 cycle AC household current.
 - When a standard two-prong wall receptacle is encountered, it is the personal responsibility and obligation of the customer to have it replaced with a properly grounded three-prong wall receptacle by a qualified electrician.

Do not under any circumstances cut or remove grounding prong from the range cord. Failure to provide proper ground may create a hazardous condition.

Installation Instructions

GAS CONNECTIONS

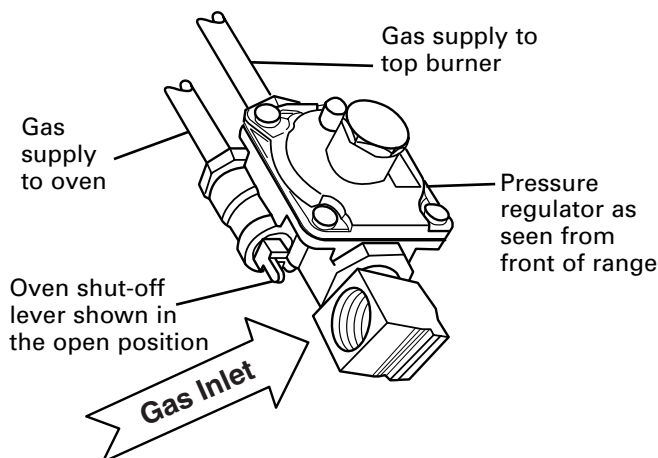
11 MAKING THE CONNECTIONS



- A** Install a manual shut-off valve in the gas supply line in an easily accessible location.
- B** Know how and where to shut off the gas supply to the range.
- C** Shut off gas supply before removing an old range. Leave it off until hookup of new range is finished.
- D** Because solid pipe restricts moving the range, we recommend use of a C.S.A. certified flexible metal appliance connector.

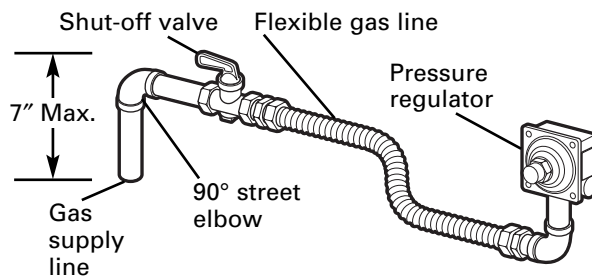
⚠ WARNING: Never reuse old flexible connectors. The use of old flexible connectors can cause gas leaks and personal injury. Always use new flexible connectors when installing a gas appliance.

- E** Before making gas connections, make sure that the oven shut-off lever (visible at the back of range) is in the open position.



11 MAKING THE CONNECTIONS (cont.)

- F** Install 1/2" flare union adaptor to the 1/2" NPT elbow on pressure regulator.
- G** Connect flexible appliance connector to flare union.
- H** Move range into approximate position and connect flexible connector to gas supply line with proper flare union adaptor.



- I** To prevent gas leaks, put a pipe joint sealant or Teflon® tape on all male threads. **NOTE:** Make sure sealant or tape is compatible with Natural and LP gases.
- J** When you are finished making connections, be sure that all range knobs are turned to OFF before you open the main gas supply valve.

⚠ WARNING: Do not use a flame to check for gas leaks. Use liquid leak detector at all joints and connections to check for leaks in the system.

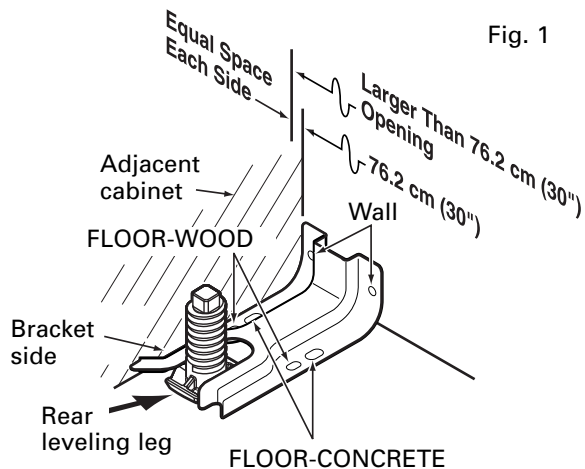
Installation Instructions

INSTALL THE RANGE

12 INSTALL THE ANTI-TIP BRACKET

A LOCATE THE BRACKET

- Decide whether the bracket will be installed on the right or left side of the range opening.
- Place the bracket as shown in Fig. 1.

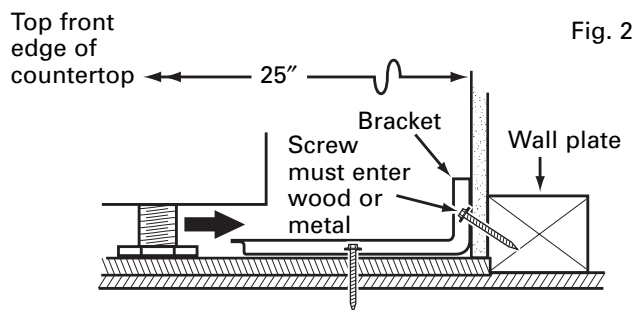


12 INSTALL THE ANTI-TIP BRACKET (cont.)

B INSTALL THE BRACKET IN WOOD OR CONCRETE

INSTALLATION—WOOD CONSTRUCTIONS

- Locate the centers of the 4 holes identified in Fig. 1 as Floor-Wood and Wall.
- Drill a 1/8" pilot hole through the pre-marked areas. Note the angle of the wall screw in Fig. 2.
- Mount the Anti-Tip bracket with the 4 screws provided.



INSTALLATION—CONCRETE CONSTRUCTIONS

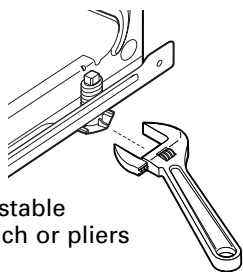
- For concrete installation, you will need two 1/4" x 1-1/2" lag screws and two sleeve anchors.
- Locate the center of the 4 holes identified in Fig. 1 as Floor-Concrete and Wall. Drill the recommended size holes in each.
- Install the sleeve anchors into the predrilled concrete holes and install the lag and wall screws through the Anti-Tip bracket. Make sure the screws are securely tightened.

Installation Instructions

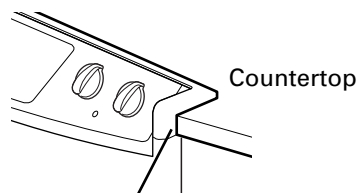
INSTALL THE RANGE (CONT.)

13 SLIDE RANGE INTO OPENING

- A** Position the range in front of the cabinet opening.
- B** Make sure that the glass which overhangs the countertop clears the countertop. If necessary, raise the unit by lowering the leveling legs.
- C** Push while lifting the range into the opening, until the range is within 2" of engaging the anti-tip bracket.
- D** Remove the protective trim from the side of glass (if provided).
- E** Using the adjustable pliers or wrench, carefully screw in the back leveling leg until the glass overhang comes to rest on the countertop.



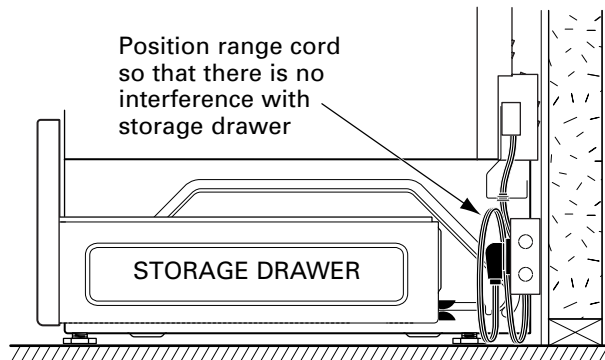
- F** Carefully screw in the front two leveling legs (similar to Step E) until the glass overhang touches the countertop.
- G** Carefully push the range into the opening until the countertop fully engages the control panel. The back glass overhang should cover the cutout opening.



Make sure the edge of the countertop fits flush against the end of the front control panel

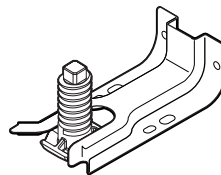
13 SLIDE RANGE INTO OPENING (cont.)

- H** Plug the range cord into the receptacle. Locate the cord in the back of the range in a manner that it will not touch or be moved by the drawer.



14 FINAL CHECK OF ANTI-TIP BRACKET

When installation is complete and the range is in place, check to be sure that the rear leveling leg is fully inserted into the slot of the Anti-Tip Bracket.



Installation Instructions

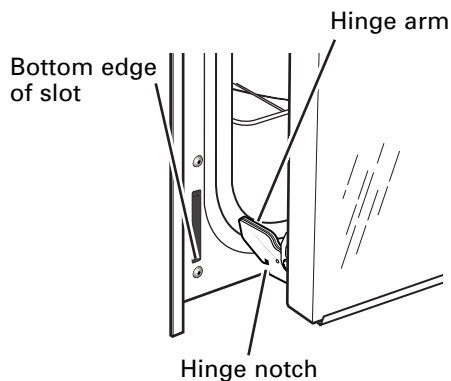
15 REPLACE THE OVEN DOOR

NOTE: The oven door is heavy. You may need help lifting the door high enough to slide it into the hinge slots. Do not lift the door by the handle.

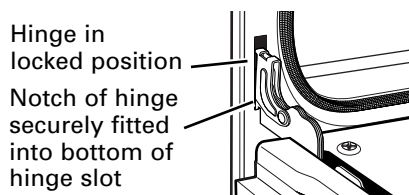
- A** Lift the oven door by placing one hand on each side. The door is heavy, so you may need help. Do not lift the door by the handle.



- B** With the door at the same angle as the removal position (halfway between the closed and broil stop position), seat the notch of the hinge arm into the bottom edge of the hinge slot. The notch of the hinge arm must be fully seated into the bottom of the slot.



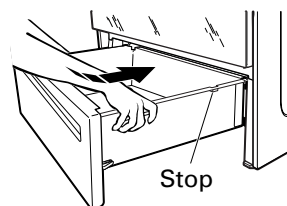
- C** Open the oven door as far as it will open.
D Push the hinge locks up against the front frame of the oven cavity, to the locked position.



- E** Close the oven door.

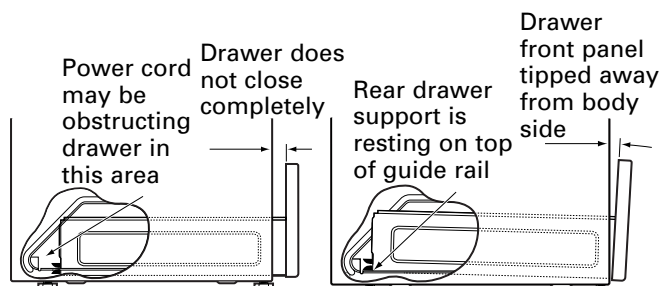
16 REPLACE THE STORAGE DRAWER

- A** Place the drawer rail on the guides.
B Push the drawer in until it stops.
C Lift the front of the drawer and push in until the stops clear the guides.
D Lower the front of the drawer and push in until it closes.



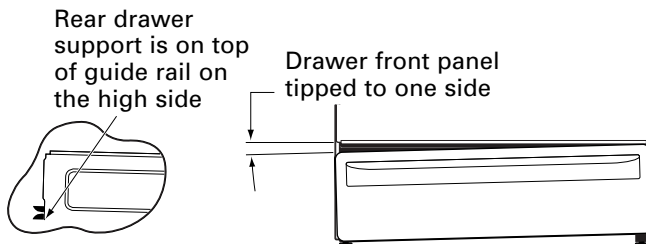
SPECIAL INSTRUCTIONS IF YOU ARE HAVING PROBLEMS WHILE REPLACING THE STORAGE DRAWER

If Drawer Won't Close:



Remove and replace, making sure the power cord is not obstructing the drawer and/or the rail is in the guide.

If Drawer is Crooked:



Remove and replace, making sure the rail is in the guide.

Installation Instructions

INSTALL THE RANGE (CONT.)

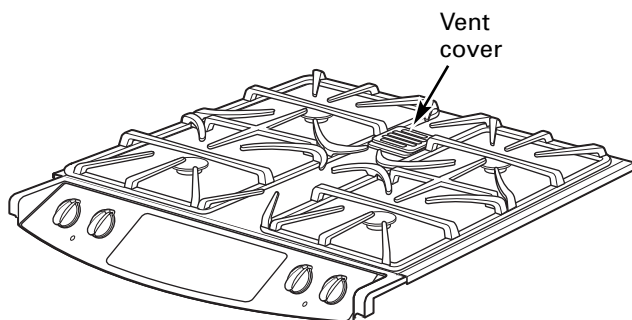
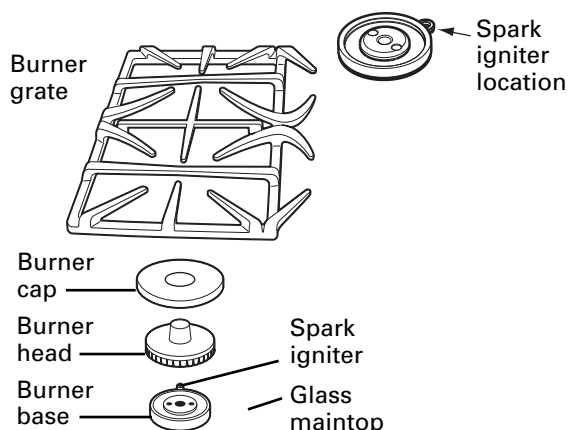
17 COOKTOP BURNERS

A ASSEMBLING THE BURNERS

CAUTION: The electrode of the spark igniter is exposed. Be careful not to snag the electrode of the spark igniter with a cleaning cloth. Damage to the igniter could occur. Be careful not to turn on any cooktop controls while cleaning. A slight electrical shock might result, which could cause you to knock over hot cookware.

FOR GLASS CERAMIC COOKTOPS

- Place the burner head on the burner base, so that the pins match up with the slots on the base.
- Position the burner cap on the burner head.
- Place the burner grate over the burner assembly. The grates fit over the raised area on the burner head.



B CHECK FOR LEAKS

Turn the gas supply on and use a liquid leak detector (soap solution) at all joints and connections to check for leaks. **Do not use an open flame to look for leaks.** Be sure all leaks are stopped before lighting burners.

C PRESSURE TEST INFORMATION

The maximum allowable supply pressure for the regulator is 14" W.C. The minimum supply pressure needed to check the regulator setting is 7" W.C. for natural gas and 10" W.C. for LP gas.

WARNING: The range and its individual shut-off valve must be disconnected from the gas supply piping system during any pressure testing of the gas supply system at test pressures of more than 1/2 psig (pounds per square inch gauge). The range must be isolated from the gas supply piping system by closing its individual shut-off valve during any pressure testing of the gas supply system at test pressures equal to or greater than 1/2 psig. NOTE: 1/2 psig = 13.855" w.c.

Installation Instructions

D CHECK THE IGNITERS

Operation of the electric igniters should be checked after the cooktop and supply line have been carefully checked for leaks and the cooktop has been connected to the electrical power.

- a. Turn on gas.
- b. Push and turn a burner valve to the LITE position.
 - The burner valve should light when gas is available to the burner.
 - Once the burner lights, it should be turned out of the LITE position.
- c. Try each valve separately until all burners have been checked.

E BURNER IGNITION

Cooktop Spark Ignition – When you turn the cooktop knob to LITE, the spark igniter makes a series of electric sparks (ticking sounds) which light the burner. During a power failure the burners will not light automatically. In an emergency, a cooktop burner may be lit with a match by following the steps below.

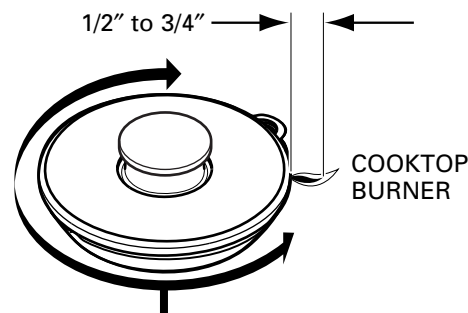
▲WARNING: Lighting gas burners with a match is dangerous. You should match light the cooktop burners only in an emergency.

- a. Light a match and hold the flame near the burner you want to light. Wooden matches work best.
- b. Push in and turn the control knob slowly. Be sure you are turning the correct knob for the burner you are lighting.

NOTE: If the burner does not light within five seconds, turn the knob off and wait five minutes before trying again.

F BURNER FLAMES

Turn each burner on. Turn each burner knob to the high position. Flames should be blue in color with no or little trace of yellow. The burner flames should not flutter or blow away from the burner. The inner cone of the flame should be between 1/2" to 3/4" long. If the burner flames are yellow in color or not the proper length, call GE Service.



Flames should circle burner

Burners should be checked frequently.

▲WARNING: If you attempt to measure the inner cone of the flame, please use caution. Burns could result.

Installation Instructions

INSTALL THE RANGE (CONT.)

18 BAKE AND BROIL BURNERS

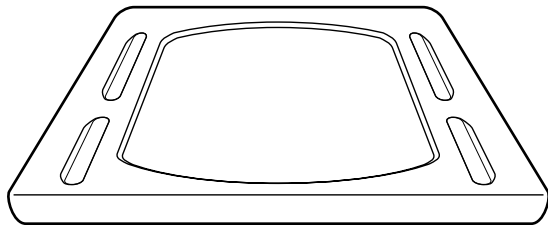
If the bake and/or broil burners have lifting or "lazy" (floating) flames or you have a yellow flame, perform the following procedures:

A CHECKING THE OVEN BURNERS

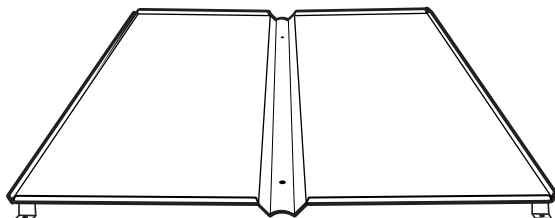
To check the bake burner flames with the oven door in the closed position:

1. Open the door and remove it.
2. Remove the oven racks.
3. Remove the oven bottom.

Lift the oven bottom up at rear and pull forward.



4. Remove the four screws holding the burner baffle (flame spreader) to the burner box.



5. Install and close the oven door.
6. Turn on the bake burner.

As you watch the flames, check the following:

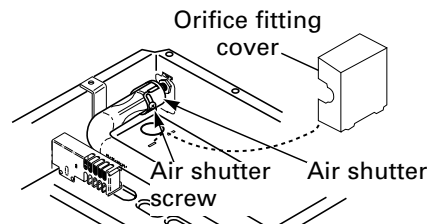
- Burner flames should not flutter or blow away from the burner.
- They should be blue in color with no trace of yellow.

The broil burner flames may be seen without removing the racks, oven bottom or bake baffles.

B ADJUST THE AIR SHUTTER

BAKE BURNER

1. Remove the orifice fitting cover.
2. Use a screwdriver to loosen the air shutter screw.
3. Adjust the air shutter to 11/32".
4. Retighten the air shutter screw.



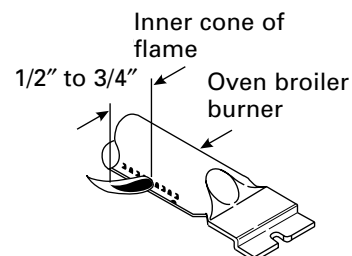
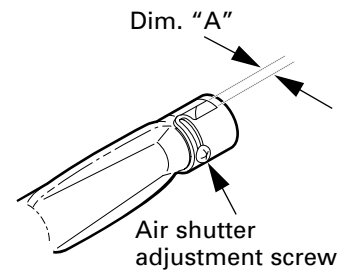
WHAT ADJUSTMENT TO MAKE:

- a. If the flames are yellow, open the air shutter more than the original setting.
- b. If the flames blow away or fluttered from the burner, close the air shutter more than the original setting.

Burners should be checked frequently.

BROIL BURNER

1. The broil burner is located and accessible in the top rear of the oven.
2. Using a screwdriver, loosen the air shutter adjustment screw.
3. Make the air shutter adjustment.
4. Retighten the air shutter screw.
5. Check the inner cone of the flame. It should be between 1/2" and 3/4" long for the oven bake and broil burners.



WHEN ALL ADJUSTMENTS ARE MADE AND THE RESULTS ARE SATISFACTORY

1. Replace the orifice fitting cover.
2. Replace the burner baffle (flame spreader) and screws.
3. Replace the oven bottom.
4. Replace the oven door.

Installation Instructions

19 ALTERNATE CONSTRUCTION PREPARATION

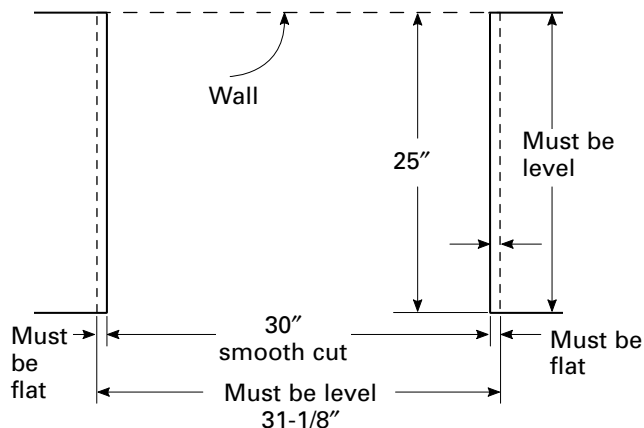
A OPTIONAL MAINTOP FILLER OR BACKGUARD KIT

If counter opening extends to the wall, it will require Maintop Filler Kit (supplied with the range) or Backguard Kit (JXS36XX or JXS39SS) to close the gap.

NOTE: If the countertop is greater than 25", it will show a gap between the backguard and wall or between filler kit and the wall.

If the countertop is less than 25", a gap will occur between the countertop front and the control panel ends (see Step 13G).

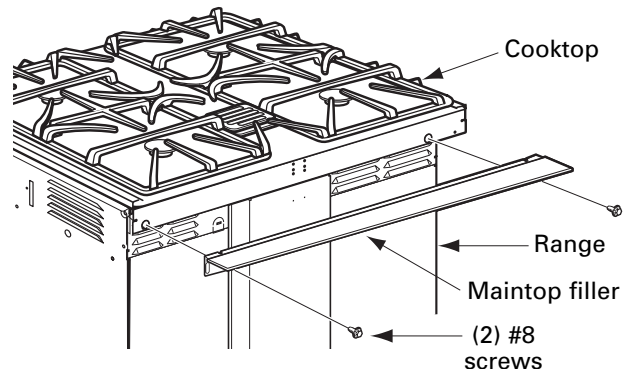
If you are using the optional backguard kit, refer to the backguard kit instructions for installation details.



If you use the filler kit, place the metal filler piece supplied with the range to the back of the range as shown in the figure below. Start the 2 screws into the upper holes at the outside rear of the range above the louvers and through the slots in the trim, holding the filler piece centered on the maintop frame and pushing upward to close the gap between the bottom of the glass and the filler trim.

When the trim is set in the proper position, tighten the 2 mounting screws. The top of the trim should be located below the top surface of the glass to prevent pots, pans and skillets from damaging the painted parts.

Refer to the Standard Installation of the Range on page 6.



B FOR NON-BUILT-IN INSTALLATION (END OF CABINET LOCATION)

When installing the range at the end of a cabinet section which will expose the unfinished side of the range, use Body Side Kit (JXS76XX). Refer to the kit instructions for installation details.

C ISLAND INSTALLATION

Attach the Anti-Tip bracket per instructions in Step 12, making sure that the rear of the bracket is 25" from the front of the countertop.

Be aware that the screws provided are long and may penetrate through the back of the island cabinets. In this event, use shorter screws (not provided) or the screws provided should be used in the floor (see Step 12B for Wood/Concrete Floor Installation).

Do not use Backguard Kit JXS36XX or JXS39SS.

Installation Instructions

INSTALL THE RANGE (CONT.)

19 ALTERNATE CONSTRUCTION PREPARATION (cont.)

D FOR CABINET OPENINGS APPROXIMATELY 30-3/8"

If range is installed in cabinet opening approximately 30-3/8", the Vertical Side Trim Kit (JXS86XX) should be used to cover gaps between range sides and cabinet. Refer to the kit instructions for installation details.

E CABINETS OVER THE RANGE LESS THAN 30"

If a 30" clearance between cooking surface and overhead combustible material or metal cabinets cannot be maintained, protect the underside of the cabinets above the cooktop with not less than 1/4" insulating millboard covered with sheet metal not less than 0.0122" thick.

20 OPERATION CHECKLIST

- Double check to make sure everything in this guide has been completed. Rechecking steps will ensure safe use of the cooktop.
- Make sure all controls are left in the OFF position.
- Make sure the flow of combustion and ventilation air to the cooktop is unobstructed.
- The serial plate for your Range is located under the oven door above the storage area. In addition to the model and serial numbers, it tells you the ratings of the burners and the type of fuel and pressure the cooktop was adjusted for when it left the factory.
- When ordering parts, always include the serial number and model number to ensure proper replacement parts.
- **Recheck Steps: Double check to make sure everything in this guide has been completed. Rechecking steps will ensure safe use of the Range.**

Please see L.P. conversion instructions supplied with this range when L.P. Gas is used.

NOTE: Instructions are mounted on regulator bracket.

IN SOME CASES

- A** With L.P. gas, some yellow tipping on the outer cone is normal.
- B** Foreign particles in the gas line may cause an orange flame at first, but this will soon disappear.

SPECIAL NOTE:

To convert the oven back to natural gas, reverse the instructions given in making L.P. Adjustments.

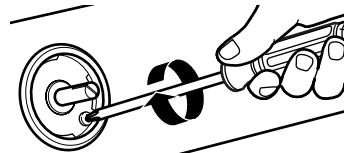


Once the conversion is complete and checked ok, fill out the LP sticker and include your name, organization and the date the conversion was made. Apply the sticker near the regulator to alert others in the future that this appliance has been converted to LP gas. If converting back to natural gas from LP, please remove the sticker so others know the appliance is set to use natural gas.

ADJUSTING LOW FLAME SETTING ON COOKTOP BURNERS

Low setting adjustments must be made with two other burners in operation on a medium setting. This procedure prevents the low flame from being set too low, resulting in the flame being extinguished when other burners are turned on.

- A** Remove the valve control knobs.
- B** Through the opening, locate the valve bypass screw located on the lower right side of the valves.
- C** Using a small screwdriver, screw down the bypass screw fully in a clockwise rotation.



Instructions d'installation

Cuisinière encastrée au gaz

JGS905, JGS968

? Si vous avez des questions, appelez le 1.800.361.3400 ou visitez notre site Web à l'adresse : www.electromenagersge.ca

AVANT DE COMMENCER

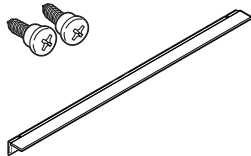
Lisez ces instructions complètement et avec soin.

- **IMPORTANT** — Conservez ces instructions pour l'inspecteur local.
- **IMPORTANT** — Respectez tous les codes et les ordonnances en vigueur.
- **Note à l'installateur** : Assurez-vous de donner toutes ces instructions au consommateur.
- **Note au consommateur** : Conservez ces instructions pour référence future.
- La garantie ne couvre aucune panne due à une mauvaise installation.

⚠ AVERTISSEMENT — Cet appareil ménager doit être bien mis à la terre.

- **IMPORTANT** — Vous devez faire les essais de fuite de cet appareil en vous conformant aux instructions du fabricant.
- **L'installateur est responsable d'une bonne installation et la garantie ne couvre aucune panne due à une mauvaise installation.**

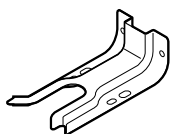
PIÈCES COMPRISES



Entretoise arrière
2 vis



Vis

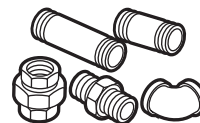


Soutien anti-basculement

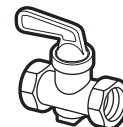
MATÉRIAUX DONT VOUS POUVEZ AVOIR BESOIN



Produit d'obturation des joints



Raccords de tuyaux



Robinet d'arrêt



Raccord flexible de gaz approuvé par l'ACNOR
DI min 3/8", Jonction NPT 1/2"

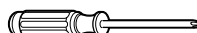
OUTILS DONT VOUS AUREZ BESOIN



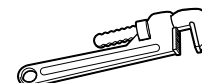
Tourne-écrou de 1/4"



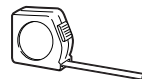
Niveau



Tournevis à tête Phillips



Clé à tube



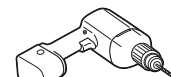
Mètre



Clé ou tenailles (pour un écrou de 1-7/16")



Lunettes de sécurité



Perceuse

Instructions d'installation

CONSEILS DE SÉCURITÉ IMPORTANTS

VOTRE SÉCURITÉ :

▲ AVERTISSEMENT —

Si vous ne suivez pas exactement les renseignements contenus dans ce manuel, vous pouvez occasionner un incendie, une explosion ou une fuite de gaz qui peut causer des dommages matériels, des blessures corporelles ou la mort.

Ne conservez ou n'usez jamais d'essence ou d'autre liquide ou vapeur inflammable à proximité de cet appareil ou de tout autre appareil ménager.



QUE FAIRE SI VOUS SENTEZ LE GAZ :

- N'essayez jamais d'allumer un appareil ménager. Ne touchez aucun commutateur électrique; n'utilisez aucun téléphone dans votre bâtiment.
- Appelez immédiatement votre fournisseur de gaz en utilisant le téléphone d'un voisin. Suivez les instructions du fournisseur de gaz.
- Si vous n'arrivez pas à communiquer avec votre fournisseur de gaz, appelez les pompiers.

L'installation et le service doivent être faits par un installateur qualifié, une agence de service ou votre fournisseur de gaz.

La conception de cette cuisinière a été certifiée par les UNDERWRITERS LABORATORIES du Canada. Vous trouverez des précautions de sécurité dans votre Manuel du propriétaire. Lisez-les avec soin.

- L'installation de cette cuisinière doit se conformer aux codes locaux ou, en l'absence de codes locaux, au National Fuel Gas Code, ANSI Z223.1 – Dernière édition.
- Assurez-vous que votre cuisinière soit bien installée par un installateur qualifié ou un technicien du service.
- Pour éviter de vous pencher sur les brûleurs de surface, vous devez éviter de placer au-dessus des brûleurs une armoire de rangement.
- N'installez jamais votre appareil près d'une porte donnant sur l'extérieur ou dans tout endroit où un courant d'air peut gêner son usage.

Instructions d'installation

EXIGENCES ÉLECTRIQUES

Cet appareil ménager doit être livré avec le bon voltage et la bonne fréquence et branché à son propre circuit de dérivation bien mis à la terre, protégé par un disjoncteur ou un fusible qui ont l'ampérage noté sur la plaque de cotation (la plaque de cotation est située au dessus du tiroir de rangement sous le châssis de la cuisinière.

Nous vous recommandons de faire brancher le câblage électrique et la fiche de votre cuisinière par un électricien qualifié. Après l'installation, demandez à l'électricien de vous montrer l'emplacement de votre coupe-circuit principal.

Demandez à votre entreprise de services publics les codes électriques en vigueur dans votre région. En ne câblant pas votre cuisinière conformément aux codes en vigueur, vous provoquez une situation dangereuse. En l'absence de codes, vous devez câbler et isoler votre cuisinière conformément aux exigences du Canadian Electrical Code.

MÉCANISME ANTI-BASCULANT

▲ AVERTISSEMENT — Pour réduire le risque de basculement, vous devez fixer votre appareil en installant bien le support anti-basculement livré avec votre appareil.

Pour vérifier si ce support est bien installé et engagé, faites doucement basculer la cuisinière vers l'avant. Le support anti-basculement doit s'engager et empêcher la cuisinière de basculer.



▲ AVERTISSEMENT —

- **Toutes les cuisinières peuvent basculer**
- **Cela peut occasionner des blessures corporelles**
- **Installez le support anti-basculant livré avec votre cuisinière**
- **Consultez les instructions d'installation**

Si vous tirez la cuisinière pour l'écarter du mur pour quelque raison que ce soit, assurez-vous que le support anti-basculement s'engage quand vous repoussez la cuisinière contre le mur.

Instructions d'installation

LISTE DE VÉRIFICATION AVANT L'INSTALLATION

1 INSPECTEZ L'EMPLACEMENT OÙ VOUS ALLEZ INSTALLER

Consultez la section d'autre construction pour les installations suivantes qui ne sont pas normales.

A L'ouverture du comptoir se poursuit jusqu'au mur :

Entretoise arrière (fournie avec la cuisinière (consultez les installations d'instruction à la page 15) ou Dossieret (trousse JXS36XX ou JXS39SS).

B La hauteur du comptoir est plus grande que 93,4 cm (36-3/4") :

Garniture du bas à glisser (trousse JXS56XX).

C Un côté n'est pas enfermé dans une armoire :

Côté d'appareil (trousse JXS76XX).

D Installation dans un îlot :

Pour obtenir une bonne installation, la surface du haut du comptoir doit être horizontale et plate (au même niveau) des trois côtés qui sont adjacents à la table de cuisson de la cuisinière. Vous devez bien ajuster la surface du haut afin de bien l'aplatir, autrement il se produira des écarts entre le comptoir et la table de cuisson de votre cuisinière. En poussant la table de cuisson pour aller dans le comptoir, vous pouvez occasionner des écarts excessifs et vous pouvez casser la vitre et annuler la garantie.

Pour obtenir les trouses :

- Visitez le site Web GE (voir page 1)
- Appelez le centre de réponse GE (voir page 1)
- Appelez le vendeur

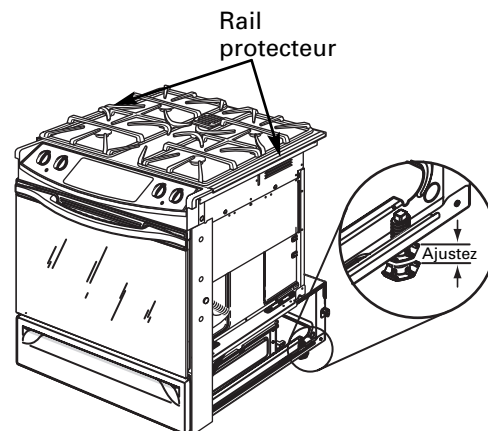
2 AMENEZ LA CUISINIÈRE À L'INTÉRIEUR EN FACE DE L'OUVERTURE DE L'ARMOIRE

N'utilisez pas de chariot à main pour transporter la cuisinière sans emballage. La vitre de la table de cuisson peut se casser.

3 PROTÉGEZ LE PLANCHER DE LA CUISINE

Aplatissez et placez un morceau de carton d'emballage devant l'emplacement où vous allez installer votre cuisinière pour protéger le plancher.

NOTE : Attendez plus tard au cours de l'installation pour enlever les rails protecteurs des côtés de la table de cuisson en verre, le cas échéant.



4 FAITES BASCULER AVEC SOIN LA CUISINIÈRE POUR AVOIR ACCÈS AUX PIEDS D'INCLINAISON DE LA CUISINIÈRE

Utilisez une clé ajustable pour visser les pieds d'inclinaison afin de mettre à niveau le soutien de la vitre avec le haut du comptoir.

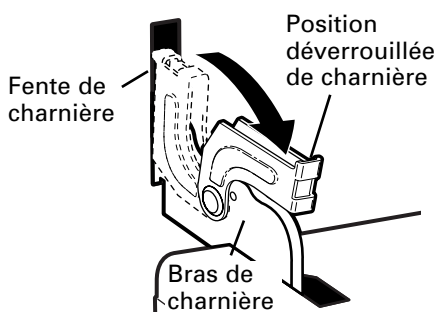
Instructions d'installation

5 ENLEVEZ LA PORTE SI C'EST NÉCESSAIRE

Il n'est pas indispensable d'enlever la porte pour installer votre cuisinière, mais cela peut vous faciliter la tâche. Pour enlever la porte :

A DÉVERROUILLEZ LES CHARNIÈRES

Poussez les deux verrous de charnières vers le bas, vers le châssis de la porte, en position déverrouillée. Cela peut nécessiter un tournevis à tête plate.



B METTEZ EN PLACE LA PORTE

Placez vos mains des deux côtés de la porte et fermez la porte de la cuisinière en position d'enlèvement. C'est à mi-chemin entre l'arrêt de grillade et la fermeture totale.



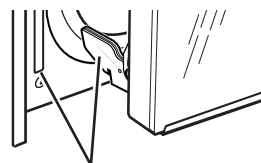
5 ENLEVEZ LA PORTE SI C'EST NÉCESSAIRE (suite)

C ENLEVEZ LA PORTE EN LA SOULEVANT

Enlevez la porte en la soulevant et en la faisant sortir jusqu'à ce que les bras de charnière sortent des fentes.

NE SOULEVEZ JAMAIS LA PORTE À UN ANGLE.

NOTE : La porte de la cuisinière est très lourde. Assurez-vous de bien saisir avant de la soulever pour l'enlever de ses charnières. Faites bien attention une fois que vous avez enlevé la porte. Ne posez jamais la porte sur sa poignée. Cela peut occasionner des rayures ou des bosses.



La charnière sort de sa fente

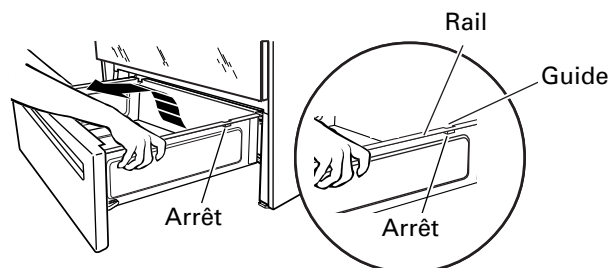
6 ENLEVEZ LES MATÉRIAUX D'EMBALLAGE

Enlevez les étiquettes de la porte, la matière plastique de la garniture et du panneau et tout le ruban collé autour de la cuisinière.

7 ENLEVEZ LE TIROIR DE RANGEMENT

A Tirez le tiroir vers l'extérieur jusqu'à ce qu'il s'arrête.

B Soulevez l'avant du tiroir jusqu'à ce que les arrêts sortent des guides.



C Tirez vers l'avant et enlevez le tiroir.

Instructions d'installation

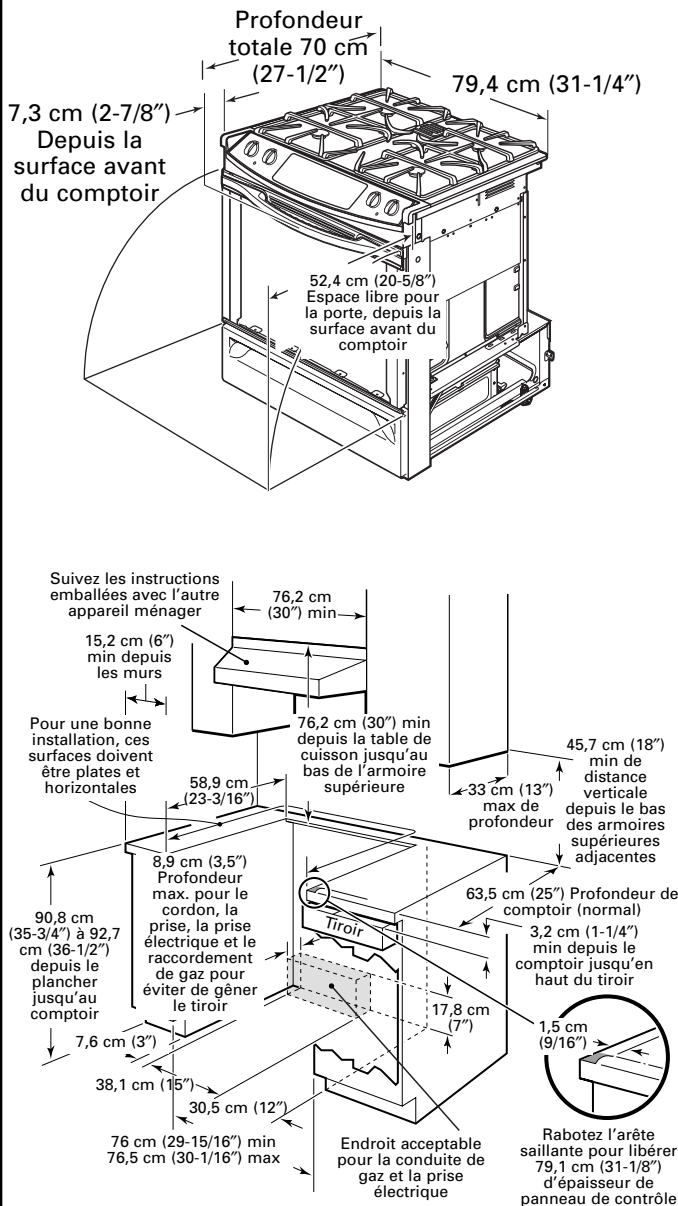
LISTE DE VÉRIFICATION AVANT L'INSTALLATION (SUITE)

8 DÉCOUPE AVANT L'INSTALLATION ET DÉGAGEMENT REQUIS

Si les armoires sont placées à moins de 76,2 cm (30") au-dessus de la cuisinière, consultez la section d'autre construction, étape 19E, à la page 16.

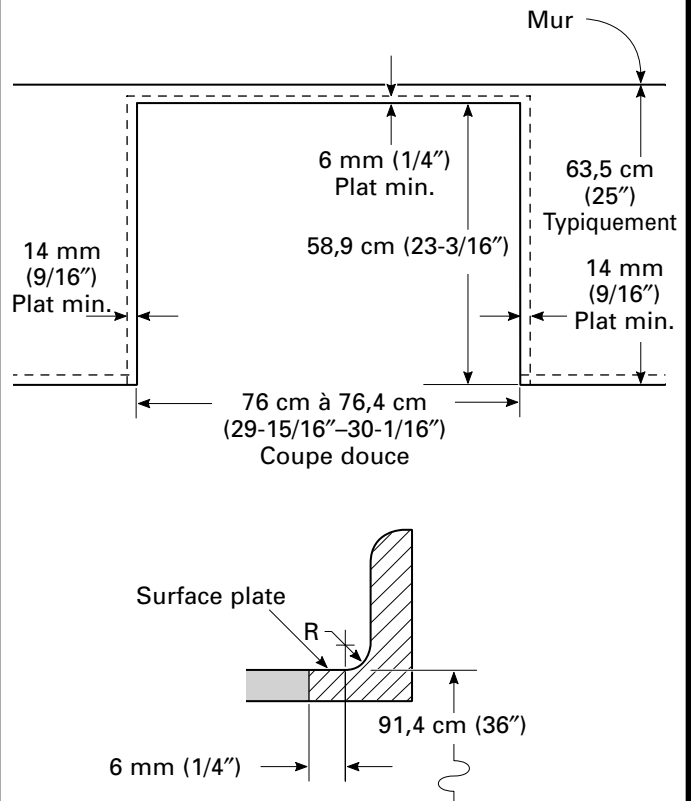
NOTE : Votre appareil remplir les exigences UL de 0" de dégagement aux murs arrière et de côté.

Les revêtements de mur, les comptoirs et les armoires autour de la cuisinière doivent supporter la chaleur (pouvant atteindre 194°F) produite par la cuisinière.



9 INSTALLATION NORMALE

Si la construction ou votre armoire ne peut fournir une surface plate de 6 mm (1/4") à l'arrière de l'ouverture du comptoir, envisagez changer le comptoir pour obtenir cette dimension. Consultez la section d'autre construction. Si la surface n'est pas plate, vous risquez de mettre trop de pression sur la table de cuisson en verre, et la casser en annulant la garantie.



BRANCHEMENT ÉLECTRIQUE

10 INSTALLATION— BRANCHEMENT ÉLECTRIQUE

A À cause des risques de sécurité dans certaines conditions, nous vous recommandons fortement de ne pas utiliser de rallonge. Cependant, si vous décidez tout de même d'utiliser une rallonge, il est absolument nécessaire que cette rallonge soit une rallonge pour appareil électroménager à trois fils et mise à la terre, dont l'ampérage soit égal ou supérieur à celui du circuit de dérivation. Vous trouverez cette rallonge chez votre revendeur local d'appareils électroménagers.

IMPORTANT : (Veuillez lire attentivement) POUR VOTRE SÉCURITÉ PERSONNELLE, VOUS DEVEZ BIEN METTRE À LA TERRE CET APPAREIL

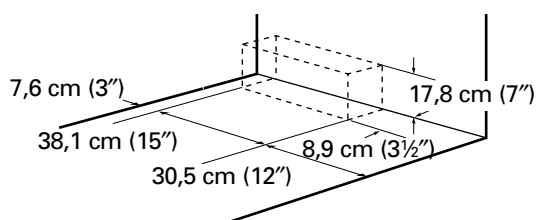
B Vous devez utiliser une bonne alimentation électrique et une bonne prise pour faire fonctionner les pièces électriques de votre appareil.

- Le cordon d'alimentation de votre appareil est équipé d'une fiche à trois broches (mise à la terre) que vous devez brancher dans une prise à trois trous bien mise à la terre, qui alimente en courant électrique ménager normal alternatif de 120 Volts, 60 cycles.
- Si vous avez une prise normale à deux broches, le consommateur est personnellement responsable et obligé de la faire remplacer par une prise murale triphasée mise à la terre par un électricien qualifié.

Ne coupez ou n'enlevez en aucun cas la broche de mise à la terre du cordon de la cuisinière. Vous créez une situation dangereuse en ne mettant pas bien à la terre votre appareil.

BRANCHEMENT DU GAZ

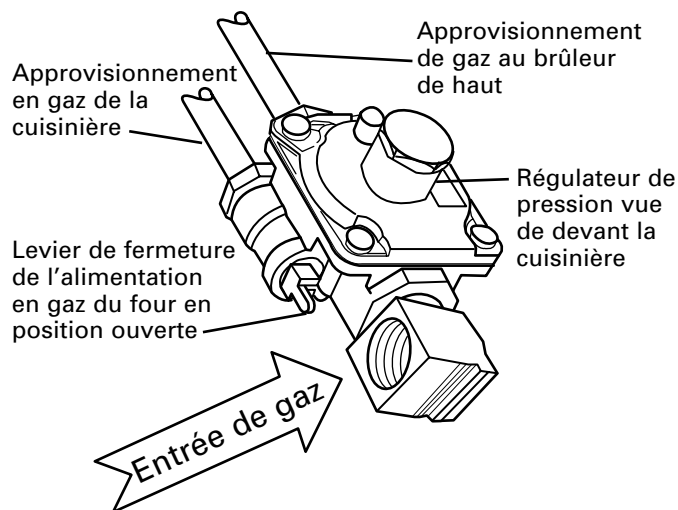
11 BRANCHEMENT



- A** Installez le robinet d'arrêt manuel dans la conduite d'alimentation de gaz dans un emplacement facile d'accès.
- B** Trouvez comment couper l'alimentation de gaz à la cuisinière, et où se trouve le robinet d'alimentation.
- C** Coupez l'alimentation de gaz avant d'enlever une vieille cuisinière. Laissez-la coupée jusqu'à la fin du branchement de la nouvelle cuisinière.
- D** Comme les conduites rigides limitent le déplacement de la cuisinière, nous vous recommandons l'utilisation d'un raccord flexible en métal certifié par l'ACNOR.

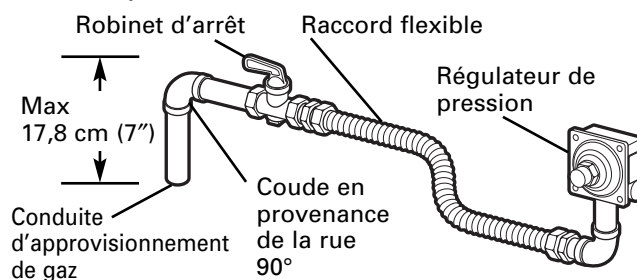
⚠ AVERTISSEMENT: N'utilisez jamais un vieux raccord flexible. L'utilisation d'un vieux raccord flexible peut occasionner des fuites de gaz et des blessures corporelles. Utilisez toujours un raccord flexible neuf pour installer un appareil ménager à gaz.

- E** Avant de brancher le gaz, assurez-vous que le levier de fermeture de l'alimentation en gaz du four (visible à l'arrière de la cuisinière) soit en position ouverte.



11 BRANCHEMENT (suite)

- F** Installez l'adaptateur évasé de 13 mm (1/2") au coude NPT de 13 mm (1/2") sur le régulateur de pression.
- G** Branchez le raccord flexible d'appareil ménager à l'adaptateur.
- H** Mettez la cuisinière dans son emplacement approximatif et branchez le raccord flexible à la conduite d'approvisionnement de gaz avec le bon adaptateur évasé.



- I** Pour empêcher les fuites de gaz, mettez un agent d'étanchéité pour joint de tuyau ou un ruban Teflon® sur tous les filetages mâles. **NOTE :** Assurez-vous que l'agent d'étanchéité ou le ruban soient compatibles avec le gaz naturel et le gaz de pétrole liquéfié.
- J** Quand vous avez terminé de faire les branchements, assurez-vous que tous les boutons de la cuisinière soient en position OFF (arrêt) avant d'ouvrir le robinet d'approvisionnement de gaz principal.

⚠ AVERTISSEMENT: N'utilisez jamais une flamme pour vérifier s'il y a une fuite de gaz. Utilisez un détecteur de fuite liquide au niveau de tous les joints et les raccords pour vérifier les fuites dans le système.

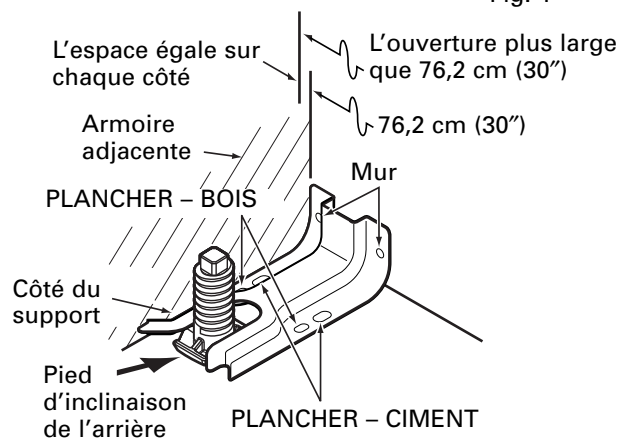
INSTALLATION DE LA CUISINIÈRE

12 INSTALLEZ LE SUPPORT ANTI-BASCULEMENT

A TROUVEZ LE SUPPORT

- Décidez si vous devez installer le support du côté droit ou du côté gauche de l'ouverture pour la cuisinière.
- Placez le support comme l'indique la figure 1.

Fig. 1



12 INSTALLEZ LE SUPPORT ANTI-BASCULEMENT (suite)

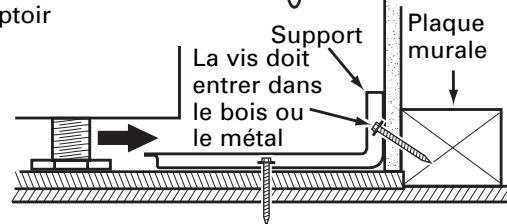
B INSTALLEZ LE SUPPORT DANS DU BOIS OU DANS DU CIMENT

INSTALLATION—CONSTRUCTIONS EN BOIS

- Trouvez le centre des 4 trous indiqués dans la figure 1 comme Plancher—bois et mur.
- Percez un trou pilote de 3 mm (1/8") dans les surfaces pré-marquées. Notez l'angle de la vis de mur dans la figure 2.
- Montez le support anti-basculement avec les 4 vis fournies.

Tranche avant du haut du comptoir

Fig. 2



INSTALLATIONS—CONSTRUCTIONS EN CIMENT

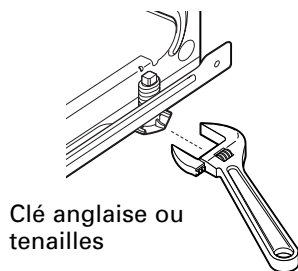
- Pour une installation dans le ciment, vous aurez besoin de deux vis tire-fonds de 6 mm x 3,8 cm (1/4" x 1-1/2") et deux manchons ancrages.
- Trouvez le centre des 4 trous indiqués dans la figure 1 comme Plancher—ciment et Mur. Percez les trous de taille recommandée dans chaque centre.
- Mettez les manchons ancrages dans les trous pré-perçés dans le ciment et mettez les vis tire-fonds et les vis à mur dans le support anti-basculement. Assurez-vous de bien serrer les vis.

Instructions d'installation

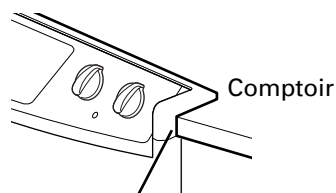
INSTALLATION DE LA CUISINIÈRE (SUITE)

13 FAITES GLISSER LA CUISINIÈRE DANS L'OUVERTURE

- A** Placez la cuisinière en face de l'ouverture de l'armoire.
- B** Assurez-vous que le verre qui surplombe le comptoir libère le comptoir. Si nécessaire, soulevez l'appareil en descendant les pieds d'inclinaison.
- C** Poussez tout en soulevant la cuisinière dans l'ouverture, jusqu'à ce que la cuisinière se trouve à 5.1 cm (2") d'entrer dans le soutien anti-basculant.
- D** Enlevez la garniture protectrice du côté du verre (s'il y en a une).
- E** À l'aide de la clé anglaise ou des tenailles, vissez avec soin la vis du pied d'inclinaison de l'arrière jusqu'à ce que le surplomb de verre repose sur le comptoir.



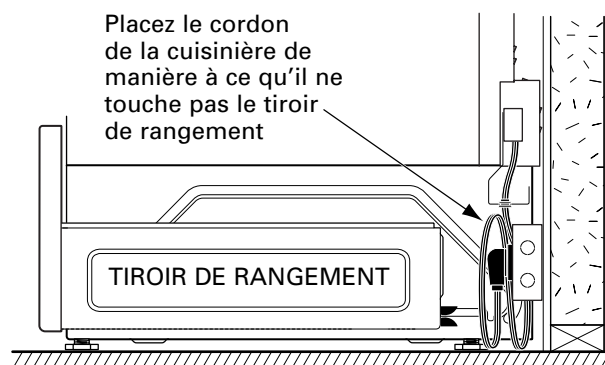
- F** Vissez avec soin les deux pieds d'inclinaison de devant (comme dans l'étape E) jusqu'à ce que le surplomb de verre touche le comptoir.
- G** Poussez avec soin la cuisinière dans l'ouverture jusqu'à ce que le comptoir entre dans le panneau de contrôle. Le surplomb de verre arrière doit couvrir l'ouverture.



Assurez-vous que l'arête du comptoir soit bien alignée au panneau de contrôle avant

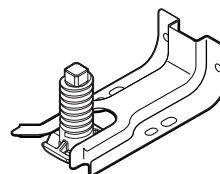
13 FAITES GLISSER LA CUISINIÈRE DANS L'OUVERTURE (suite)

- H** Branchez le cordon de la cuisinière dans le réceptacle. Placez le cordon à l'arrière de la cuisinière de manière à ce qu'il ne touche pas le tiroir ou ne change pas de place à cause du tiroir.



14 VÉRIFICATION FINALE DU SUPPORT ANTI-BASCULEMENT

Quand l'installation est terminée et la cuisinière est en place, vérifiez pour vous assurer que le pied d'inclinaison arrière est bien entré dans la fente du support anti-basculement.



Instructions d'installation

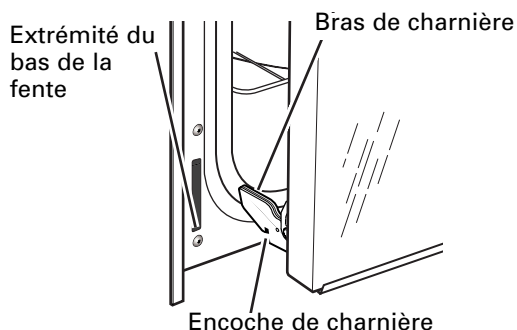
15 REMETTEZ EN PLACE LA PORTE DE LA CUISINIÈRE

NOTE : La porte de la cuisinière est lourde. Vous aurez peut-être besoin d'aide pour soulever la porte suffisamment haut pour la faire glisser dans les fentes de charnières. Ne soulevez jamais la porte par la poignée.

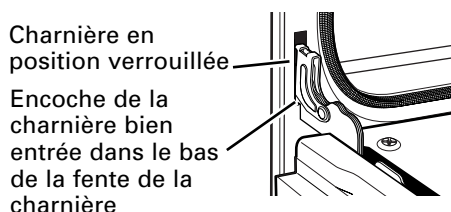
- A** Soulevez la porte de la cuisinière en plaçant une main de chaque côté. La porte est lourde, et vous aurez peut-être besoin d'aide. Ne soulevez jamais par la poignée.



- B** Avec la porte au même angle que dans la position d'enlèvement (à mi-chemin entre la position d'arrêt de grillade et la position fermée), mettez l'encoche du bras de charnière dans l'extrémité du bas de la fente de charnière. L'encoche du bras de charnière doit bien reposer dans le bas de la fente.



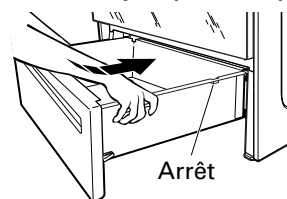
- C** Ouvrez la porte du four autant que vous le pouvez.
- D** Poussez les verrous de charnière vers le haut, contre le devant du châssis de la cavité de cuisinière, jusqu'en position verrouillée.



- E** Fermez la porte du four.

16 REMETTEZ EN PLACE LE TIROIR DE RANGEMENT

- A** Placez les rails du tiroir sur les guides.
- B** Poussez le tiroir à l'intérieur jusqu'à ce qu'il s'arrête.
- C** Soulevez l'avant du tiroir et poussez vers l'intérieur jusqu'à ce que les arrêts sortent des guides.
- D** Abaissez le devant du tiroir et poussez-le vers l'intérieur jusqu'à ce qu'il ferme.



INSTRUCTIONS SPÉCIALES SI VOUS AVEZ DES PROBLÈMES À REMETTRE EN PLACE LE TIROIR DE RANGEMENT

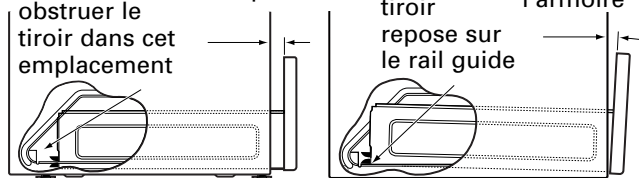
Si le tiroir ne ferme pas :

Le cordon d'alimentation électrique peut obstruer le tiroir dans cet emplacement

Le tiroir ne ferme pas complètement

Le soutien arrière du tiroir repose sur le rail guide

Le panneau avant du tiroir a basculé en s'écartant du côté de l'armoire

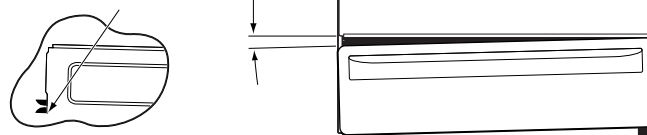


Enlevez et remettez en place, en vous assurant que le cordon d'alimentation ne gêne pas le tiroir et/ou que le rail est dans le guide.

Si le tiroir est tordu :

Le soutien arrière du tiroir est en haut du rail guide du côté élevé

Le panneau avant du tiroir a basculé d'un côté



Enlevez et remettez en place, en vous assurant que le rail est dans le guide.

Instructions d'installation

INSTALLATION DE LA CUISINIÈRE (SUITE)

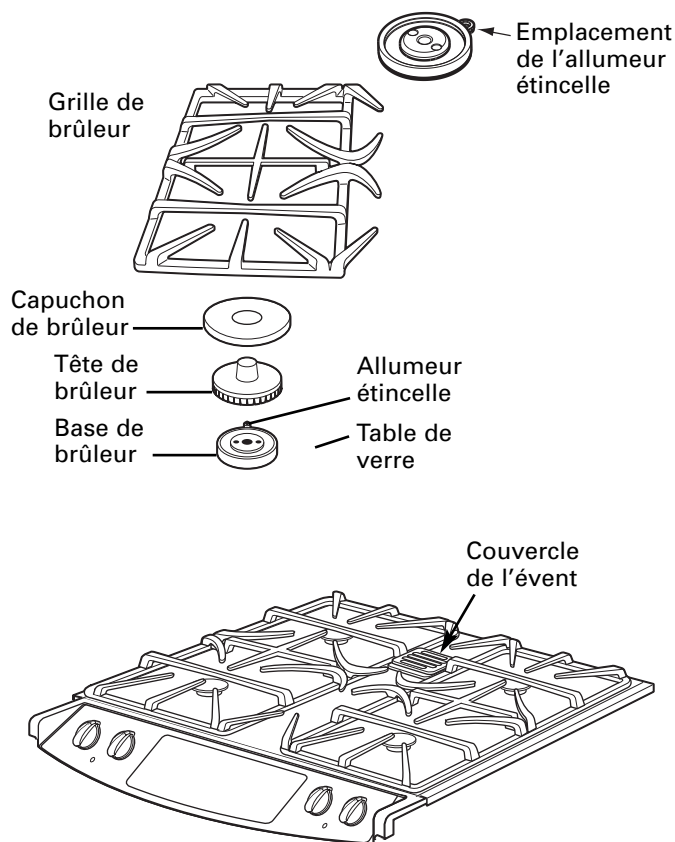
17 BRÛLEURS DE LA TABLE DE CUISSON

A ASSEMBLAGE DES BRÛLEURS

⚠ ATTENTION : L'électrode de l'allumeur étincelle est exposée. Faites attention de ne pas décrocher l'électrode de l'allumeur bougie avec un linge de nettoyage. Vous risquez d'endommager l'allumeur. Prenez soin de ne pas tourner un bouton de contrôle de la table de cuisson quand vous nettoyez. Cela pourra provoquer une petite secousse électrique, qui peut vous faire toucher la table de cuisson chaude.

POUR LES TABLES DE CUISSON EN VITROCÉRAMIQUE

- Placez la tête de brûleur sur la base de brûleur, de manière à ce que les tiges correspondent aux fentes de la base.
- Placez le capuchon du brûleur sur la tête de brûleur.
- Placez la grilles de brûleur sur l'ensemble de brûleur. Les grilles vont sur les surfaces élevées sur les têtes de brûleur.



B VÉRIFIEZ QU'IL N'Y A PAS DE FUITE

Allumez l'alimentation de gaz et utilisez un détecteur de fuite liquide (solution savonneuse) sur tous les joints et les connexions pour vérifier qu'il n'y a pas de fuite. **N'utilisez jamais une flamme vive pour chercher les fuites.** Assurez-vous d'arrêter toutes les fuites avant d'allumer les brûleurs.

C INFORMATION D'ESSAI DE PRESSION

La pression d'alimentation maximum permise pour le régulateur est 14" W.C. La pression d'alimentation minimum nécessaire pour vérifier le régulateur 7" W.C. pour le gaz naturel et 10" W.C. pour le gaz de pétrole liquéfié.

⚠ AVERTISSEMENT : Vous devez débrancher la cuisinière et son robinet d'arrêt du système de conduite d'alimentation de gaz pendant tout essai de pression du système d'alimentation de gaz de plus de 1/2 psig (livre par pouce au carré). Vous devez isoler la cuisinière du système de conduite d'alimentation de gaz en fermant son robinet d'arrêt pendant tout essai de pression du système d'alimentation de gaz à des pressions d'essai égales ou supérieures à 1/2 psig. NOTE : 1/2 psig = 13.855" w.c.

Instructions d'installation

D VÉRIFIEZ LES ALLUMEURS

Vous devez vérifier le fonctionnement des allumeurs électriques après avoir vérifié soigneusement l'absence de fuite et après avoir branché la table de cuisson à l'alimentation électrique.

- Ouvrez l'alimentation de gaz.
- Poussez et tournez le robinet en position LITE (allumer).
 - Le robinet du brûleur doit s'allumer quand il y a du gaz dans le brûleur.
 - Une fois que le brûleur s'allume, il faut l'enlever de la position LITE (allumer).
- Essayez chaque robinet séparément jusqu'à avoir vérifié tous les brûleurs.

E ALLUMAGE DES BRÛLEURS

Ignition par étincelle de la table de cuisson— Quand vous mettez le bouton de la table de cuisson en position LITE (allumer), l'allumeur à étincelle fait une série d'étincelles électriques (sons de crépitement) qui allument le brûleur. Pendant une panne de courant, les brûleurs n'allumeront pas automatiquement. En cas d'urgence, vous pouvez allumer un brûleur de la table de cuisson à l'aide d'une allumette en suivant les étapes suivantes :

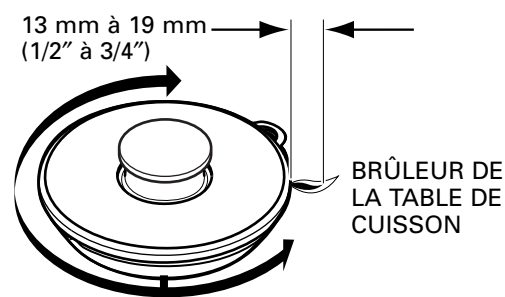
⚠ AVERTISSEMENT : Il est dangereux d'allumer les brûleurs à gaz avec une allumette. Vous ne devez allumer un brûleur avec une allumette qu'en cas d'urgence.

- Allumez une allumette et tenez la flamme près du brûleur que vous voulez allumer. Les allumettes en bois fonctionnent le mieux.
- Poussez vers l'intérieur et tournez lentement le bouton de contrôle. Assurez-vous de tourner le bon bouton pour le brûleur que vous allumez.

NOTE : Si le brûleur ne s'allume pas en cinq secondes, tournez le bouton en position OFF (arrêt) et attendez cinq minutes avant de recommencer.

F FLAMMES DU BRÛLEUR

Tournez chaque brûleur en position ON (marche). Tournez chaque bouton de brûleur en position élevée. Les flammes doivent être bleues, sans traces ou avec peu de traces de jaune. Les flammes du brûleur ne doivent pas scintiller ou s'écarter du brûleur. Le cône intérieur de la flamme doit avoir entre de 13 mm à 19 mm (1/2" à 3/4") de long. Si les flammes du brûleur sont de couleur jaune et ne sont pas de bonne longueur, appelez le service GE.



Les flammes doivent encercler le brûleur.

Vous devez vérifier fréquemment les brûleurs.

⚠ AVERTISSEMENT : Si vous essayez de mesurer le cône intérieur de la flamme, faites bien attention. Vous pouvez vous brûler.

Instructions d'installation

INSTALLATION DE LA CUISINIÈRE (SUITE)

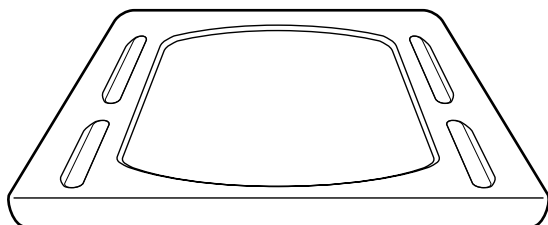
18 BRÛLEURS DE CUISSON ET DE GRILLADE

Si les brûleurs de cuisson et/ou de grillade ont des flammes «paresseuses» (flottantes) ou des montées de flammes ou si leurs flammes sont jaunes, faites les opérations suivantes :

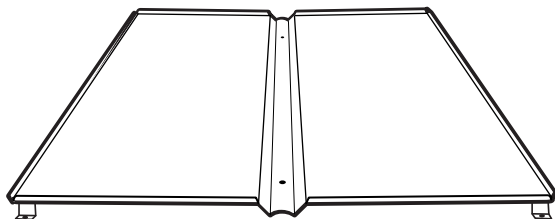
A VÉRIFICATION DES BRÛLEURS DU FOUR

Pour vérifier les flammes du brûleur de cuisson avec la porte du four fermée :

1. Ouvrez la porte et enlevez-la.
2. Enlevez les clayettes de four.
3. Enlevez le plancher de four.
Soulevez l'arrière du plancher du four et tirez vers l'avant.



4. Enlevez les quatre vis qui tiennent l'écran du brûleur (qui étale la flamme) au boîtier du brûleur.



5. Installez la porte du four et fermez-la.
6. Allumez le brûleur de cuisson.

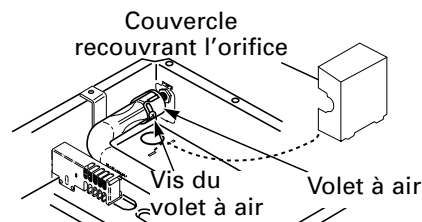
Regardez les flammes, et vérifiez ce qui suit :

- Les flammes du brûleur ne doivent pas vaciller ou trop s'écarter du brûleur.
- Elles doivent être bleues sans trace de jaune.

Vous devez pouvoir les flammes du brûleur de grillade sans enlever les clayettes, le plancher du four ou les écrans à cuisson.

B AJUSTEZ LE VOLET À AIR BRÛLEUR ARRIÈRE

1. Enlevez le couvercle recouvrant l'orifice.
2. Utilisez un tournevis pour desserrer la vis du volet à air.
3. Ajustez le volet à air à 11/32".
4. Revissez la vis du volet à air.



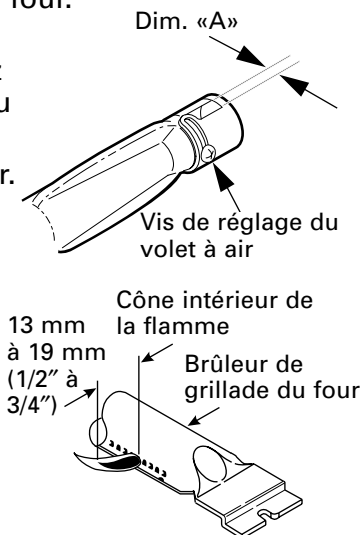
RÉGLAGES :

- a. Si les flammes sont jaunes, ouvrez le volant à air par rapport à sa position initiale.
- b. Si les flammes vacillent ou s'écartent trop du brûleur, fermez le volant à air par rapport à sa position initiale.

Vous devez vérifier les brûleurs fréquemment.

BRÛLEUR DE GRILLADE

1. Le brûleur de grillade est situé et accessible à l'avant arrière du four.
2. À l'aide d'un tournevis, dévissez la vis de réglage du volet à air.
3. Réglez le volet à air.
4. Revissez la vis du volet à air.
5. Vérifiez le cône intérieur de la flamme. Il doit avoir entre 1/2" et 3/4" de longueur pour les brûleurs de cuisson et de grillade.



APRÈS TOUS LES RÉGLAGES, QUAND LES RÉSULTATS SONT SATISFAISANTS

1. Remettez en place le couvercle recouvrant l'orifice.
2. Remettez en place l'écran de brûleur (qui étale la flamme) et les vis.
3. Remettez en place le plancher du four.
4. Remettez en place la porte du four.

Instructions d'installation

19 PRÉPARATION POUR UNE AUTRE CONSTRUCTION

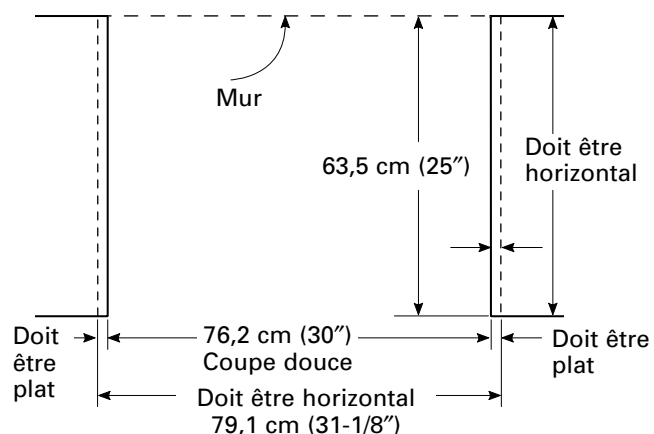
A TROUSSE DE REMPLISSAGE DU HAUT OU TROUSSE D'APPUI EN OPTION

Si l'ouverture s'étend jusqu'au mur, elle nécessitera la trousse de remplissage du haut (fournie avec la cuisinière) ou la trousse de dossier (JXS36XX ou JXS39SS) pour remplir la fente.

NOTE : Si le comptoir est plus grand que 63,5 cm (25"), il y aura une fente entre le dossier et le mur ou entre la trousse de remplissage et le mur.

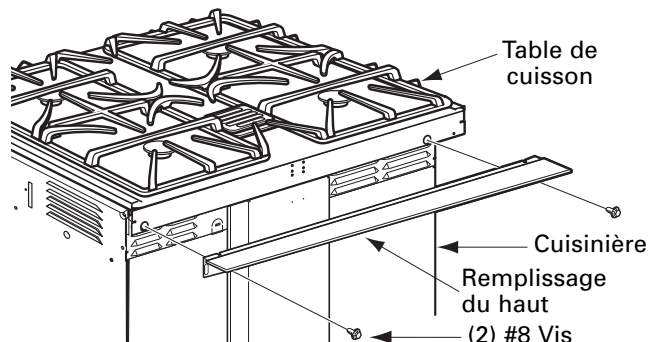
Si le comptoir est inférieur à 63,5 cm (25"), il y aura une fente entre le devant du comptoir et les extrémités du panneau de contrôle (voir l'étape 13G).

Si vous utilisez la trousse de dossier en option, consultez les instructions de la trousse de dossier pour obtenir les détails de l'installation.



Si vous utilisez la trousse de remplissage, placez la pièce de remplissage en métal fournie avec la cuisinière dans l'arrière de la cuisinière comme le montre la figure ci-dessus. Engagez les 2 vis dans les trous du haut à l'extérieur arrière de la cuisinière au-dessus des aérateurs à lames et par les fentes de la garniture, en tenant la pièce de remplissage centrée sur le châssis du haut et en poussant vers l'avant pour réduire l'écart entre le bas du verre et la garniture de remplissage.

Quand la garniture est posée dans la bonne position, serrez les 2 vis de montage. Le haut de la garniture doit se trouver au-dessous de la surface du haut du verre pour empêcher les casseroles, les poelles et les ustensiles de cuisine d'endommager les pièces peintes. Consultez l'installation normale de la cuisinière page 6.



B POUR UNE INSTALLATION NON ENCASTRÉE (EMPLACEMENT EN EXTRÉMITÉ DE L'ARMOIRE)

Quand vous installez la cuisinière à l'extrémité d'une section d'armoire qui expose le côté non fini de la cuisinière, utilisez la trousse de côté de cuisinière (JXS76XX). Consultez les instructions de la trousse pour les détails de l'installation.

C INSTALLATION EN ÎLOT

Fixez le support anti-basculement selon les instructions de l'étape 12, en vous assurant que l'arrière du support est à 63,5 cm (25") de l'avant du comptoir.

Soyez conscient que les vis fournies sont longues et peuvent transpercer les armoires de l'îlot. Dans ce cas, utilisez des vis plus courtes (pas fournies) ou les vis fournies pour être utilisées dans le plancher (consultez l'étape 12B pour l'installation sur un plancher en bois/ciment).

N'utilisez pas la trousse de dossier JXS36XX ou JXS39SS.

Instructions d'installation

INSTALLATION DE LA CUISINIÈRE (SUITE)

19 PRÉPARATIONS POUR UNE AUTRE CONSTRUCTION (suite)

D POUR LES OUVERTURES D'ARMOIRE D'ENVIRON 77,2 CM (30-3/8")

Si la cuisinière est installée dans une ouverture d'armoire d'environ 77,2 cm (30-3/8"), vous devez utiliser la trousse de garniture verticale de côté (JXS86XX) pour couvrir les fentes entre les côtés de la cuisinière et l'armoire. Consultez les instructions de la trousse pour les détails de l'installation.

E ARMOIRES SUR LA CUISINIÈRE À MOINS DE 76,2 CM (30")

Si vous ne pouvez pas assurer un espace libre de 76,2 cm (30") entre la surface de cuisson et un matériau combustible placé au-dessus ou des armoires de métal, protégez le bas des armoires situées au-dessus de la table de cuisson par au moins un carton isolant d'au moins 6 mm (1/4") couvert de toile épaisse au moins .3098 mm (0,0122").

20 LISTE DE VÉRIFICATION DE FONCTIONNEMENT

- Vérifiez deux fois pour vous assurer de bien avoir tout terminé, dans ce guide. Les étapes de re-vérification assureront une utilisation sécuritaire de la table de cuisson.
- Assurez-vous que tous les boutons de contrôle se trouvent en position OFF (arrêt).
- Assurez-vous que la circulation de la combustion et de l'air de ventilation de la table de cuisson ne soit pas gênée.
- La plaque minéralogique de votre cuisinière est située sous la porte du four au-dessus de l'aire de rangement. Elle vous indique les valeurs des brûleurs et la catégorie de carburant et la pression à laquelle la table de cuisson a été ajustée au départ de la fabrique.
- Quand vous commandez des pièces, indiquez toujours le numéro de série et le numéro de modèle pour assurer de bonnes pièces de rechange.
- **Étapes de double vérification : Vérifiez une deuxième fois pour vous assurer d'avoir bien suivi toutes les instructions de ce guide. Cette deuxième vérification assurera une utilisation de la cuisinière en toute sécurité.**

Veillez consulter les instructions de conversion au gaz de pétrole liquéfié fournies avec cette cuisinière quand vous utilisez du gaz de pétrole liquéfié.

NOTE : Les instructions sont fixées au support de régulateur.

DANS CERTAINS CAS

- A** Avec du gaz de pétrole liquéfié, il est normal d'avoir un peu de couleur jaune sur le cône extérieur.
- B** Des particules étrangères dans le conduit de gaz peuvent occasionner une flamme orange au début, mais cette couleur doit vite disparaître.

NOTE SPÉCIALE :

Pour reconvertir le four au gaz naturel, renversez les instructions données pour faire les ajustements au gaz de pétrole liquéfié.



Quand la conversion est terminée et vérifiée, remplissez l'étiquette de gaz de pétrole liquéfié et inscrivez votre nom, votre organisation et la date à laquelle vous avez fait la conversion. Posez l'étiquette près du régulateur pour avertir les autres dans l'avenir que cet appareil a été converti au gaz de pétrole liquéfié. Si vous convertissez à nouveau cet appareil du gaz de pétrole liquéfié au gaz naturel, veuillez enlever l'étiquette de manière à avertir les autres que cet appareil est réglé pour utiliser du gaz naturel.

AJUSTEMENT DES BRÛLEURS DE LA TABLE DE CUISSON AUX FLAMMES FAIBLES

Vous devez ajuster les flammes faibles avec deux autres brûleurs en fonctionnement à réglage moyen. Cette procédure empêche la flamme faible d'être réglée trop basse, et de risquer de s'éteindre quand les autres brûleurs sont mis en marche.

- A** Enlevez les boutons de contrôle du robinet.
- B** Par l'ouverture, trouvez la vis de dérivation du robinet situé en bas et à droite des robinets.
- C** À l'aide d'un petit tournevis, vissez complètement la vis de dérivation dans le sens des aiguilles d'une montre.

