

# 15" Marvel Clear™ Ice Machine

Model # 30iM\*\*\*\*

- Produces up to 34 lbs of clear ice in 24 hours and stores up to 30 lbs
- Ice cutter ensures consistent cube size and shape
- Sound-buffering ice deflector greatly reduces cube impact noise
- High efficiency, low maintenance condenser design for built-in zero clearance installations
- Equipped with cleaning mode
- Ice scoop included
- Available with or without factory-installed drain pump
- Close Door Assist System™ gently and automatically closes door
- Height adjustment up to 1" with leveling legs
- Filler kit available for 18" wide opening
- 4" black adjustable toe kick
- 1-year warranty



## Storage Capacity

Up to 30 lbs of clear ice

## Product Dimensions

14 $\frac{7}{8}$ " W x 33 $\frac{3}{4}$ " minimum H x 25  $\frac{5}{8}$ " D (including handle)

## Accessories

16-oz Ice Machine Sanitizer (see page 58)

4-oz Ice Machine Cleaner (see page 58)

## Finish/Door Options



Stainless Steel



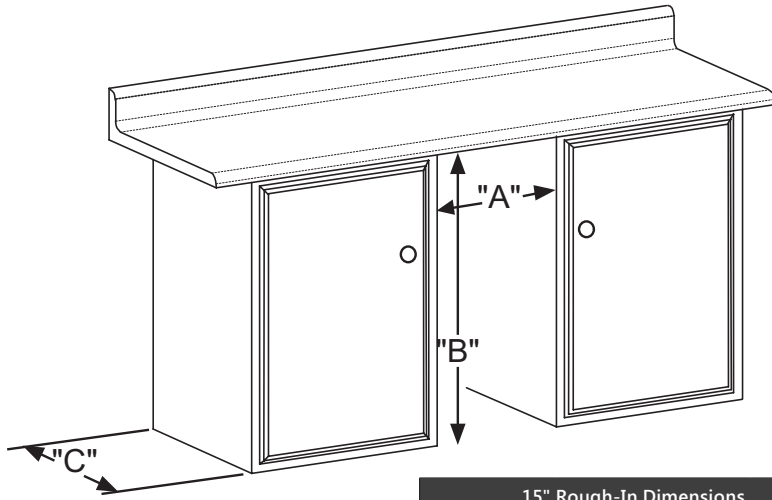
White



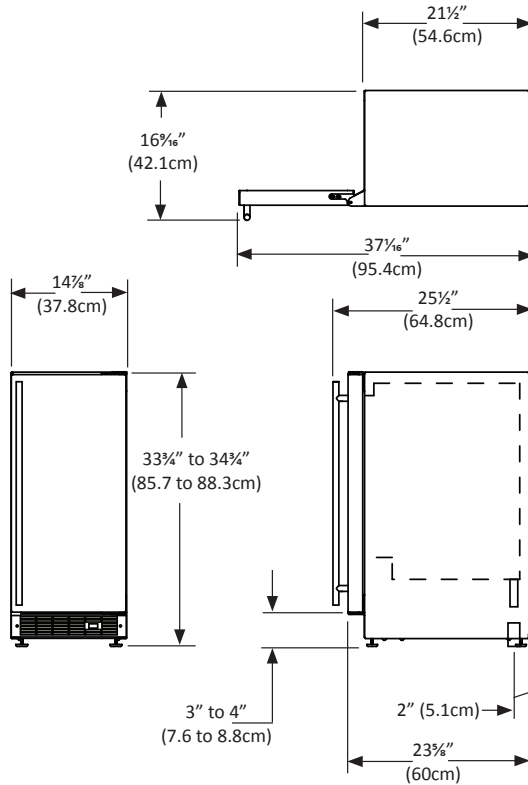
Black



Wood Overlay  
(Panel Ready)



15" Rough-In Dimensions		
"A"	"B"	"C"
15" (38.1 cm)	**34" to 35" (86.4 to 88.9 cm)	24" (61 cm)



## Ordering Details

### NO FACTORY-INSTALLED DRAIN PUMP

Solid Stainless Door, Right Hinge	30iMT-BS-F-R
Solid Stainless Door, Left Hinge	30iMT-BS-F-L
Solid Black Door, Right Hinge	30iMT-BB-F-R
Solid Black Door, Left Hinge	30iMT-BB-F-L
Solid White Door, Right Hinge	30iMT-WW-F-R
Solid White Door, Left Hinge	30iMT-WW-F-L
Solid Panel Overlay Ready Door, Stainless Handle, Integrated Right Hinge	30iMT-BB-O-R
Solid Panel Overlay Ready Door, Stainless Handle, Integrated Left Hinge	30iMT-BB-O-L

### WITH FACTORY-INSTALLED DRAIN PUMP

Solid Stainless Door, Right Hinge	30iMT-BS-F-R-P
Solid Stainless Door, Left Hinge	30iMT-BS-F-L-P
Solid Black Door, Right Hinge	30iMT-BB-F-R-P
Solid Black Door, Left Hinge	30iMT-BB-F-L-P
Solid White Door, Right Hinge	30iMT-WW-F-R-P
Solid White Door, Left Hinge	30iMT-WW-F-L-P
Solid Panel Overlay Ready Door, Stainless Handle, Integrated Right Hinge	30iMT-BB-O-R-P
Solid Panel Overlay Ready Door, Stainless Handle, Integrated Left Hinge	30iMT-BB-O-L-P

No panel installation kit required.

<b>Width</b>	14 1/4"
<b>Interior Finish</b>	White
<b>Capacity</b>	Up to 30lbs of clear ice
<b>Shelving System</b>	NA
<b>Shelf Fronts</b>	NA
<b>Other Storage</b>	NA
<b>Interior Lighting</b>	NA
<b>Toe Grill Finish</b>	Stainless Steel
<b>Hinge</b>	Classic Hinge
<b>Handle</b>	Designer

<b>Control Type</b>	NA
<b>Temperature Range</b>	NA
<b>Lock</b>	NA
<b>Electrical Requirements</b>	120V / 60Hz / 15A
<b>Length of Power Cord</b>	5'
<b>Product Dimensions</b>	14 1/4" W x 33 3/4" H x 21 1/2" D
<b>Depth to Front of Door</b>	23 3/4"
<b>Depth to Handle</b>	25 1/2"
<b>Depth with door at 90°</b>	37 1/16"
<b>Shipping Weight</b>	160 lbs

<b>Finishes</b>	SS, B, W, O
<b>Vacation / Sabbath Mode</b>	NA
<b>Agency Approvals</b>	CSA
<b>ENERGY STAR Certified</b>	NA

### Finishes Key

SS = Stainless Steel  
 B = Black  
 W = White  
 O = Overlay

# Overlay Panels

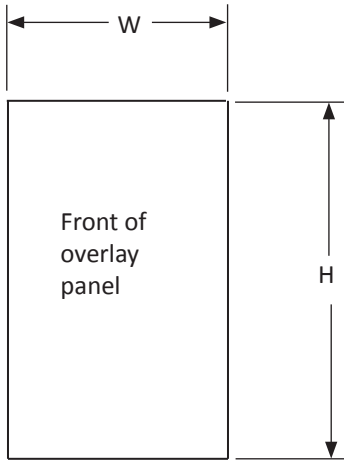


Figure 11

Model	W	H
30iMT	14 $\frac{5}{8}$ " (37.1cm)	30 $\frac{5}{16}$ " (77.0cm)

Table A

Set the overlay panel on the door front, align the edges, and clamp together. Clamp the panel firmly but be careful not to damage the door or the panel. Mark center of hinge adapter hole on wood panel, top and bottom. (See Figure 12.) Remove wood panel from door and drill  $\frac{5}{16}$ " (8mm) diameter clearance holes into the overlay panels  $\frac{3}{4}$ " (20mm) deep. These will be clearance holes for the top and bottom hinge pins.

This is also a convenient time to locate and drill the holes for your handle. Most often the handle is to match that of the surrounding cabinetry. If your handle attaches from the back-side of the custom panel, locate the mounting holes while the panel is attached to the door and cabinet. After the panel is removed from the door, drill the mounting holes from the front, to the recommended diameter of the handle manufacturer. Counter bore the back-side of the panel so the screw heads do not interfere with the surface of the door.

Re-clamp the panel to the door per step 5 and drill the screw pilot holes for attaching the overlay panel to the door. Select the size of the hole from Table B. Be careful not to drill the pilot holes through the overlay panel, ( $\frac{1}{2}$ " (12.7mm) deep for  $\frac{3}{4}$ " (19mm) and  $\frac{5}{8}$ " (15.7mm) panels ).

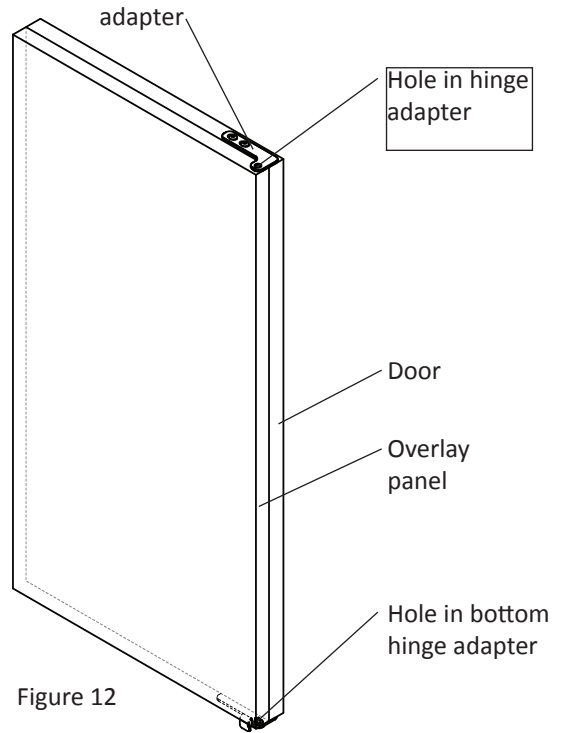


Figure 12

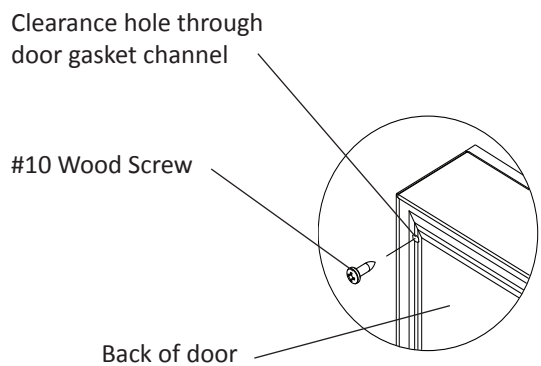


Figure 13

Material Type	#8 Wood Screw
Hardwood	$\frac{1}{8}$ " (3.2mm) Diameter. Pilot Hole
Softwood	$\frac{7}{64}$ " (2.8mm) Diameter. Pilot Hole

Table B