

Stainless

Overlay

3036RR

3000 SERIES

FEATURES

PERFORMANCE

- U-Select™ Control: Integrated OLED display with intuitive user interface ergonomically located on top of door
- Digitally controlled convection cooling system
- Refrigeration capacity of 6.8 cubic feet
- ENERGY STAR® and CEE Tier 3 rated
- 10 possible zone setting configurations provide outstanding flexibility of types of storage in a single refrigerator
- U-Select™ Control provides 4 distinct settings designed to provide precise refrigeration and maximize preservation
- Default temperature settings of Deli Mode: 36° F, Market Mode: 38° F, Pantry Mode: 42° F, Root Cellar Mode: 50° F
- Zone settings are designed to help produce last longer and taste better

INTERIOR / EXTERIOR

- Six full-extension, slide-out drawer bins provide quick, easy access and viewing of all items stored
- Lower drawer bins fit one-gallon containers and two-liter bottles with additional space for more storage
- All drawer bins are removable for easy cleaning and are designed to maximize various types of storage
- Black interior with LED theater lighting located on side interior provides excellent lighting to all bins

INTEGRATION

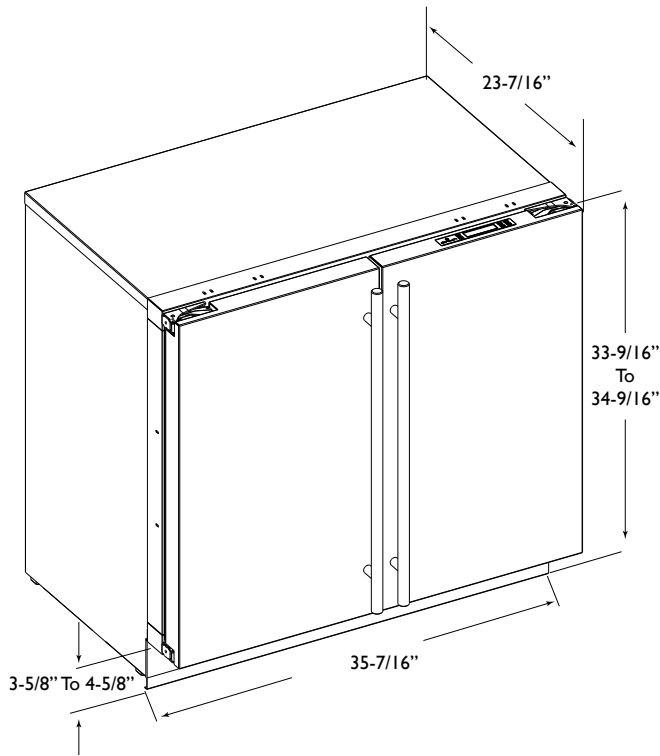
- Standard commercial stainless steel handle is interchangeable with professional handle option
- Adjustable toe-kick - front to back and up and down allows for seamless installation
- Front adjustable rear leveling legs greatly eases installation
- Allow a 2-1/2" clearance on hinged side for 90° door opening when installed adjacent to a wall (for stainless steel model)
- Allow 1/4" width overall for proper installation (see backside for details)
- No additional clearance around sides, top or rear of unit is needed for ventilation



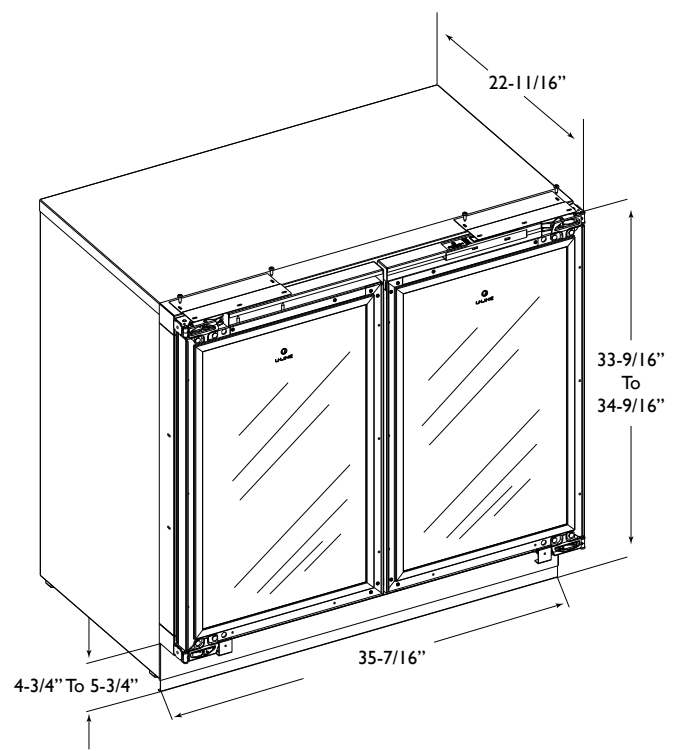
Market mode has a temperature range between 34° and 40° F with a set point at 38° F.



Dual Zone System featured in 3036RR



3036RRS Stainless Model



3036RROL Overlay Model

DIMENSIONS AND SPECIFICATIONS

OVERALL DIMENSIONS

Height	33-9/16" (85.2)
Width	35-7/16" (90)
Depth	23-7/16" (60)
With stainless steel handle	25-5/16" (64.3)

Shipping weight:

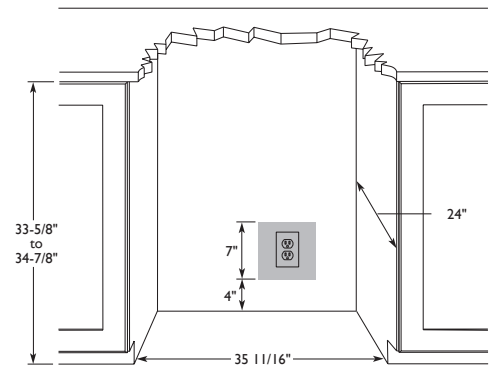
Stainless model	207 lbs (93.9 kg)
Overlay model	202 lbs (91.6 kg)

Running amps	2.4
Amps pertain to voltage rating	110/115 Volt, 60 Hz

Capacities:

Refrigerator volume	6.8 Cu Ft
---------------------	-----------

3036RR	
Stainless	U-3036RRS-00
Overlay	U-3036RROL-00



Please visit www.u-line.com for installation guide.

All specifications are subject to change without notice.

