



Stainless

Overlay

3024RGL

3000 SERIES

FEATURES

PERFORMANCE

- U-Select™ Control: Integrated OLED display with intuitive user interface ergonomically located on top of door
- Digitally controlled single-zone convection cooling system
- Refrigeration capacity of 4.9 cubic feet
- Capacities: 84 12-oz bottles or 168 12-oz cans
- Default temperature settings of Deli Mode: 36° F, Market Mode: 38° F, Pantry Mode: 42° F, Root Cellar Mode: 50° F, Beverage Mode: 38°
- Sabbath / Blackout mode turns off all lighting, controls display until unit is easily reset by touching the On/Off button
- UL residential listing

INTERIOR / EXTERIOR

- Three fully adjustable tempered glass shelves with 11 positions optimize storage space for a wide variety of options
- Black interior with LED theater lighting optimizes elegant and easy viewing of contents
- LowE coated, argon gas filled thermopane glass door provides protection from harmful UV rays and added insulating energy efficiency
- Robust, concealed and covered hinges with built-in door stop and closer
- Convenient crisper drawer comes in handy to store smaller items and keep them fresh
- Durable Delrin feet on leveling legs glide easily on floor and reduce potential scratching

INTEGRATION

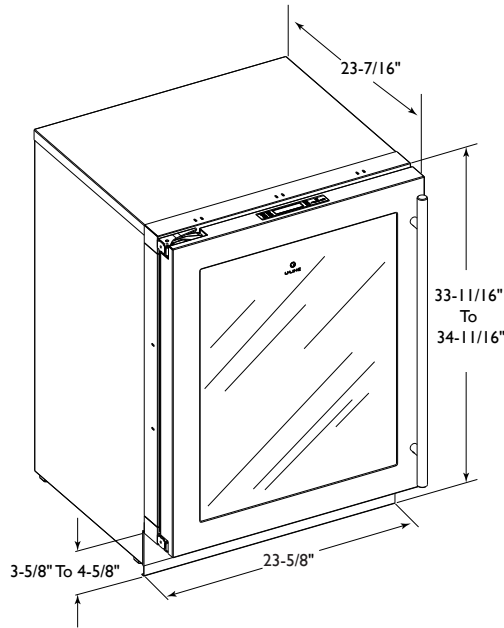
- Standard commercial stainless steel handle is interchangeable with professional handle option
- Adjustable toe-kick - front to back and up and down allows for seamless installation
- Front adjustable rear leveling legs greatly eases installation
- Allow a 2-1/2" clearance on hinged side for 90° door opening when installed adjacent to a wall (for stainless steel model)
- Allow 1/4" width overall for proper installation (see backside for details)
- No additional clearance around sides, top or rear of unit is needed for ventilation



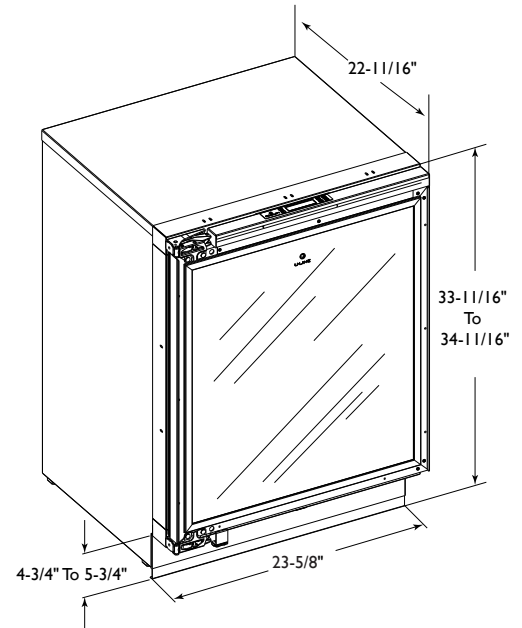
Adjustment and configuration of shelves allows for storing items of various sizes



Single Zone Convection Cooling System featured in 3024RGL



3024RGLS Stainless Model



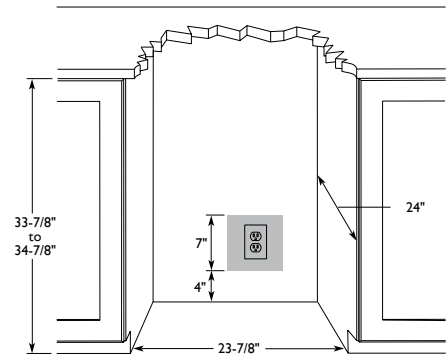
3024RGLOL Overlay Model

DIMENSIONS AND SPECIFICATIONS

OVERALL DIMENSIONS

Height	33-9/16" (85.2)
Width	23-5/8" (60)
Depth	23-7/16" (59.5)
With stainless steel handle	25-5/16" (64.3)
Shipping weight:	
Stainless model	155 lbs (70 kg)
Overlay model	150 lbs (68 kg)
Running amps	
Amps pertain to voltage rating	2.4 110/115 Volt, 60 Hz
Capacities:	
Refrigerator volume	4.9 Cu Ft

3024RGL	
Stainless Right-hand	U-3024RGLS-00
Stainless Left-hand	U-3024RGLS-01
Overlay Right-hand	U-3024RGLOL-00
Overlay Left-hand	U-3024RGLOL-01



Please visit www.u-line.com for installation guide.
All specifications are subject to change without notice.

