



Stainless

Overlay

3018CLR

3000 SERIES

FEATURES

PERFORMANCE

- U-Select™ Control: Integrated OLED display with intuitive user interface ergonomically located on top of door
- Daily ice rate of up to 60 lbs and storage of up to 30 lbs of restaurant quality clear ice (7/8" W x 7/8" H x 7/8" L)
- Drain required, factory installed drain line kit ensures and simplifies proper installation
- Easiest clear ice machine to clean and the clean indicator alert lets you know when it's time to clean the unit; the 45 minute cleaning cycle ensures high quality ice production and helps maintain proper operation
- Silent mode temporarily suspends ice making for three hours
- Sabbath / Blackout mode turns off all lighting, controls display until unit is easily reset by touching the On/Off button
- No defrosting required
- UL residential listing

INTERIOR / EXTERIOR

- May be ordered with or without factory installed P60 drain pump
- Black interior with LED theater lighting optimizes elegant and easy viewing of quality clear ice cubes
- Heavy duty ice scoop is included and placement is easily accessible
- Standard commercial stainless steel handle is interchangeable with professional handle option for stainless steel model
- Robust, concealed and covered hinges with built-in door stop and closer
- Durable Delrin feet on leveling legs glide easily on floor and reduce potential scratching

INTEGRATION

- Standard commercial stainless steel handle is interchangeable with professional handle option
- Adjustable toe-kick - front to back and up and down allows for seamless installation
- Front adjustable rear leveling legs greatly eases installation
- Allow a 2-1/2" clearance on hinged side for 90° door opening when installed adjacent to a wall (for stainless steel model)
- Allow 1/4" width overall for proper installation (see backside for details)
- No additional clearance around sides, top or rear of unit is needed for ventilation



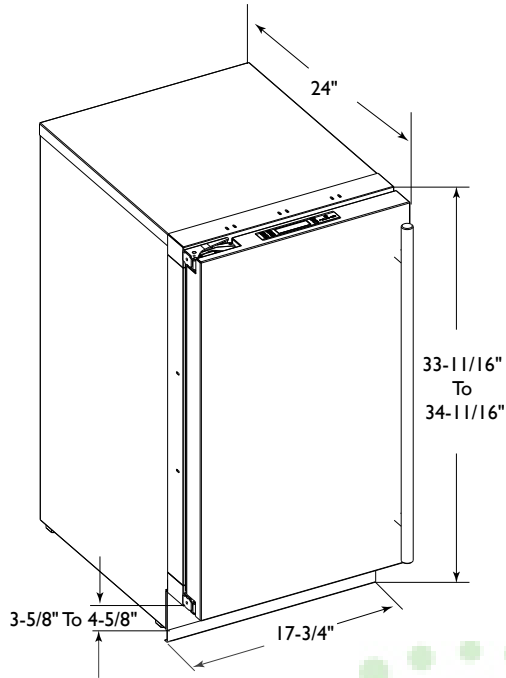
Customize clear ice cube density with a single touch for varying user preferences



Produces 32 clear ice cubes per cycle (7/8" W x 7/8" H x 7/8" L)

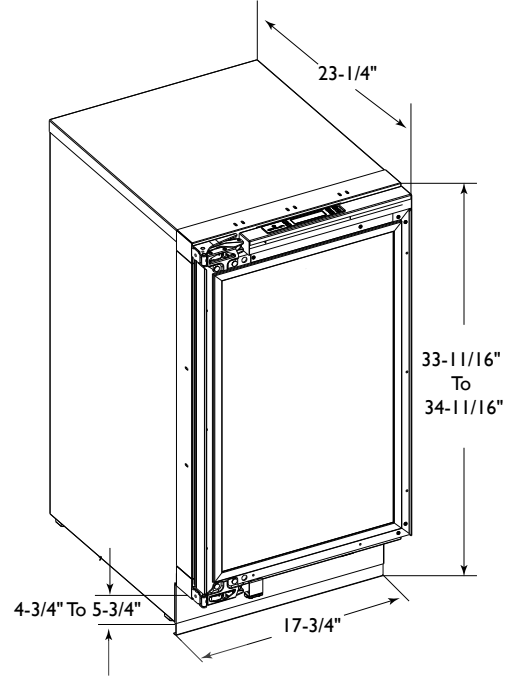


Silent Mode on the 3018CLR U-Select® Control will temporarily suspend ice production



3018CLRS Stainless Model

*No additional depth required for water hook-up



3018CLROL Overlay Model

DIMENSIONS AND SPECIFICATIONS

OVERALL DIMENSIONS

Height	33-9/16" (85.2)
Width	17-3/4" (45)
Depth	24" (61)
Shipping weight:	
Overlay model (w/o pump)	110 lbs (50kg)
Stainless model (w/o pump)	118 lbs (53kg)
Overlay model (w/ pump)	117 lbs (53kg)
Stainless model (w/ pump)	125 lbs (56kg)
Running amps	4.0
Amps pertain to voltage rating	110/115 volt, 60Hz
Approximate daily ice production	Up to 60 lbs
Ice storage	Up to 30 lbs

3018CLR

Stainless Right-hand, no pump	U-3018CLRS-00
Stainless Right-hand, with pump	U-3018CLRS-40
Stainless Left-hand, no pump	U-3018CLRS-01
Stainless Left-hand, with pump	U-3018CLRS-41
Overlay Right-hand, no pump	U-3018CLROL-00
Overlay Right-hand, with pump	U-3018CLROL-40
Overlay Left-hand, no pump	U-3018CLROL-01
Overlay Left-hand, with pump	U-3018CLROL-41

Please visit www.u-line.com for installation guide.
All specifications are subject to change without notice.

