

PERFORMANCE · QUALITY · CUSTOMER SERVICE

QUIET OPERATION

- Large 3-speed blower operates at lower RPM reducing the sound level

EASE OF OPERATION

- Remote control included with purchase
- Optional automatic 5 minute shut off timer
- Electronic touch controls with blue LED lighting

EASY CLEANING

- Dishwasher-safe commercial-style baffle filters with 2 easy-grip handles
- Detergent inlet holes and grease exit holes in baffle filters for superior dishwasher cleaning

SIMPLE INSTALLATION

- Includes simple wall mount brackets
- Wiring diagram label for simple electrical connection
- Under cabinet mount option (as shown)

DISTINCTIVE LOW-PROFILE DESIGN

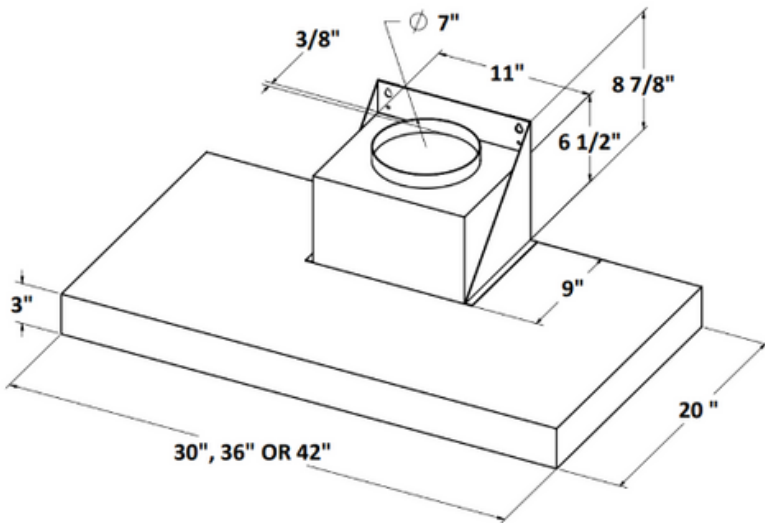
- Contemporary low-profile design with telescopic 10' ceiling duct cover included
- Optional telescopic 12' ceiling duct cover

ENDURING QUALITY

- Commercial grade stainless steel (#304 grade) and galvanized steel construction
- LED lights brighten cooking area
- CFM and sound tested by Energy Systems Laboratory at Texas A&M University

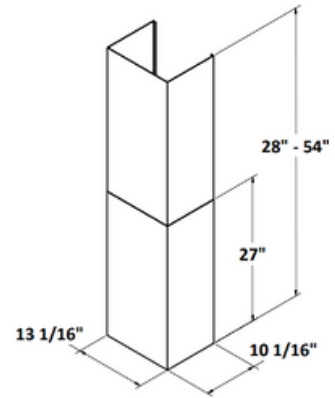


MODEL	FRONT TO BACK	WIDTH	COLOR	3-SPEED INTERNAL BLOWER	CFM	LED LIGHTS	S/S BAFFLE FLITERS	REMOTE CONTROL	DUCT COLLAR	ELECTRONIC TOUCH CONTROL
30303RC	20"	30"	S/S	✓	390	2	✓	✓	7"	✓
30363RC	20"	36"	S/S	✓	390	2	✓	✓	7"	✓
30423RC	20"	42"	S/S	✓	390	2	✓	✓	7"	✓



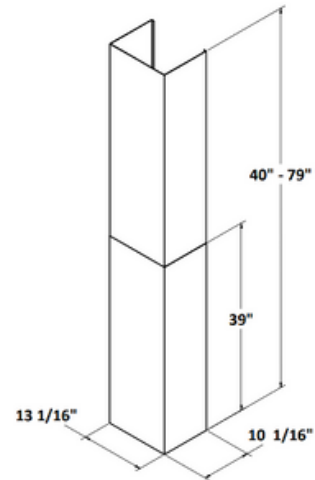
RANGE HOODS

OPTIONAL DUCTLESS CONVERSION KIT MODEL #: 5BL-33-300-DCK1



DUCT COVER

*Included for ceilings 8' to 10'



DUCT COVER: MODEL #: DC3000-12

*Sold separately for ceilings 10' to 12'

For more information, please contact your dealer or your TRADE-WIND® representative.



800 WEST GRANT STREET
PHOENIX, AZ 85007
1-800-955-5737
602-900-8500
T-WUSA.COM



TRADE-WIND Manufacturing, LLC has a policy of continuous improvements and reserves the right to modify (at any time without notice) any or all of its products, features, designs, components and specifications. For further information on installation and wiring, see the installation instructions included with the product or visit us on the web.