

## OWNER'S MANUAL

## MANUEL DE L'UTILISATEUR

**Model • Modèle**  
**3.1SM6R**

## COMPACT REFRIGERATOR

**Owner's Manual** ..... 1-8

- Safety Instructions
- Installation
- Operation
- Refrigerator Bracket & Microwave Installation
- Care and Maintenance
- Features
- Door Reversal Instructions
- Troubleshooting Guide
- WARRANTY

## RÉFRIGÉRATEUR COMPACT

**Manuel d'utilisation** ..... 9-16

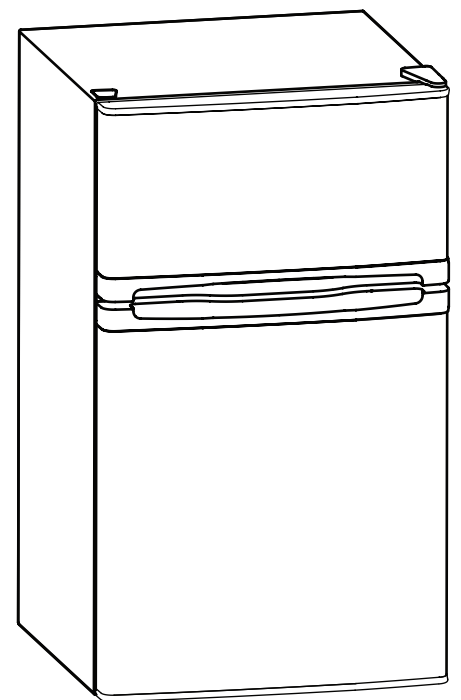
- Consignes de sécurité
- Installation
- Fonctionnement
- Support du réfrigérateur et installation du micro-ondes
- Soins et entretien
- Caractéristiques
- Instructions pour le renversement de la porte
- Guide de dépannage
- GARANTIE

### CAUTION:

Read and follow all safety rules and operating instructions before first use of this product.

### PRÉCAUTION:

Veillez lire attentivement les consignes de sécurité et les instructions d'utilisation avant l'utilisation initiale de ce produit.



**3.1SM6R**

## Safety Instructions

### ATTENTION

#### GROUNDING INSTRUCTIONS

This appliance must be grounded. In the event of an electrical short circuit, grounding reduces the risk of electrical shock by providing an escape wire for the electrical current. This appliance is equipped with a cord that has a grounding wire and a grounding plug. The plug must be plugged into an outlet that is properly installed and grounded.

**WARNING** - Improper use of the grounding plug can result in a risk of electric shock. Consult a qualified electrician or service person if the grounding instructions are not completely understood.

#### DO NOT USE AN EXTENSION CORD

Use an exclusive 115V wall outlet. Do not connect your refrigerator to extension cords or together with any other appliance in the same wall outlet. Do not splice the cord.

#### IMPORTANT WARNING

An empty refrigerator is a very dangerous attraction to children. Remove either the gasket, latches, lids or doors from unused appliances, or take some other action that will guarantee that it's harmless.

**DANGER:** Risk of child entrapment. Before you throw away your old refrigerator or freezer:

- Take off the doors
- Leave the shelves in place so that children may not easily climb inside.

**DON'T WAIT! DO IT NOW!**

## WARNING! EXPLOSION HAZARD!

Risk of fire or explosion due to puncturing of refrigerant tubing. Do not use sharp objects to aid in defrost. Please handle with care. Keep flammable materials and vapors such as gasoline away from the refrigerator. Use nonflammable cleaner.

Disposal of this unit should be in accordance with federal and local regulations.

Please ensure that component parts shall be replaced with like components and that servicing shall be done by factory authorized service personnel, so as to minimize the risk of possible ignition due to incorrect parts or improper service.

## Installation

Remove the exterior and interior packaging, wipe the outside thoroughly with a soft dry cloth and the inside with a wet, lukewarm cloth. Avoid placing the refrigerator in a narrow recess or near any heat source, direct sunlight, or moisture. Let air circulate freely around the refrigerator. Keep the back of the refrigerator at least 5 inches away from the wall.

### Location

1. Select a location with a sturdy, level floor.
2. Allow 5 inches of space between the back of the refrigerator and any adjacent wall.
3. Avoid direct sunlight and heat. Direct sunlight may affect the acrylic coating. Having heat sources nearby will cause higher electricity consumption.
4. Avoid very humid places. Too much moisture in the air will cause frost to form very quickly on the evaporator, and your refrigerator will have to be defrosted more often. This unit is not intended for outdoor use.

## Operation

To avoid vibration, the refrigerator must be level. To start the refrigerator, turn the temperature control to the position corresponding to the desired amount of cooling. The refrigerator temperature will vary depending on the quantity of the food being stored and how often the door is opened.

- The first time you turn the unit on, set the temperature control to "7" the coldest setting.
- The range of the temperature controls are from position "0" or NO COOLING to "7" the coldest setting. After 24 to 48 hours, adjust the temperature control to the setting that best suits your needs. The setting of "3" should be correct for home or office refrigerator use.

### NOTE:

- IF THE UNIT HAS BEEN UNPLUGGED, HAS LOST POWER, OR TURNED OFF, YOU MUST WAIT 3 TO 5 MINUTES BEFORE RESTARTING THE UNIT. IF YOU ATTEMPT TO RESTART BEFORE THIS TIME DELAY, THE REFRIGERATOR-FREEZER WILL NOT START.
- TURNING THE REFRIGERATOR TEMPERATURE CONTROL TO "0" POSITION STOPS THE COOLING CYCLE BUT DOES NOT SHUT OFF THE POWER TO THE UNIT.

**Caution - Risk of Electric Shock:** This equipment has two power supply cords. Unplug all cords before moving or servicing this equipment. Connect each plug to a single outlet circuit.

## Operation

### Interior Light

When you open the refrigerator door the light will turn ON automatically. When you close the door the light will turn OFF automatically.

### Defrosting your appliance

**When?** For the most efficient operation and minimum energy consumption, defrost the freezer compartment when the frost on the appliance walls is excessive or at least 1/4 inch thick.

There is no need to defrost the refrigerator compartment, because the ice that deposits on the inner back wall is defrosted automatically. Ice may deposit on the inner back wall during compressor operation. When the compressor is not operating however, the ice will defrost and the water drops will collect. They drain through the outlet in the inner back wall into the drain pan situated above the compressor, where they will evaporate.

### How?

#### CAUTION

Do not use boiling water because it may damage the plastic parts. Also, never use a sharp or metallic instrument to remove frost as it may damage the cooling coils and will void the warranty. We recommend using a plastic scraper.

- Reset the thermostat to the "0" position and disconnect the power supply.
- Remove the frozen food from the appliance and place it in a cooler for protection.
- Leave the door open long enough to soften the frost so that you can easily scrape it off.
- Use a plastic scraper but be careful not to damage the inner surfaces of the freezer.
- Wipe up the scraped off frost and ice before it is completely defrosted.

### Freezing Food

- Proper use of the appliance, packing food adequately, using correct temperature settings and taking hygienic precautions into account will substantially influence the quality of frozen foods.
- The storage life of frozen foods varies and the recommended storage time should not be exceeded.
- Pre-packaged, commercially frozen food should be stored in accordance with the frozen food manufacturer's instructions.

### Freezing Food (continued)

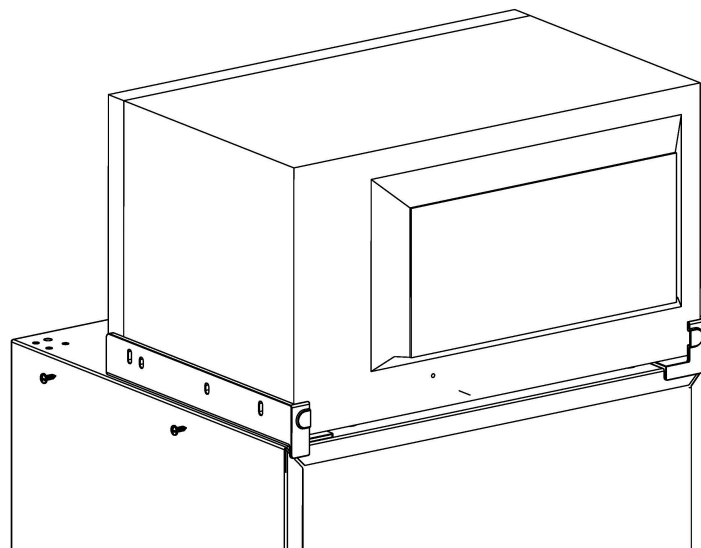
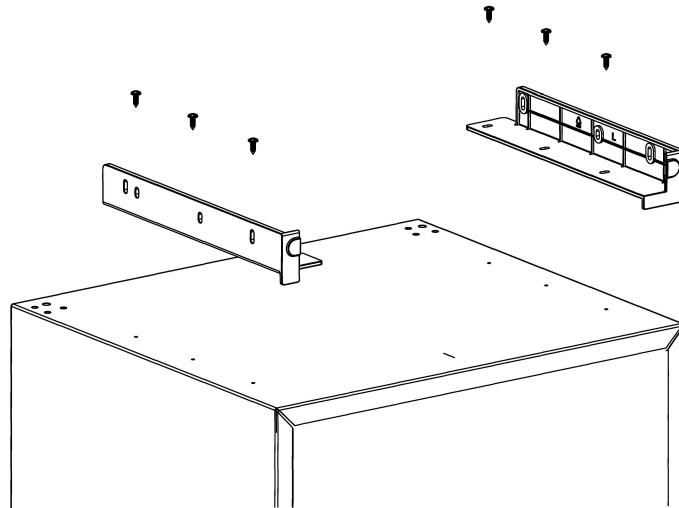
- Put frozen food in the freezer as quickly as possible after purchase. If there are instructions on the package, carefully follow these instructions regarding storage times.
- Carefully select the food you intend to freeze; it should be of adequate quality and suitable for freezing.
- Use the correct packaging and wrap food tightly.
- The packaging should be airtight and shouldn't leak, because this could cause substantial vitamin loss and food dehydration.
  - Foils and bags should be soft enough to wrap around the food tightly.
  - When preparing food to be frozen, consider sanitary precautions.
  - Mark all packages with the following information: type and amount of food, and the initial date of freezing.
  - It is extremely important that food is frozen as quickly as possible.
  - If too much food is loaded in the freezer, the efficiency and quality of freezing is reduced.

#### CAUTION

- Ensure that the voltage used in your home is the same as the documented appliance voltage.
- The presence of water present in food or in the air inside the refrigerator is caused by opening doors frequently and may form a layer of frost inside. The refrigerator will weaken if the frost gets thick. The refrigerator can defrost automatically. The defrosted water flows into the water collection pan through the drain port and evaporates by the heat of the compressor.
- If the supply cord of this appliance is damaged, it must only be replaced by a repair shop appointed by the manufacturer because special tools are required.
- It is dangerous to alter the specifications or attempt to modify this product in any way.
- When you change the light bulb or when the refrigerator is not in use for long periods of time, disconnect it from the electrical supply.
- Wait for 5 minutes before restarting the unit after a power supply interruption.
- To reduce the potential risk of electrical shock, this appliance is equipped with a grounding plug and it must be connected to a grounded socket.

## Refrigerator Bracket & Microwave Installation

1. Place the brackets on top of the refrigerator. Each bracket has three screw holes.
2. The preset holes on top of the refrigerator should be lined up with the holes on the bracket. Attach the bracket to the refrigerator using the six screws that come supplied with the refrigerator.
3. Place the microwave oven on top of the refrigerator inside the brackets. Line up the pre-set holes on each side and attach the microwave using the screws supplied with the microwave. Please remove the microwave screws prior to placing the microwave on top of the refrigerator. Install new screws through the bracket into the microwave.



## Care and Maintenance

### Cleaning the appliance

- Turn the temperature control to “0,” unplug the unit, and remove the interior accessories.
- Wash the inside walls with a solution of 2 tablespoons of baking soda to a quart of warm water.
- Wash the interior accessories with a mild detergent.
- The outside of the unit should be cleaned with a mild detergent and warm water.

### CAUTION

Failure to unplug the refrigerator-freezer could result in electrical shock or personal injury.

### Changing the light bulb

- Unplug the AC power cord from the wall.
- Make sure the light bulb is cool before removing it.
- Squeeze the tabs at the top and bottom of the light bulb cover simultaneously
- Remove the light bulb cover.
- Unscrew the bulb.
- Replace the old bulb with a 10 watt bulb that is the same shape and size.
- Replace the light bulb cover.
- Plug the power cord back into the wall.

### Power Failure

Most power failures are corrected within a few hours and should not affect the temperature of your refrigerator-freezer if you minimize the number of times the door is opened. If the power is going to be off for a longer period of time, you need to take the proper steps to protect your food.

### Vacation time

**Short vacations:** Leave the unit operating during vacations of less than three weeks.

**Long vacations:** If the appliance will not be used for more than 3 weeks, remove all food and throw it out or store it elsewhere and unplug the power cord. Clean and dry the interior thoroughly. To prevent odor and mold growth, leave the door open slightly, blocking it open if necessary.

### Some Important Rules for the Correct Use of the Refrigerator

- Never place hot foods in the refrigerator.
- Beverages should be stored in sealed containers.
- Foods to be stored for a long time should be packed in cellophane, polyethylene, or glass containers. Never place spoiled foods in the refrigerator.
- Don't overload the refrigerator.
- Don't open the door unless it's necessary.
- Should the refrigerator be stored without use for long periods it is suggested, after a careful cleaning, to leave the door ajar to allow the air to circulate inside the cabinet in order to avoid possible formation of condensate, mold or odors.

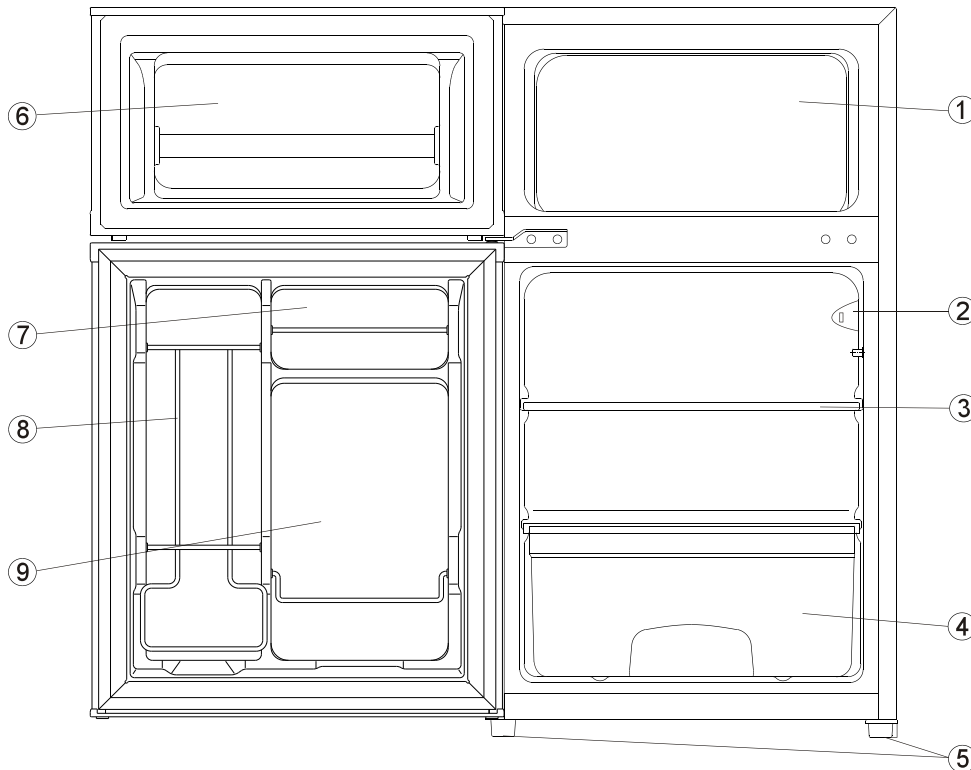
## Features

### Power Cord

The cord shouldn't be lengthened or rolled into a coil during operation. Most importantly, the cord must be kept away from the compressor at the back of the refrigerator. The surface temperature becomes quite high during operation. Contact with the compressor would weaken the insulation in the cord.

### Protection From Moisture

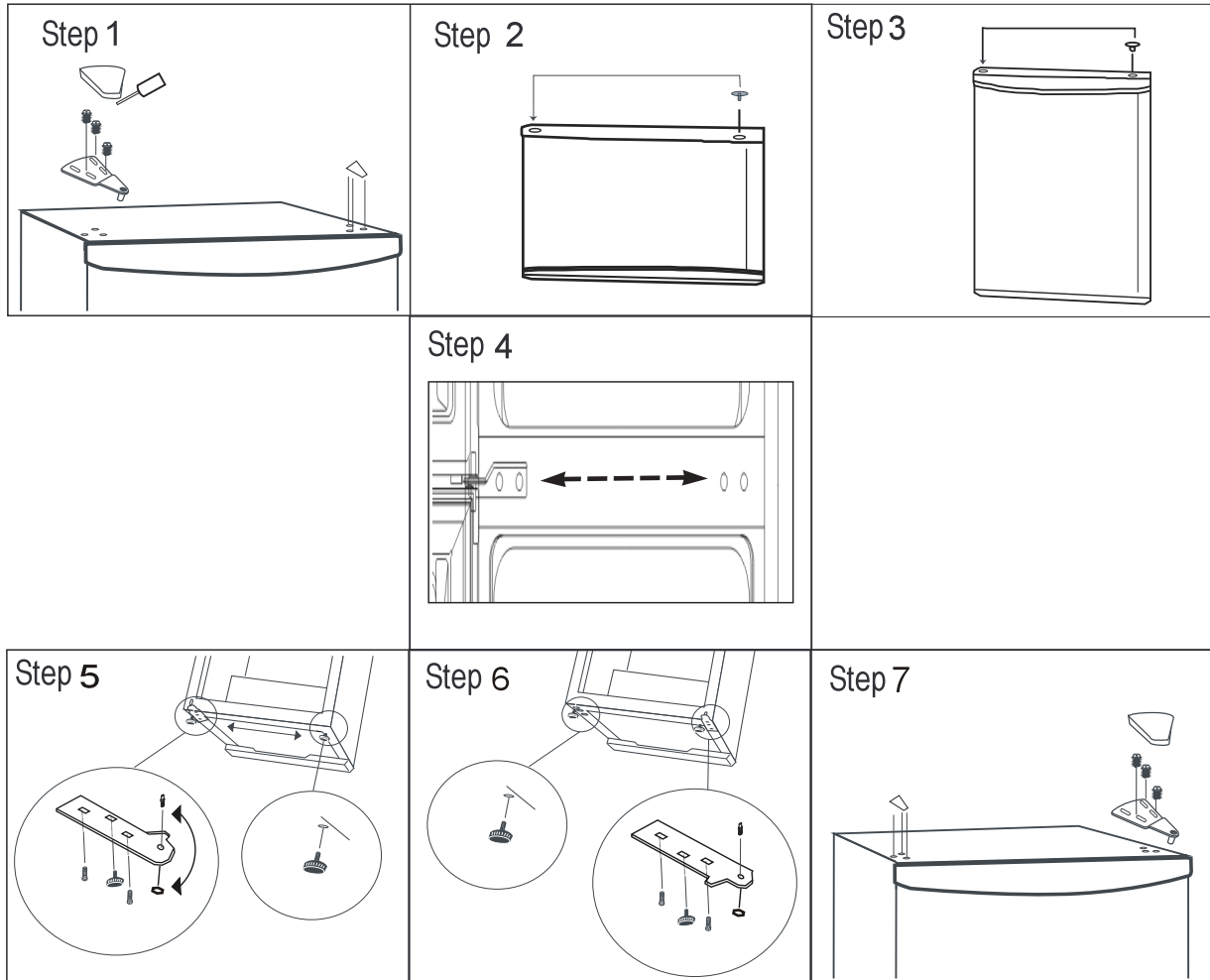
To minimize the possibility of rust on the metal parts avoid placing the refrigerator in a place where a lot of moisture is present. Furthermore, the refrigerator cannot be directly sprayed by water, otherwise, reduced insulation and an electrical short could occur.



1. Freezer Compartment
2. Temperature Control (with integrated Interior light assembly)
3. Wire Shelf (Total 1)
4. Crisper with Glass Cover
5. Leveling Leg
6. Freezer Door Bin
7. Refrigerator Door Bin
8. Beverage Can Dispenser
9. 2-Liter Bottle Bin

## Door reversal Instructions

This refrigerator has been built with the door hinges on the left. If you wish to change the opening direction, follow the instructions below:



## Troubleshooting Guide

Occasionally, a problem is minor and a service call may not be necessary- use this troubleshooting guide for a possible solution. If the unit continues to operate improperly, call an authorized service depot **1-800-637-7567** for assistance.

<b>PROBLEM</b>	<b>SOLUTION</b>
<b>When the refrigerator does not work.</b>	Check to see if there has been a power failure. Check if the power plug is not plugged into the power outlet. Check to see if the fuse has been blown.
<b>When the refrigerator is cooling excessively.</b>	The temperature control dial may be set too cold. If you place food containing a lot of moisture directly under the cool air outlets they will freeze quickly. This does not indicate malfunction.
<b>When the refrigerator is not cooling sufficiently.</b>	The food may be packed too tightly together which will block the flow of cool air. You may have put something hot or too much food into the refrigerator. The door may not have been closed properly. The door gaskets may be damaged. The refrigerator may not be ventilated properly. There may be insufficient clearance between the refrigerator and adjacent surfaces. The temperature control dial may not be set properly.
<b>When the defrosting water overflows inside the refrigerator and onto the floor.</b>	Make sure that the drain pipe and the drain hose are not clogged. Make sure that the drain pan is housed properly.
<b>When condensation forms on the outside of the refrigerator.</b>	Condensation may form on the outside when humidity is high such as during a wet season. This is the same result as the condensation that forms when chilled water is poured into a glass. It does not indicate a failure. Wipe it with a dry cloth.
<b>When you hear a sound like water flowing.</b>	If you hear a sound like "water flowing", it is the sound of refrigerant flowing. It does not indicate a malfunction.
<b>When the cabinet's side panel heats up.</b>	The side panel of the refrigerator will heat up when the door is opened or closed frequently, when starting the unit and in the summer with a high temperature outside. In such case do not touch the panel. The heated panels results from the dissipation of heat from inside the cabinet and it does not mean that something is wrong with the refrigerator.



# Danby OnePlug™ by MicroFridge® , a Product of INTIRION™ Corporation

## Microwave Oven and Refrigerator/Freezer Residential Limited Warranty

INTIRION, a division of Danby Limited, is pleased to provide a comprehensive warranty on these products. INTIRION takes pride in its product and manufacturing standards and warrants its products and parts against defects in materials or workmanship to the original purchaser.

<u>Subassembly</u>	<u>Duration</u>
- Microwave oven and refrigerator/freezer components	1 years

All requests for service should be directed to Customer Service at INTIRION by calling 1-800-637-7567 if you are located in the U.S., and 1-800-263-2629 if you are located in Canada. INTIRION offers a quick response customer service program. Customer Service will diagnose the problem and either promptly replace or repair the unit, at the discretion of INTIRION.

Danby OnePlug™ by MicroFridge® warranty services are performed by **INTIRION authorized** service providers. INTIRION expects prompt, courteous and efficient service. INTIRION further expects that all **authorized service providers** will make every reasonable effort to enhance the image and reputation of INTIRION and its products. Inadequate service or customer dissatisfaction should be promptly reported to INTIRION.

Damage initiated by spark fires caused by using inappropriate material inside the microwave oven is specifically excluded from this warranty. INTIRION assumes no liability and does not guarantee or warrant any repairs and/or replacement parts not supplied or performed by an **authorized service provider**, nor any 50/60 cycle or 60/50 cycle conversions, damage caused by failure to follow the owner's manual as to adjustments and/or maintenance, customer adjustments that are not covered in the instruction booklet, broken or marred cabinet, misuse, neglect, accident, fire, flood or other acts of nature.

THIS WARRANTY WILL BECOME INVALID IF ANY SERIAL NUMBER ON THE PRODUCT IS ALTERED, REPLACED, DEFACED OR MISSING. THIS WARRANTY IS FOR INTIRION PRODUCTS PURCHASED AND USED IN THE UNITED STATES AND CANADA EXCEPT FOR UNITED STATES POSSESSIONS AND/OR DOMINIONS OF THE UNITED STATES.

This is the entire INTIRION warranty and it may not be changed or amended by any person, agency, distributor, dealer, or company. INTIRION assumes no liability and indeed specifically denies responsibility for any consequential damages beyond the repair or replacement of the product or its components.

The warranty period begins on the date of sale and proof of that date (evidenced by an original sales slip or bill of sale) will be necessary to initiate a warranty claim.

### DANBY ONEPLUG™ BY MICROFRIDGE®, A PRODUCT OF INTIRION™ CORPORATION

2 Annette Rd Ste 3, Foxborough, MA 02035	1-800-637-7567	U.S. Customers
PO Box 1778, Guelph, Ontario, Canada N1H 6Z9	1-800-263-2629	Canada Customers

**For your protection in the event of theft or loss of this product,  
Please fill in the information below:**

**Model No.** \_\_\_\_\_  
(Located on rear and inner right wall)

**Serial No.** \_\_\_\_\_  
(Located on rear and inner right wall)

**Date of Purchase** \_\_\_\_\_

INTIRION CORP.  
2 Annette Road, Suite 3  
Foxborough, MA 02035  
1-800-637-7567

Printed in China

## Consignes de sécurité

### ATTENTION

#### MISE À LA TERRE

Cet appareil doit être mis à la terre. En cas de court-circuit, la mise à la terre réduit les risques de décharge électrique en fournissant un échappatoire au courant électrique. L'appareil est muni d'un cordon électrique comprenant un fil de mise à la terre et une fiche de terre. Branchez la fiche dans une prise de courant correctement installée et mise à la terre.

**Avertissement** Une fiche de mise à la terre mal branchée peut entraîner un risque d'incendie, de choc électrique ou de blessures aux personnes qui utilisent l'appareil. Si vous n'êtes pas certain que l'appareil est correctement mis à la terre, consultez un préposé du service qualifié.

#### N'UTILISER JAMAIS DE FIL DE RALLONGE

Branchez le réfrigérateur à son propre circuit de 115V. N'utilisez pas de rallonge électrique pour brancher votre réfrigérateur. Ne branchez pas le réfrigérateur à une prise femelle multiple qui sera également utilisée pour d'autres appareils électriques. N'épissez pas le cordon électrique.

#### AVERTISSEMENT IMPORTANT!

Un réfrigérateur vide peut représenter un attrait dangereux aux enfants. Retirer le joint d'étanchéité, les loquets, les couvercles ou portes des appareils ménagers inutilisés, ou prenez d'autres mesures qui assureront que l'appareil ne posera aucun danger.

**DANGER:** Risque de piéger un enfant. Avant de mettre votre vieux congélateur ou réfrigérateur au rebut:

- Enlever les portes.
- Laisser les tablettes en place afin que les enfants ne puissent pas facilement y entrer.

**N'ATTENDEZ PAS! FAITES-LE IMMÉDIATEMENT!**

## Installation

Enlever les emballages extérieur et intérieur. Essuyer complètement l'extérieur avec un linge doux sec et l'intérieur avec un linge humide tiède. Il ne faut jamais situer l'appareil dans un recoin étroit, proche d'une source d'air chaud. L'air doit circuler à l'entour de l'appareil. Éloignez le réfrigérateur au moins 5 pouces du mur.

### Emplacement

1. Choisir une place où le plancher est dur et à niveau.
2. Éloigner l'appareil de 5 pouces des murs arrière et de côté.
3. Éviter les rayons de soleil et la chaleur directs qui peuvent affecter la surface en acrylique. Les sources de chaleur rapprochées augmentent la consommation d'énergie.
4. Éviter les endroits très humides. L'humidité élevée dans l'air occasionne la formation rapide de gel sur l'évaporateur et le réfrigérateur. Le réfrigérateur devra être dégivré fréquemment. Cet appareil n'est pas destiné à une utilisation en extérieur.

## Fonctionnement

Il faut s'assurer que le meuble de l'appareil est à niveau afin d'éviter la vibration. Mettre l'appareil en marche en tournant la commande du thermostat à la position désirée de refroidissement. La température du réfrigérateur varie selon la quantité d'aliments rangés et du nombre d'ouvertures de la porte.

- La première fois que vous allumez l'appareil, réglez le contrôle de la température à « 7 », la température la plus froide.
- Le contrôle de température va de la position « 0 » c.-à-d. PAS DE REFROIDISSEMENT à la position « 7 », la température la plus froide. Après 24 à 48 heures, ajustez le thermostat à la température qui correspond le mieux à vos besoins. La position « 3 » est celle qui convient pour l'utilisation du réfrigérateur à la maison ou au bureau.

**Attention - Risque de choc électrique :** Cet équipement a deux cordons d'alimentation. Débranchez tous les cordons avant de déplacer ou d'entretenir cet équipement. Connectez chaque fiche à un circuit de sortie unique.

## AVERTISSEMENT! DANGER D'EXPLOSION!

Risque d'incendie ou d'explosion causé par la perforation de tuyaux frigorigènes. Ne jamais utiliser un objet pointu pour assister au dégel. Manipuler avec soin. Garder les matériaux et vapeurs inflammables comme de l'essence loin du réfrigérateur. Utiliser un nettoyeur ininflammable.

La mise au rebut de cet item doit être faite selon les lois locales et fédérales.

**Veillez vous assurer que les pièces de rechange sont remplacées par des pièces similaires, et que l'entretien soit effectué par un technicien agréé par l'usine, afin de réduire le risque d'incendie à cause de mauvaises pièces ou d'entretien mal fait.**

## Fonctionnement

### REMARQUE :

- LORSQUE L'APPAREIL EST DÉBRANCHÉ, QUE LE COURANT EST COUPÉ OU QU'IL EST ARRÊTÉ, IL FAUT ATTENDRE DE 3 À 5 MINUTES AVANT DE LE REMETTRE EN MARCHÉ. EN CAS DE TENTATIVE DE REMISE EN MARCHÉ AVANT QUE CE LAPSE DE TEMPS SE SOIT ÉCOULÉ, LE RÉFRIGÉRATEUR-CONGÉLATEUR NE SE REMETTRA PAS EN MARCHÉ.
- LE FAIT DE TOURNER LE THERMOSTAT SUR LA POSITION « 0 » ARRÊTE LE CYCLE DE REFROIDISSEMENT, MAIS NE COUPE PAS L'ALIMENTATION ÉLECTRIQUE DE L'UNITÉ.

### Éclairage intérieur

Lorsque vous ouvrez la réfrigérateur porte, la lumière s'allume automatiquement. Lorsque vous fermez la porte, la lumière s'éteint automatiquement.

### Dégivrer votre appareil

**Quand?** Pour un fonctionnement efficace et une consommation d'énergie minimale, dégivrez le congélateur lorsque le givre sur les murs de l'appareil dépasse 1/4 de pouce d'épaisseur.

Nul besoin de dégivrer la partie réfrigérateur, car les dépôts de glace se formant sur la paroi arrière intérieure sont dégivrés de manière automatique. Il se peut que de la glace se dépose sur la paroi intérieure arrière lorsque que le compresseur est en marche. Par contre, si le compresseur n'est pas en état de marche, la glace sera dégivrée et les gouttes d'eau seront recueillies. Elles sont évacuées par la sortie de la paroi arrière intérieure et se déversent dans le bac situé au-dessus du compresseur, d'où elles s'évaporent.

### Comment?

#### MISE EN GARDE

N'utilisez pas d'eau bouillante, car elle pourrait abîmer les pièces en plastique. Aussi, n'utilisez jamais d'instrument pointu ou métallique pour enlever le givre car vous pourriez endommager les serpentins de refroidissement et par conséquent annuler la garantie. Nous vous recommandons d'utiliser un grattoir en plastique.

- Remettez le thermostat à la position « 0 » et débranchez l'appareil.
- Retirez les aliments congelés de l'appareil et placez-les dans une glacière pour les garder au frais.
- Laissez la porte ouverte assez longtemps pour ramollir le givre afin de pouvoir le retirer facilement à l'aide d'un grattoir.
- Utilisez un grattoir en plastique, mais attention à ne pas endommager les surfaces intérieures du congélateur.
- Avant qu'ils ne soient complètement décongelés, essuyez le givre et la glace.

## Congélation des aliments

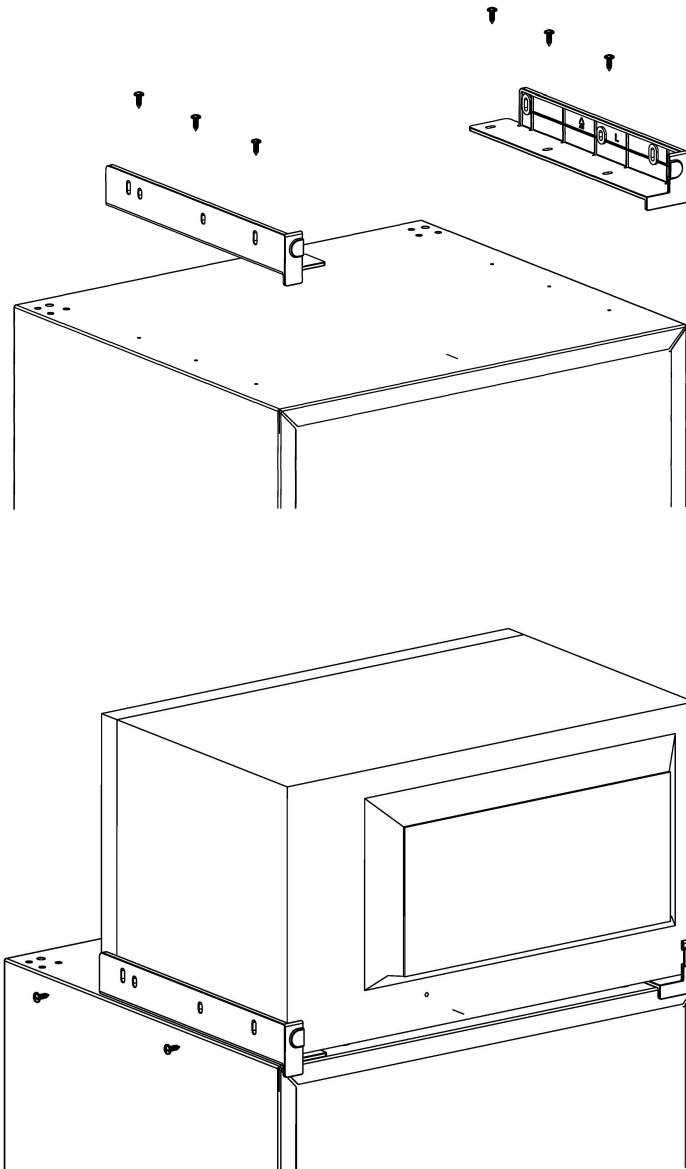
- Utiliser convenablement l'appareil, emballer les aliments adéquatement, ajuster la température correctement et tenir compte de précautions d'hygiène adéquates influencera de façon importante la qualité des aliments congelés.
- La durée de conservation des aliments congelés varie, par conséquent on ne doit pas dépasser la période d'entreposage maximale recommandée.
- Les aliments surgelés pré-emballés commercialement doivent être conservés conformément aux instructions du fabricant de produits surgelés.
- Placez les aliments surgelés au congélateur le plus rapidement possible après l'achat. Lorsque l'emballage comporte des indications, observez-les de manière stricte en ce qui touche les périodes de conservation.
- Choisissez soigneusement la nourriture que vous avez l'intention de surgeler : elle doit être de bonne qualité et être adaptée à la congélation.
- Utilisez l'emballage qui convient et enveloppez les aliments hermétiquement.
- L'emballage doit être hermétique et ne devrait pas avoir de fuites, car cela pourrait causer une perte de vitamines importante et la déshydratation des aliments.
- Les feuilles d'emballage et les sacs doivent être relativement souples pour bien envelopper la nourriture.
- Lorsque vous préparez des aliments pour les mettre au congélateur, prenez toutes les précautions sanitaires.
- Inscrivez les données suivantes sur tous les emballages : type et quantité de nourriture, et date d'entreposage.
- Il est extrêmement important que la nourriture soit congelée le plus vite possible.
- Si une quantité trop importante d'aliments est placée au congélateur, l'efficacité et la qualité de la congélation diminuent.

#### MISES EN GARDE

- Assurez-vous que la tension utilisée dans la maison est la même que la tension documentée de l'appareil.
- La présence dans le réfrigérateur de l'eau présente dans les aliments ou dans l'air est causée par l'ouverture des portes et peut former une couche de givre à l'intérieur. Le réfrigérateur sera moins performant si la couche de givre est épaisse. Le réfrigérateur a un dégivrage automatique. L'eau de dégivrage s'écoule dans le plateau de collecte d'eau à travers l'orifice de fuite et s'évapore grâce à la chaleur du compresseur.
- Si le cordon d'alimentation de cet appareil est endommagé, il doit être remplacé uniquement dans un atelier de réparation désigné par le fabricant, car des outils spéciaux sont requis.
- Il est dangereux de modifier les spécifications de ce produit ou de tenter de modifier celui-ci de quelque façon que ce soit.
- Lorsque vous remplacez l'ampoule ou quand votre réfrigérateur n'est pas utilisé lors de longues périodes, débranchez-le.
- Attendez 5 minutes avant de redémarrer l'appareil s'il y a eu une panne d'électricité.
- Pour réduire le risque potentiel de choc électrique, cet appareil est équipé d'une prise de mise à la terre et doit être connecté à une prise de terre.

## Support du réfrigérateur et installation du micro-ondes

1. Placez les supports sur le dessus du réfrigérateur. Chaque support a trois trous de vis.
2. Les trous pré-réglés sur le dessus du réfrigérateur doivent être alignés avec les trous sur le support. Fixez le support au réfrigérateur à l'aide des six vis fournies avec le réfrigérateur.
3. Placez le four à micro-ondes sur le dessus du réfrigérateur à l'intérieur des supports. Alignez les trous pré-réglés de chaque côté et fixez le micro-ondes en utilisant les vis fournies avec le micro-ondes. S'il vous plaît retirer les vis à micro-ondes avant de placer le micro-ondes sur le dessus du réfrigérateur. Installez de nouvelles vis à travers le support dans le micro-ondes.



## Soins et entretien

### Nettoyage de l'appareil

- Tournez le thermostat à « 0 », débranchez l'appareil et retirez les accessoires intérieurs.
- Lavez les parois intérieures avec une solution composée de deux cuillers à soupe de bicarbonate de soude dans une pinte d'eau chaude.
- Lavez les accessoires intérieurs avec un détergent doux.
- L'extérieur de l'appareil doit être nettoyé à l'aide d'un détergent doux dilué dans de l'eau chaude.

### MISE EN GARDE

Ne pas débrancher le réfrigérateur-congélateur pourrait vous exposer à un risque de choc électrique ou de blessure corporelle.

### Changement de l'ampoule

- Débranchez le cordon d'alimentation du mur.
- Avant de la retirer, assurez-vous que l'ampoule a refroidi.
- Pressez simultanément les onglets en haut et en bas du protège-lampe.
- Retirez le protège-lampe.
- Dévissez l'ampoule.
- Remplacez l'ancienne ampoule par une ampoule de 10 watts qui est de la même forme et de la même taille.
- Remplacez le protège-lampe.
- Rebranchez le cordon d'alimentation sur la prise murale.

### Panne d'électricité

La plupart des pannes de courant ne durent que quelques heures et ne devraient pas modifier la température de votre réfrigérateur-congélateur si vous réduisez au minimum le nombre de fois où la porte est ouverte. Si le courant reste coupé pendant une longue période, il faut prendre des mesures pour protéger les aliments.

### Période de vacances

**Des vacances de courte durée :** Laissez l'appareil fonctionner normalement pendant des vacances de moins de trois semaines.

**Vacances de longue durée :** Si l'appareil ne sera pas utilisé pendant plus de 3 semaines, retirez tous les aliments et jetez-le ou conservez-les ailleurs, et débranchez le cordon d'alimentation. Nettoyez et asséchez à fond l'intérieur. Pour éviter les odeurs et le développement de moisissures, laissez la porte entrouverte, en la coinçant au besoin.

### Consignes de sécurité importantes pour l'utilisation du réfrigérateur

- Ne jamais ranger d'aliments chauds dans le réfrigérateur.
- Ranger les breuvages dans des contenants étanches.
- Pour la conservation de longue durée, envelopper les aliments dans une pellicule cellophane ou polyéthylène, ou les mettre dans des contenants en verre. Ne jamais ranger d'aliments gâtés dans le réfrigérateur.
- Ne jamais surcharger le réfrigérateur.
- Ouvrir la porte seulement si nécessaire.
- Pour un rangement prolongé de l'appareil, il est suggéré de laver l'appareil, de laisser la porte ouverte afin de fournir une circulation d'air à l'intérieur du meuble et d'éviter le développement de condensation, de moisi et d'odeurs.

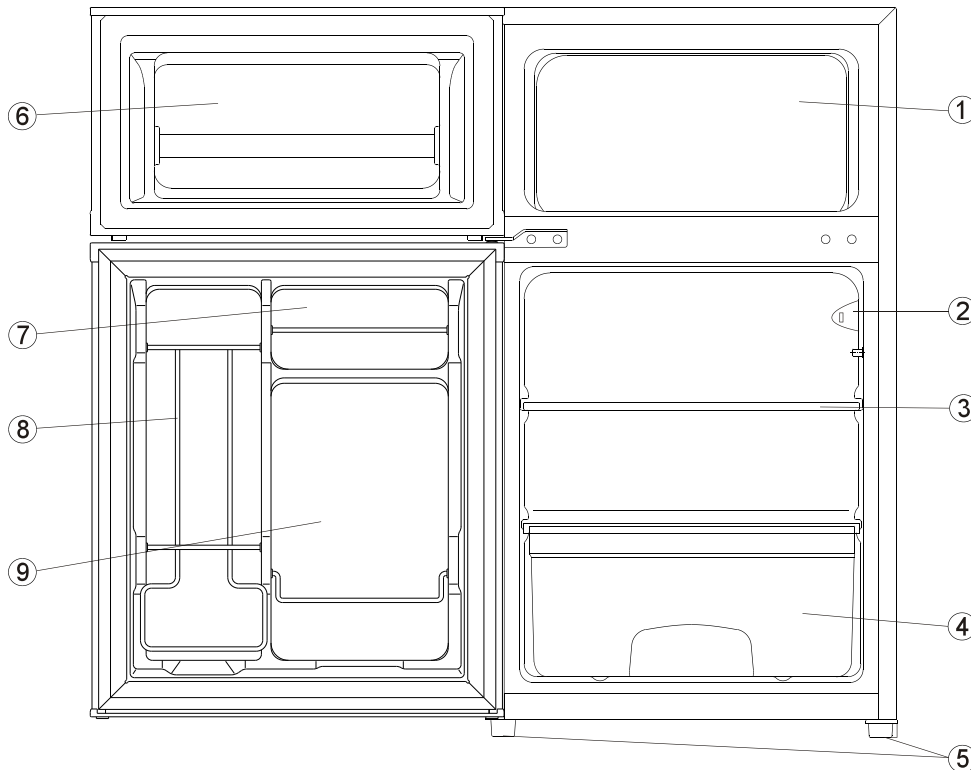
## Caractéristiques

### Cordon d'alimentation

On ne doit pas ajouter une rallonge électrique et le cordon électrique ne doit pas être roulé en bobine lorsque l'appareil est en marche. Surtout, le cordon doit être tenu à l'écart du compresseur à l'arrière du réfrigérateur. La température de surface devient assez élevée pendant le fonctionnement. Tout contact avec le compresseur affaiblirait l'isolant du cordon.

### Protection contre la moisissure

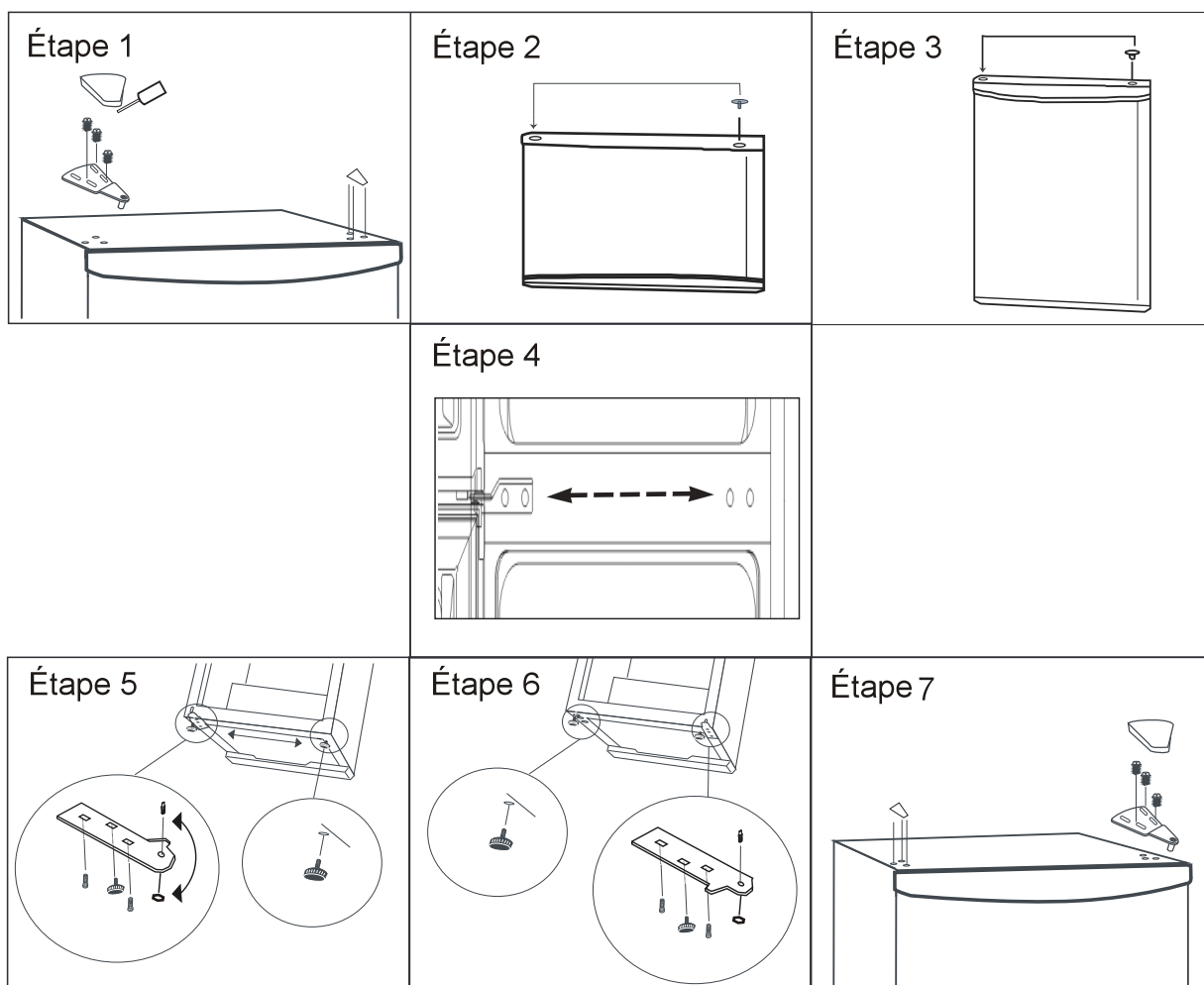
Pour minimiser la formation de rouille sur les pièces métalliques, n'installez pas le réfrigérateur à un endroit très humide. De plus, le réfrigérateur ne doit pas être aspergé d'eau, ce qui pourrait réduire l'isolation et entraîner un court-circuit électrique.



1. Compartiment de congélation
2. Contrôle de la température (avec lumière intérieure intégrée)
3. Clayette métallique (1 au total)
4. Compartiment à fruits et légumes avec couvercle en verre
5. Pieds de nivellement
6. Casier de rangement dans la porte du congélateur
7. Casier de rangement dans la porte du réfrigérateur
8. Distributeur de canettes
9. Casier pour bouteille de 2 litres

## Consignes pour l'inversion de la porte

Ce réfrigérateur a été construit avec les charnières de porte à gauche. Si vous souhaitez changer le sens d'ouverture des portes, veuillez lire attentivement les instructions ci-dessous :



## Guide de dépannage

Il peut arriver qu'un problème mineur se produise qui ne nécessite pas d'appel de service : consultez ce guide de dépannage pour trouver une solution possible. Si l'appareil continue de mal fonctionner, appelez un atelier de réparation autorisé au **1-800-637-7567** pour obtenir de l'assistance.

<b>PROBLÈME</b>	<b>SOLUTION</b>
<b>Lorsque le réfrigérateur ne fonctionne pas.</b>	Vérifiez pour voir s'il y a eu une panne de courant. Vérifiez si la fiche d'alimentation est branchée sur la prise électrique. Vérifiez si le fusible a sauté.
<b>Lorsque le réfrigérateur est trop froid.</b>	Le thermostat est peut-être réglé à une température trop basse. Si vous placez de la nourriture contenant beaucoup d'humidité directement sous les prises d'air frais, elle gèlera facilement. Ceci n'est pas l'indication d'un mauvais fonctionnement.
<b>Lorsque le réfrigérateur n'est pas assez froid.</b>	S'il la nourriture n'est pas espacée convenablement, l'air frais ne pourra circuler. Vous avez peut-être mis des aliments chauds ou une trop grande quantité d'aliments dans le réfrigérateur. Il se peut que la porte n'ait pas été fermée totalement. Les joints de la porte sont peut-être endommagés. Le réfrigérateur n'est pas ventilé suffisamment. Il n'y a pas assez d'espace entre le réfrigérateur et les autres surfaces. Le thermostat peut ne pas être réglé correctement.
<b>Lorsque l'eau de dégivrage déborde à l'intérieur du réfrigérateur et sur le plancher.</b>	Vérifiez que le conduit d'évacuation et le tuyau de vidange ne sont pas obstrués. Assurez-vous que le bac de drainage est bien installé.
<b>Lorsque de la condensation se forme sur l'extérieur du réfrigérateur.</b>	Il se peut que de la condensation se forme sur l'extérieur lorsque l'humidité de l'air est élevée (au cours d'une saison humide). C'est le même type de condensation que lorsque de l'eau glacée est versée dans un verre. Ceci n'est pas l'indication d'un mauvais fonctionnement. Essayez à l'aide d'un chiffon.
<b>Lorsque vous entendez comme si de l'eau coulait.</b>	Si vous entendez un bruit comme si de l'eau était en train de couler, c'est en fait le bruit du réfrigérant qui circule. Ceci n'est pas l'indication d'un mauvais fonctionnement.
<b>Lorsque le panneau latéral de l'armoire se réchauffe.</b>	Le panneau latéral du réfrigérateur se réchauffe lorsque la porte est ouverte ou fermée fréquemment, lors du démarrage de l'appareil et en été avec une température extérieure élevée. Dans de tels cas, ne pas toucher le panneau. Le réchauffement des panneaux est causé par la dissipation de chaleur contenue dans l'armoire et ne signifie pas que le réfrigérateur fonctionne mal.



# Danby OnePlug™ de MicroFridgeMD, un produit d'INTIRION™ Corporation

## Garantie limitée du four à micro-ondes et du réfrigérateur/congélateur pour usage résidentiel

INTIRION, une division de Danby Limited, a le plaisir de fournir une garantie exhaustive sur ces produits. INTIRION est fière de ses produits et de ses normes de fabrication, et garantit que ses produits et ses pièces sont exempts de défauts de fabrication ou de main-d'œuvre pour le premier acheteur.

<u>Sous-assemblage</u>	<u>Durée</u>
- Four à micro-ondes et éléments de réfrigérateur/de congélateur	1 an

Toutes les demandes d'entretien ou de réparation doivent être adressées au service à la clientèle d'INTIRION, en composant le 1-800-637-7567 si vous êtes situé aux États-Unis et le 1-800-263-2629 si vous êtes situé au Canada. INTIRION offre un programme de service à la clientèle ayant une réponse rapide. Le service à la clientèle diagnostiquera le problème et soit remplacera ou réparera l'appareil dans les délais les plus brefs, à la discrétion d'INTIRION.

Les services au titre de la garantie des appareils Danby OnePlug™ de MicroFridgeMD sont assurés par les fournisseurs de services **autorisés d'INTIRION**. INTIRION s'attend à un service rapide, courtois et efficace. INTIRION prévoit que tous les **fournisseurs de services autorisés** feront de leur mieux pour rehausser l'image et la réputation d'INTIRION et de ses produits. Un service inadéquat ou l'insatisfaction d'un client doit être signalé à INTIRION dans les plus brefs délais.

Les dommages générés par des feux allumés par des étincelles, causés par l'utilisation d'un matériau inapproprié dans le four à micro-ondes, sont spécifiquement exclus de cette garantie. INTIRION n'assume aucune responsabilité et ne garantit aucune réparation qui n'est pas effectuée ou pièce de rechange qui n'est pas fournie par un **fournisseur de services autorisé** ni une conversion de cycle 50/60 ou 60/50, des dommages causés par un manquement à respecter les consignes du mode d'emploi en ce qui concerne les réglages ou l'entretien, les réglages effectués par le client qui ne sont pas couverts dans le mode d'emploi, une carrosserie brisée ou abîmée, un mauvais usage, la négligence, un accident, un incendie, une inondation ou d'autres actes naturels.

LA PRÉSENTE GARANTIE DEVIENDRA INVALIDE SI UN NUMÉRO DE SÉRIE FIGURANT SUR LE PRODUIT EST MODIFIÉ, REMPLACÉ, OBLITÉRÉ OU MANQUANT. LA PRÉSENTE GARANTIE S'APPLIQUE UNIQUEMENT AUX PRODUITS INTIRION ACHETÉS ET UTILISÉS AUX ÉTATS-UNIS ET AU CANADA, SAUF DANS LE CAS DES POSSESSIONS OU DES DOMINIONS DES ÉTATS-UNIS.

La présente garantie constitue la garantie complète d'INTIRION. Elle ne peut pas être changée ou modifiée par une personne, une agence, un distributeur, un détaillant ou une entreprise quelconque. INTIRION n'assume aucune responsabilité et, en fait, dénie expressément toute responsabilité pour des dommages consécutifs dépassant la réparation ou le remplacement du produit ou de ses composants.

La période de garantie commence à la date de la vente et une preuve de cette date, attestée par l'original d'une facture ou d'un reçu de vente, sera nécessaire pour présenter une réclamation au titre de la garantie.

DANBY ONEPLUG™ DE MICROFRIDGEMD, UN PRODUIT D'INTIRION™ CORPORATION  
2 Annette Rd Ste 3, Foxborough, MA 02035 1-800-637-7567 aux États-Unis  
PO Box 1778, Guelph, Ontario, Canada N1H 6Z9 1-800-263-2629 au Canada

**Pour votre protection en cas de vol ou de perte de l'appareil, remplissez les informations dans les espaces prévus à cet effet ci-dessous.**

N° de modèle \_\_\_\_\_  
(Localisé sur l'arrière et le mur juste intérieur)

N° DE SÉRIE \_\_\_\_\_  
(Localisé sur l'arrière et le mur juste intérieur)

Date d'achat \_\_\_\_\_

INTIRION CORP.  
2 Annette Road, Suite 3  
Foxborough, MA 02035  
1-800-637-7567

Imprimé en Chine





**Danby**  **ne**  
**PLUG**™

INTIRION CORP.  
2 Annette Road, Suite 3  
Foxborough, MA 02035  
1-800-637-7567

Printed in China  
Imprimé en Chine