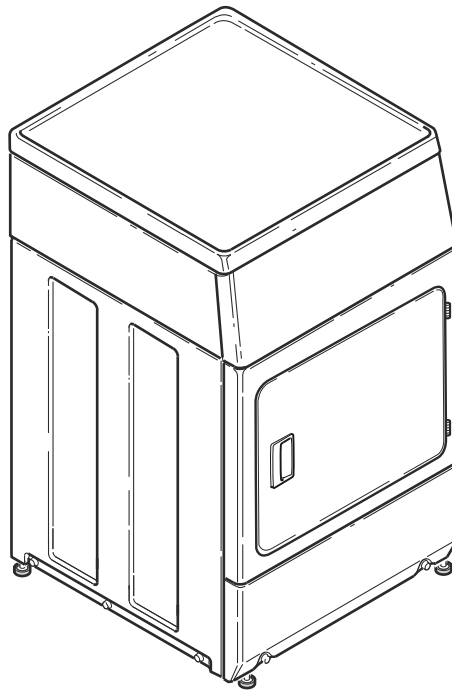


Commercial Dryers

Metered and Nonmetered
Models Starting Serial No. 2001000001

Refer to Page 3 for Model Numbers



DRY721C_D518057

Alliance[™]
Laundry Systems

www.alliancelandry.com

Part No. D518057R5
April 2024

Table of Contents

Title	Page
Parts Ordering Information.....	2
Serial Plate Location	2
Model Identification	3
Control and Control Panel - Rear Control Coin Drop Models	4
Control and Control Panel - Rear Control Card Ready Models	6
Network Board Assembly.....	8
Meter Case - Rear Control Coin Drop Models	10
Non-Electronic Coin Drop - Rear Control Coin Drop Models.....	12
Electronic Coin Drop - Rear Control Coin Drop Models.....	14
Cabinet Top - Rear Control Models	16
Control Panel and Controls - Coin Drop and Card Front Control Models (Drawing 1 of 2).....	18
Control Panel and Controls - Coin Drop and Card Front Control Models (Drawing 2 of 2).....	20
Control Cabinet Controls - Front Control Coin Drop Models.....	22
Non-Electronic Coin Drop - Front Control Models.....	24
Electronic Coin Drop - Front Control Models	26
Control Cabinet Controls - Front Control Card Ready Models.....	28
Cabinet Top - Front Control Models.....	30
Loading Door	32
Access Panel, Front Panel and Seal	34
Motor, Exhaust Fan and Belt	36
Front Bulkhead, Air Duct and Felt Seal.....	38
Cylinder Assembly	40
Rear Bulkhead, Felt Seal, Cylinder Roller and Terminal Block.....	42
Heater Duct and Element Assembly - Electric Model Dryers.....	44
Heater Duct Assembly - Gas Model Dryers	46
Gas Valve, Igniter and Gas Conversion Kits.....	48
Burner Orifice Spuds - For Higher Elevations.....	50
Cabinet, Exhaust Duct and Base	52
Power Cord (Drawing 1 of 2)	54
Power Cord (Drawing 2 of 2)	56
Terminal Block and Terminals (Drawing 1 of 2).....	58
Terminal Block and Terminals (Drawing 2 of 2).....	60
Terminals and Terminal Extractor Tools	62
Wire Harnesses and Wires - Front Control Models (Drawing 1 of 2).....	64
Wire Harnesses and Wires - Front Control Models (Drawing 2 of 2).....	66
Wire Harnesses and Wires - Rear Control Models	68
Sound Sensor	70
Label Location on Rear of Cabinet	72
Parts Index.....	75

© Copyright 2024, Alliance Laundry Systems LLC

All rights reserved. No part of the contents of this book may be reproduced or transmitted in any form or by any means without the expressed written consent of the publisher.

Parts Ordering Information

If literature or replacement parts are required, contact the source from whom the machine was purchased or contact Alliance Laundry Systems at (920) 748-3950 for the name and address of the nearest authorized parts distributor.

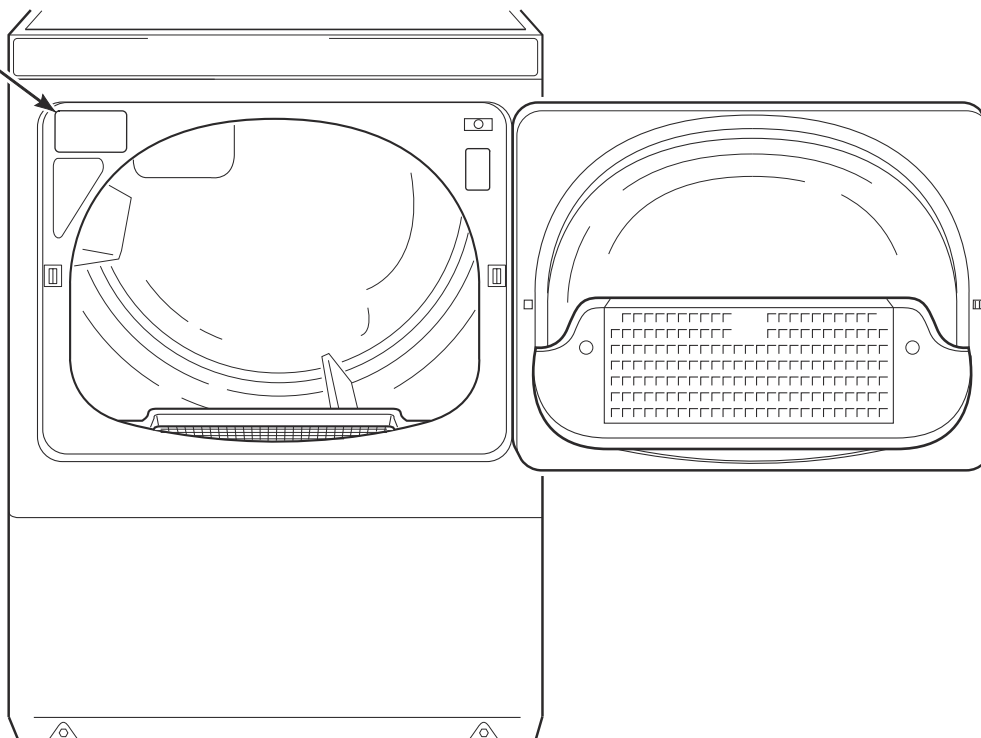
For technical assistance, call the number listed below:

(920) 748-3121 Ripon, Wisconsin

Serial Plate Location

When calling or writing about your product, be sure to mention model and serial numbers. Model and serial numbers are located on serial plate(s) as shown.

SERIAL PLATE



DRY2283P_D518057

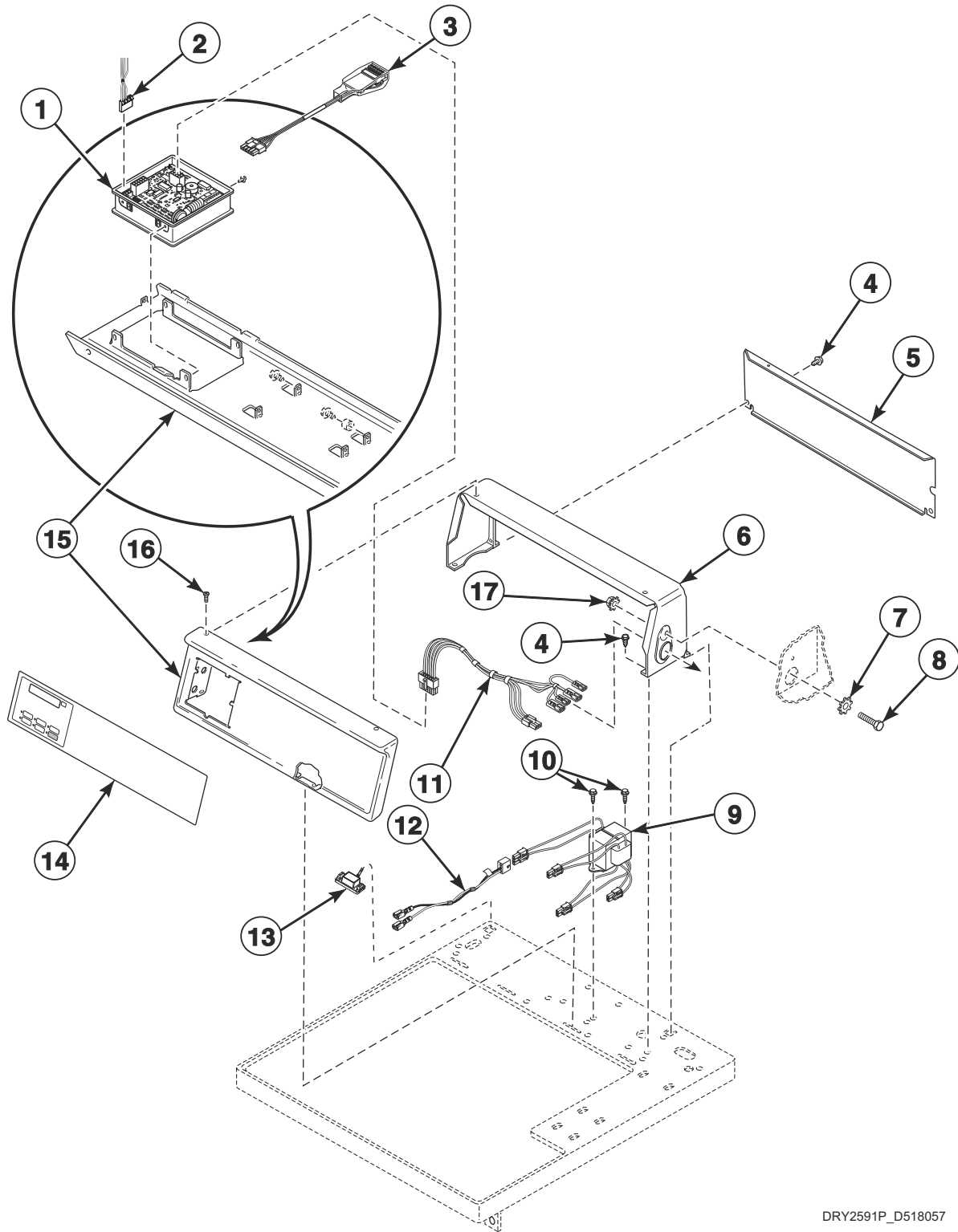
Model Identification

Information in this manual is applicable to these dryer models:

NDENXAGS543MW01	SDGNCAGS113TW01
NDLNXAGS123MW01	SDGNCAGS116TW01
SDENCAGS173TW01	SDGNCAGS116TWSS
SDENCAGS176TW01	SDGNCRGS113TW01
SDENCAGS176TWSS	SDGNCRGS116TW01
SDENCRGS153TW01	SDGNCRGS116TWSS
SDENCRGS173TW01	SDGNXRGs113TW01
SDENCRGS176TW01	SDGNXRGs116TW01
SDENCRGS176TWSS	SDGNYAGS113TW01
SDENXAGS543MW01	SDGNYAGS116TW01
SDENXRGs173TW01	SDGNYAGS116TWSS
SDENXRGs176TW01	SDGNYRGs113TW01
SDENYAGS153TW01	SDGNYRGs116TW01
SDENYAGS173TW01	SDGNYRGs116TWSS
SDENYAGS176TW01	SDGWCAGS113TW41
SDENYAGS176TWSS	SDGWCRGS113TW42
SDENYRGs153TW01	SDGWXAGS113TW01
SDENYRGs173TW01	SDGWXRGs113TW02
SDENYRGs176TW01	SDGWYAGS113TW01
SDENYRGs176TWSS	SDGWYAGS113TW41
SDEWCAGS173TW41	SDGWYRGs113TW01
SDEWCRGS153TW42	SDGWYRGs113TW41
SDEWCRGS173TW42	SDLNXAGS123MW01
SDEWXAGS173TW01	
SDEWYAGS153TW01	
SDEWYAGS153TW41	
SDEWYAGS173TW01	
SDEWYAGS173TW41	
SDEWYRGs153TW01	
SDEWYRGs153TW41	
SDEWYRGs173TW01	
SDEWYRGs173TW41	

Control and Control Panel - Rear Control Coin Drop Models

Models SDENCAGS176TW01, SDENCAGS176TWSS, SDENCRGS153TW01, SDENCRGS173TW01, SDENCRGS176TW01, SDENCRGS176TWSS, SDENXRGS173TW01, SDENXRGS176TW01, SDEWCRGS153TW42, SDEWCRGS173TW42, SDGNCAGS116TW01, SDGNCAGS116TWSS, SDGNCRGS113TW01, SDGNCRGS116TW01, SDGNCRGS116TWSS, SDGNXRGS113TW01, SDGNXRGS116TW01, SDGWCRGS113TW42 and SDGWXRGS113TW02



Control and Control Panel - Rear Control Coin Drop Models

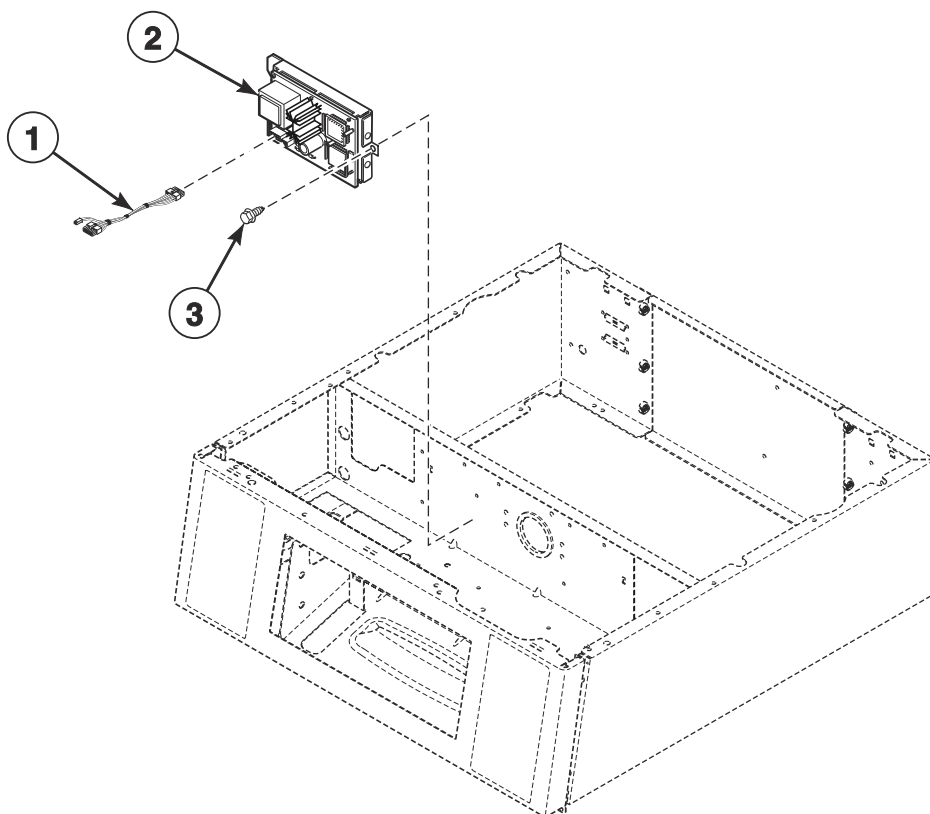
REF	PART NO.	DESCRIPTION	COMMENTS
	203328	Network Retrofit Kit	Wired; Models SDENCRGS153TW01, SDEWCRGS153TW42, SDEWCRGS173TW42, SDGWCRGS113TW42 and SDGWXRGS113TW02
	204689	Wireless Network Kit	
	203346	USB IR Interface Kit	Models SDENCRGS153TW01, SDEWCRGS153TW42, SDEWCRGS173TW42, SDGWCRGS113TW42 and SDGWXRGS113TW02
	NK220	Network Controller Kit	Wired; Models SDENCRGS153TW01, SDEWCRGS153TW42, SDEWCRGS173TW42, SDGWCRGS113TW42 and SDGWXRGS113TW02
	NK320	Ethernet Gateway Kit	Wireless; Models SDENCRGS153TW01, SDEWCRGS153TW42, SDEWCRGS173TW42, SDGWCRGS113TW42 and SDGWXRGS113TW02
	NK330	USB Gateway Kit	Wireless; Models SDENCRGS153TW01, SDEWCRGS153TW42, SDEWCRGS173TW42, SDGWCRGS113TW42 and SDGWXRGS113TW02
	905P3	Security Kit	Secures front panel to rear panel
1	D518647	Control Assembly	Models SDENCRGS176TW01, SDENCRGS176TWSS, SDENXRGS176TW01, SDGNCRGS116TW01, SDGNCRGS116TWSS and SDGNXRGS116TW01
	D517522	Control Assembly	All other models
2	D511478	Central Pay Harness	
3	203361P	Machine ID Control Assembly	Model or serial number is required when ordering
4	804608	Screw	
5	804886	Hood Back Panel	
6	D502567 W	Control Hood	
7	M400017	Washer	
8	02916	Screw	
9	202757	Transformer	Models SDENCRGS176TW01, SDENXRGS173TW01, SDENXRGS176TW01, SDGNCRGS116TW01, SDGNXRGS113TW01, SDGNXRGS116TW01 and SDGWXRGS113TW02
10	D503688	Screw	Models SDENXRGS173TW01, SDENXRGS176TW01, SDGNXRGS113TW01, SDGNXRGS116TW01 and SDGWXRGS113TW02
11	202870	Single Coin Harness Assembly	Models SDENCRGS153TW01, SDENCRGS173TW01, SDEWCRGS153TW42, SDEWCRGS173TW42, SDGNCRGS113TW01 and SDGWCRGS113TW42
	204914	Single Coin Harness Assembly	Models SDENCAGS176TW01, SDENCAGS176TWSS, SDENCRGS176TW01, SDENCRGS176TWSS, SDGNCRGS116TW01, SDGNCRGS116TWSS, SDGNCRGS116TW01 and SDGNCRGS116TWSS
	202871	Dual Coin Harness Assembly	Models SDENXRGS173TW01, SDENXRGS176TW01, SDGNXRGS113TW01, SDGNXRGS116TW01 and SDGWXRGS113TW02
12	D514073	Transformer Harness	Models SDENCRGS176TW01, SDENCRGS176TWSS, SDENXRGS173TW01 and SDENXRGS176TW01
	804832	Harness	Models SDGNCRGS116TW01, SDGNCRGS116TWSS, SDGNXRGS113TW01, SDGNXRGS116TW01 and SDGWXRGS113TW02
13	D518898	Power Supply Assembly	Models SDENCAGS176TWSS, SDENCRGS176TWSS, SDGNCRGS116TWSS and SDGNCRGS116TWSS
14	D518077	Control Overlay	Models SDENCRGS176TW01, SDENCRGS176TWSS, SDENXRGS176TW01, SDGNCRGS116TW01, SDGNCRGS116TWSS and SDGNXRGS116TW01
	D514367	Control Overlay	All other models
15	807812W	Control Panel	Models SDENCRGS176TW01, SDENCRGS176TWSS, SDENXRGS176TW01, SDGNCRGS116TW01, SDGNCRGS116TWSS and SDGNXRGS116TW01
	D510067 W	Control Panel	All other models
16	52864	Screw	Phillips head
	35528	Screw	Torx head
17	52566	Nut	

Control and Control Panel - Rear Control Card Ready Models

REF	PART NO.	DESCRIPTION	COMMENTS
	203328	Network Retrofit Kit	Wired; Models SDENYRGS153TW01, SDEWYRGS153TW01, SDEWYRGS153TW41, SDEWYRGS173TW01, SDEWYRGS173TW41, SDGWYRGS113TW01 and SDGWYRGS113TW41
	203346	USB IR Interface Kit	Models SDENYRGS153TW01, SDEWYRGS153TW01, SDEWYRGS153TW41, SDEWYRGS173TW01, SDEWYRGS173TW41, SDGWYRGS113TW01 and SDGWYRGS113TW41
	NK220	Network Controller Kit	Wired; Models SDENYRGS153TW01, SDEWYRGS153TW01, SDEWYRGS153TW41, SDEWYRGS173TW01, SDEWYRGS173TW41, SDGWYRGS113TW01 and SDGWYRGS113TW41
	NK320	Ethernet Gateway Kit	Wireless; Models SDENYRGS153TW01, SDEWYRGS153TW01, SDEWYRGS153TW41, SDEWYRGS173TW01, SDEWYRGS173TW41, SDGWYRGS113TW01 and SDGWYRGS113TW41
	NK330	USB Gateway Kit	Wireless; Models SDENYRGS153TW01, SDEWYRGS153TW01, SDEWYRGS153TW41, SDEWYRGS173TW01, SDEWYRGS173TW41, SDGWYRGS113TW01 and SDGWYRGS113TW41
1	202869	Wiring Harness Assembly	
2	D518647	Control Assembly	Models SDENYRGS176TW01, SDENYRGS176TWSS, SDGNYRGS116TW01 and SDGNYRGS116TWSS
	D517522	Control Assembly	All other models
3	F8674006	Wireless Network Harness	Models SDEWYRGS153TW01, SDEWYRGS153TW41, SDEWYRGS173TW01, SDEWYRGS173TW41, SDGWYRGS113TW01 and SDGWYRGS113TW41
4	203361P	Machine ID Control Assembly	Model or serial number is required when ordering
5	804608	Screw	Models SDEWYRGS153TW01, SDEWYRGS153TW41, SDEWYRGS173TW01, SDEWYRGS173TW41, SDGWYRGS113TW01 and SDGWYRGS113TW41
6	204689	Wireless Network Kit	Models SDEWYRGS153TW01, SDEWYRGS153TW41, SDEWYRGS173TW01, SDEWYRGS173TW41, SDGWYRGS113TW01 and SDGWYRGS113TW41
7	D501086	Screw	
8	804884	Rear Panel	
9	D511253W	Control Hood	
10	202757	Transformer	
11	D503688	Screw	
12	210108W	End Cap	Right
13	D514073	Transformer Harness	Models SDENYRGS153TW01, SDENYRGS173TW01, SDEWYRGS153TW01, SDEWYRGS153TW41, SDEWYRGS173TW01 and SDEWYRGS173TW41
	804832	Harness	Models SDENYRGS176TWSS, SDGNYRGS113TW01, SDGNYRGS116TW01, SDGNYRGS116TWSS, SDGWYRGS113TW01 and SDGWYRGS113TW41
14	D518898	Power Supply Assembly	
15	D511055W	Control Panel	Models SDENYRGS153TW01, SDENYRGS173TW01 and SDGNYRGS113TW01
	D510220W	Control Panel	Models SDEWYRGS153TW01, SDEWYRGS153TW41, SDEWYRGS173TW01, SDEWYRGS173TW41, SDGWYRGS113TW01 and SDGWYRGS113TW41
	807774W	Control Panel	Models SDENYRGS176TW01, SDENYRGS176TWSS, SDGNYRGS116TW01 and SDGNYRGS116TWSS
16	D518078	Control Overlay	Models SDENYRGS176TW01, SDENYRGS176TWSS, SDGNYRGS116TW01 and SDGNYRGS116TWSS
	D514368	Control Overlay	All other models
17	210109W	End Cap	Left
18	52864	Screw	Phillips head
	35528	Screw	Torx head

Network Board Assembly

Models SDENCAGS176TW01, SDENCAGS176TWSS, SDENCRGS176TW01, SDENCRGS176TWSS, SDENXRGs176TW01, SDENYAGS176TW01, SDENYAGS176TWSS, SDENYRGs176TW01, SDENYRGs176TWSS, SDGNCAGS116TW01, SDGNCAGS116TWSS, SDGNCRGS116TW01, SDGNCRGS116TWSS, SDGNXRGs116TW01, SDGNYAGS116TW01, SDGNYAGS116TWSS, SDGNYRGs116TW01 and SDGNYRGs116TWSS



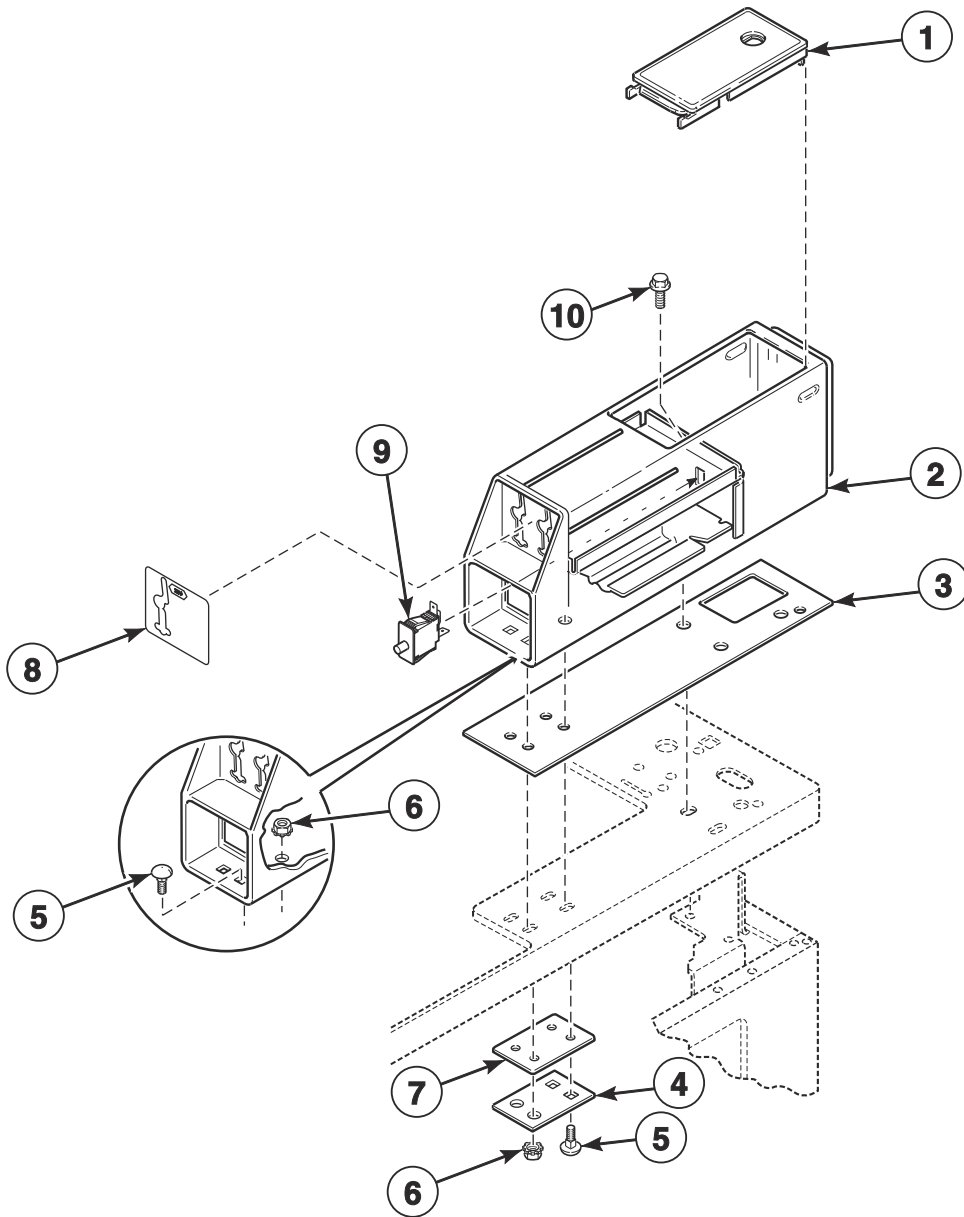
FLW1813P_D518057

Network Board Assembly

REF	PART NO.	DESCRIPTION	COMMENTS
	205256	USB-NFC Interface Kit	
1	F8713906	Serial Pay Harness	
2	807714	Serial Pay Control Assembly	
3	D503661	Screw	

Meter Case - Rear Control Coin Drop Models

Models SDENCRGS153TW01, SDENCRGS173TW01, SDENCRGS176TW01, SDENCRGS176TWSS, SDENXRG173TW01, SDENXRG176TW01, SDEWCRGS153TW42, SDEWCRGS173TW42, SDGNCRGS113TW01, SDGNCRGS116TW01, SDGNCRGS116TWSS, SDGNXRG113TW01, SDGNXRG116TW01, SDGWCRGS113TW42 and SDGWXRG113TW02



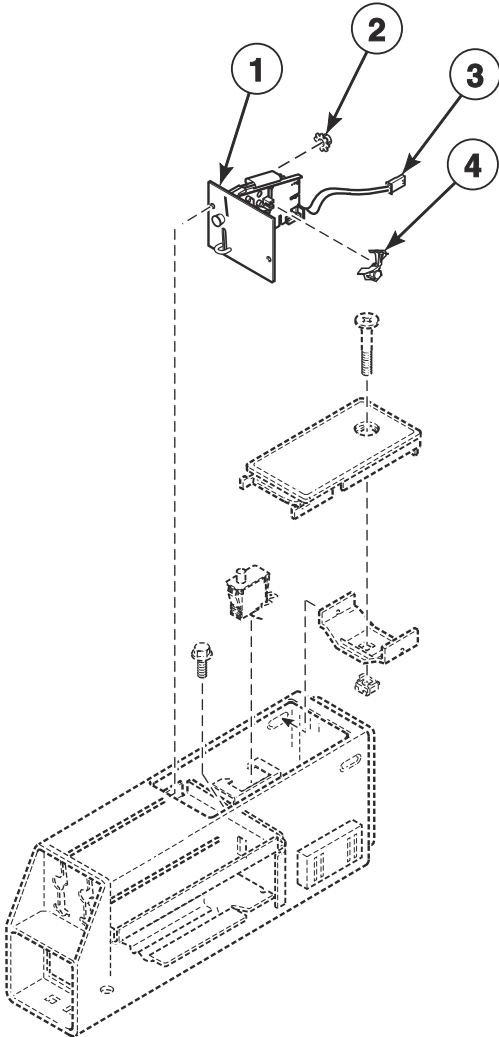
DRY2529P_D518057

Meter Case - Rear Control Coin Drop Models

REF	PART NO.	DESCRIPTION	COMMENTS
1	39874WP	Service Door Assembly	White
2	807401W	Meter Case Assembly Kit	High capacity
	803578P	Coin Box Extension Kit	Use with high capacity meter case to extend shorter 7 inch coin boxes
	202877W	Meter Case Assembly	Standard capacity
3	26354	Meter Case Gasket	
4	35525	Meter Case Lockdown Bracket	
5	203798	Bolt	Through 11/21/22
	2916	Screw	Starting 11/22/22
6	29786	Nut	Through 11/21/22
	44087101	Nut	Starting 11/22/22
	M400017	Washer	Starting 11/22/22
7	35526	Meter Case Bracket Gasket	
8	38717	Single Overlay	
9	70529301	Switch	
10	36048	Screw	

Non-Electronic Coin Drop - Rear Control Coin Drop Models

Models SDENCRGS153TW01, SDENCRGS173TW01, SDENCRGS176TW01, SDENCRGS176TWSS, SDENXRG173TW01, SDENXRG176TW01, SDEWCRGS153TW42, SDEWCRGS173TW42, SDGNCRGS113TW01, SDGNCRGS116TW01, SDGNCRGS116TWSS, SDGNXRG113TW01, SDGNXRG116TW01, SDGWCRGS113TW42 and SDGWXRG113TW02



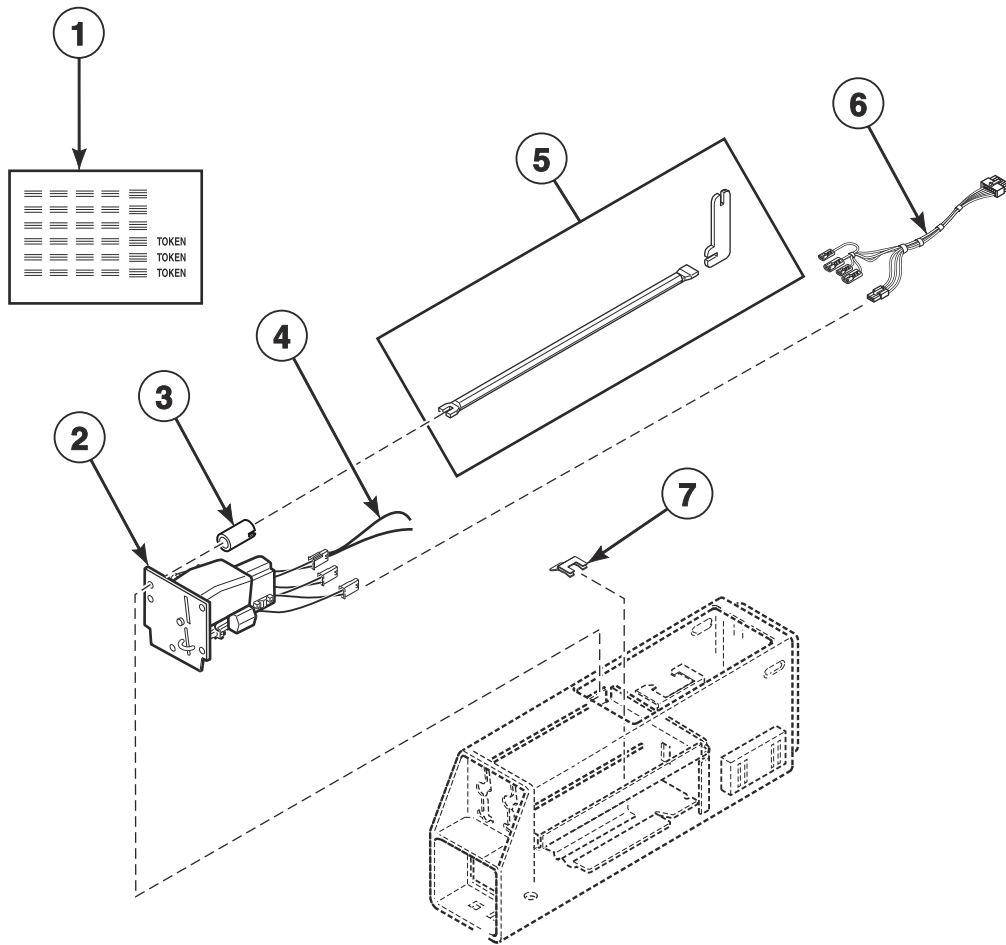
DRY2170P_D518057

Non-Electronic Coin Drop - Rear Control Coin Drop Models

REF	PART NO.	DESCRIPTION	COMMENTS
1	38462P	Coin Drop Assembly	Token; 118-1 mzp
	38463	Coin Drop Assembly	Token; 118-5 mzp
	70441601P	Coin Drop	U.S.; \$.25
	38963P	Coin Drop	Token 118-16 not available; Replacement for 38963P Coin Drop only
2	29786	Nut	
3	200674P	Opto Coupler	
4	201595P	Wire Guard	Anti-stringing security device

Electronic Coin Drop - Rear Control Coin Drop Models

Models SDENCRGS153TW01, SDENCRGS173TW01, SDENCRGS176TW01, SDENCRGS176TWSS, SDENXRGs173TW01, SDENXRGs176TW01, SDEWCRGS153TW42, SDEWCRGS173TW42, SDGNCRGS113TW01, SDGNCRGS116TW01, SDGNCRGS116TWSS, SDGNXRGs113TW01, SDGNXRGs116TW01, SDGWCRGS113TW42 and SDGWXRGs113TW02



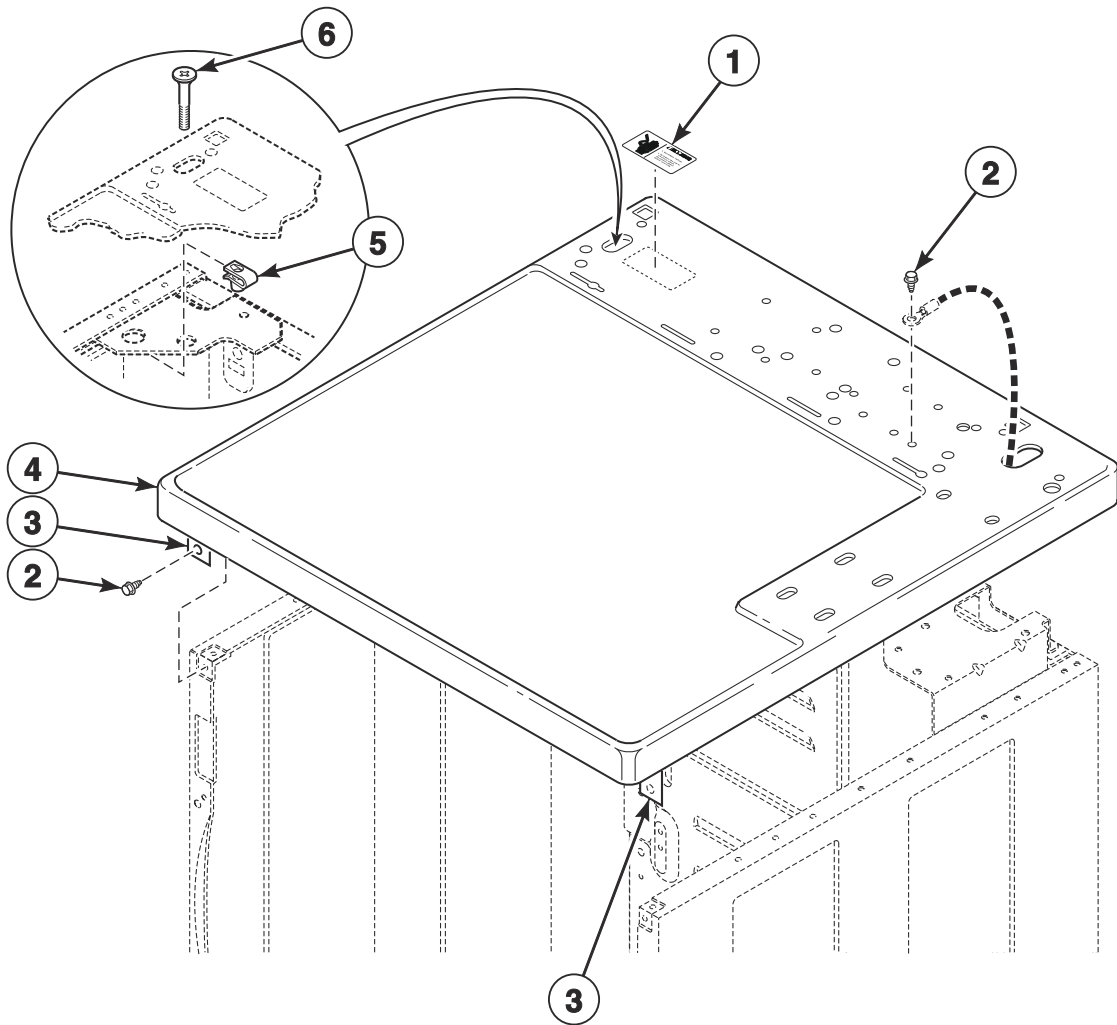
DRY2368P_D518057

Electronic Coin Drop - Rear Control Coin Drop Models

REF	PART NO.	DESCRIPTION	COMMENTS
1	38725	Coin Identification Paper	For use with item 2
2	CK113	Electronic Coin Drop Kit	Japan and Taiwan coins
	CK115	Electronic Coin Drop Kit	United States and Canada coins
3	201216	Nut	For use with item 2
4	201104	Coin Drop Wire Harness	For use with item 2
5	CK096	Mounting Tool Kit	For use with item 2
6	802905	Harness Assembly	If adding electronic coin drop this harness must be used; Models SDENCRGS153TW01, SDENCRGS173TW01, SDEWCRGS153TW42, SDEWCRGS173TW42, SDGNCRGS113TW01 and SDGWCRGS113TW42
	204914	Single Coin Harness Assembly	If adding electronic coin drop this harness must be used; Models SDENCRGS176TW01, SDENCRGS176TWSS, SDGNCRGS116TW01 and SDGNCRGS116TWSS
	204915	Dual Coin Harness Assembly	If adding electronic coin drop this harness must be used; Models SDENXRGS176TW01 and SDGNXRGS116TW01
7	201572	Clip	For use with item 2

Cabinet Top - Rear Control Models

Models SDENCRGS153TW01, SDENCRGS173TW01, SDENCRGS176TW01, SDENCRGS176TWSS, SDENXRG173TW01, SDENXRG176TW01, SDENYRG153TW01, SDENYRG173TW01, SDENYRG176TW01, SDENYRG176TWSS, SDEWCRGS153TW42, SDEWCRGS173TW42, SDEWYRG153TW01, SDEWYRG153TW41, SDEWYRG173TW01, SDEWYRG173TW41, SDGNCRGS113TW01, SDGNCRGS116TW01, SDGNCRGS116TWSS, SDGNXRG113TW01, SDGNXRG116TW01, SDGNYRG113TW01, SDGNYRG116TW01, SDGNYRG116TWSS, SDGWCRGS113TW42, SDGWXRG113TW02, SDGWYRG113TW01 and SDGWYRG113TW41



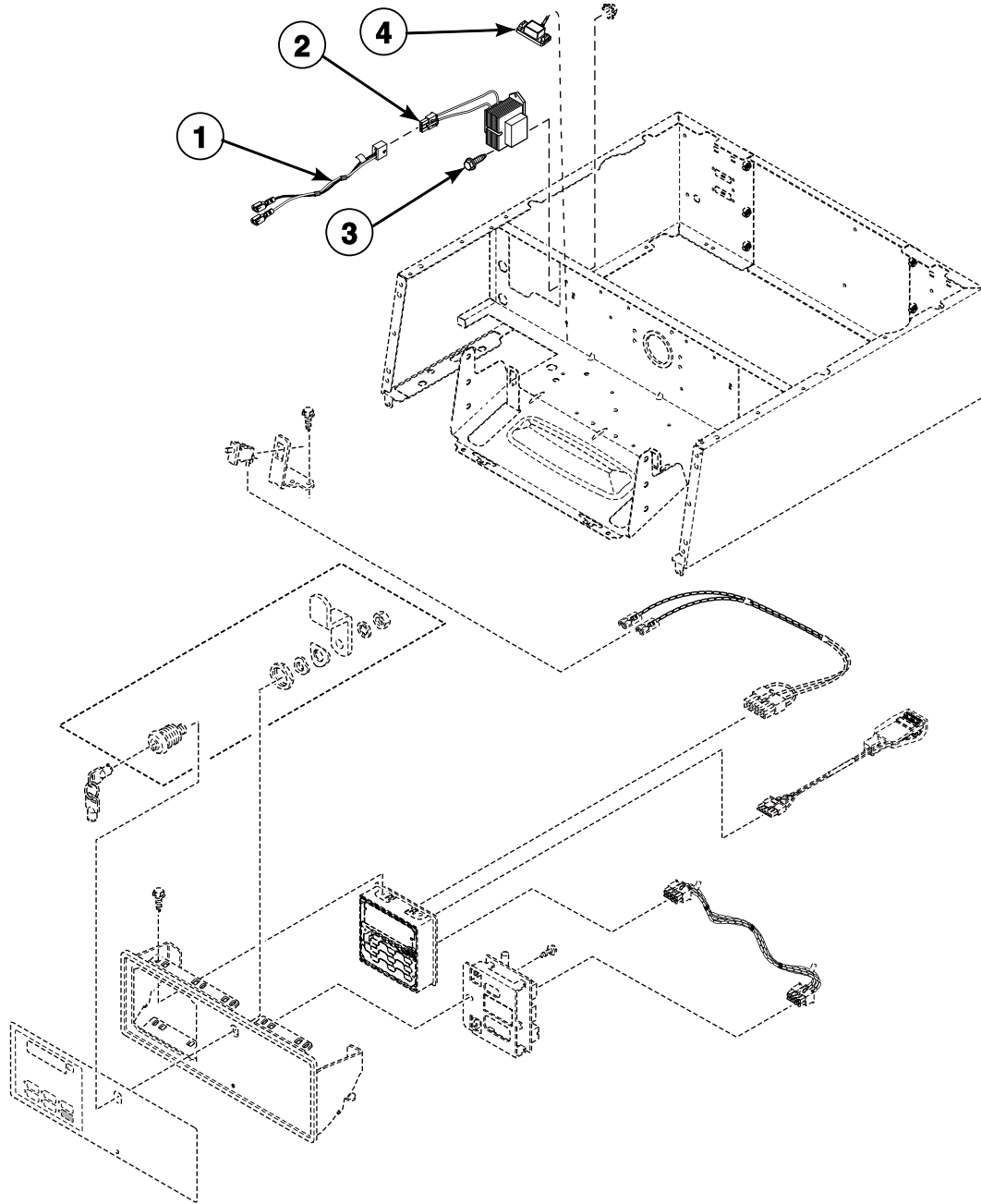
DRY1894P_D518057

Cabinet Top - Rear Control Models

REF	PART NO.	DESCRIPTION	COMMENTS
1	D500316	Warning Label	English/French; Model SDENYRGS173TW01
	D505281	Disconnect Power Warning Label	All other models
2	D503688	Screw	
3	D510146	Bracket	
4	D511530WP	Top Panel Kit	White; Includes item 3; Models SDENYRGS153TW01, SDENYRGS173TW01, SDENYRGS176TW01, SDENYRGS176TWSS, SDEWYRGS153TW01, SDEWYRGS153TW41, SDEWYRGS173TW01, SDEWYRGS173TW41, SDGNYRGS113TW01, SDGNYRGS116TW01, SDGNYRGS116TWSS, SDGWYRGS113TW01 and SDGWYRGS113TW41
	D511527WP	Top Kit	White; Includes item 3; All other models
5	27222	Nut	
6	D503673	Screw	

Control Panel and Controls - Coin Drop and Card Front Control Models (Drawing 1 of 2)

Models NDENXAGS543MW01, NDLNXAGS123MW01, SDENCAGS173TW01, SDENCAGS176TW01, SDENCAGS176TWSS, SDENXAGS543MW01, SDENYAGS153TW01, SDENYAGS173TW01, SDENYAGS176TW01, SDENYAGS176TWSS, SDEWCAGS173TW41, SDEWXAGS173TW01, SDEWYAGS153TW01, SDEWYAGS153TW41, SDEWYAGS173TW01, SDEWYAGS173TW41, SDGNCAGS113TW01, SDGNCAGS116TW01, SDGNCAGS116TWSS, SDGNYAGS113TW01, SDGNYAGS116TW01, SDGNYAGS116TWSS, SDGWCAGS113TW41, SDGWXAGS113TW01, SDGWYAGS113TW01, SDGWYAGS113TW41 and SDLNXAGS123MW01



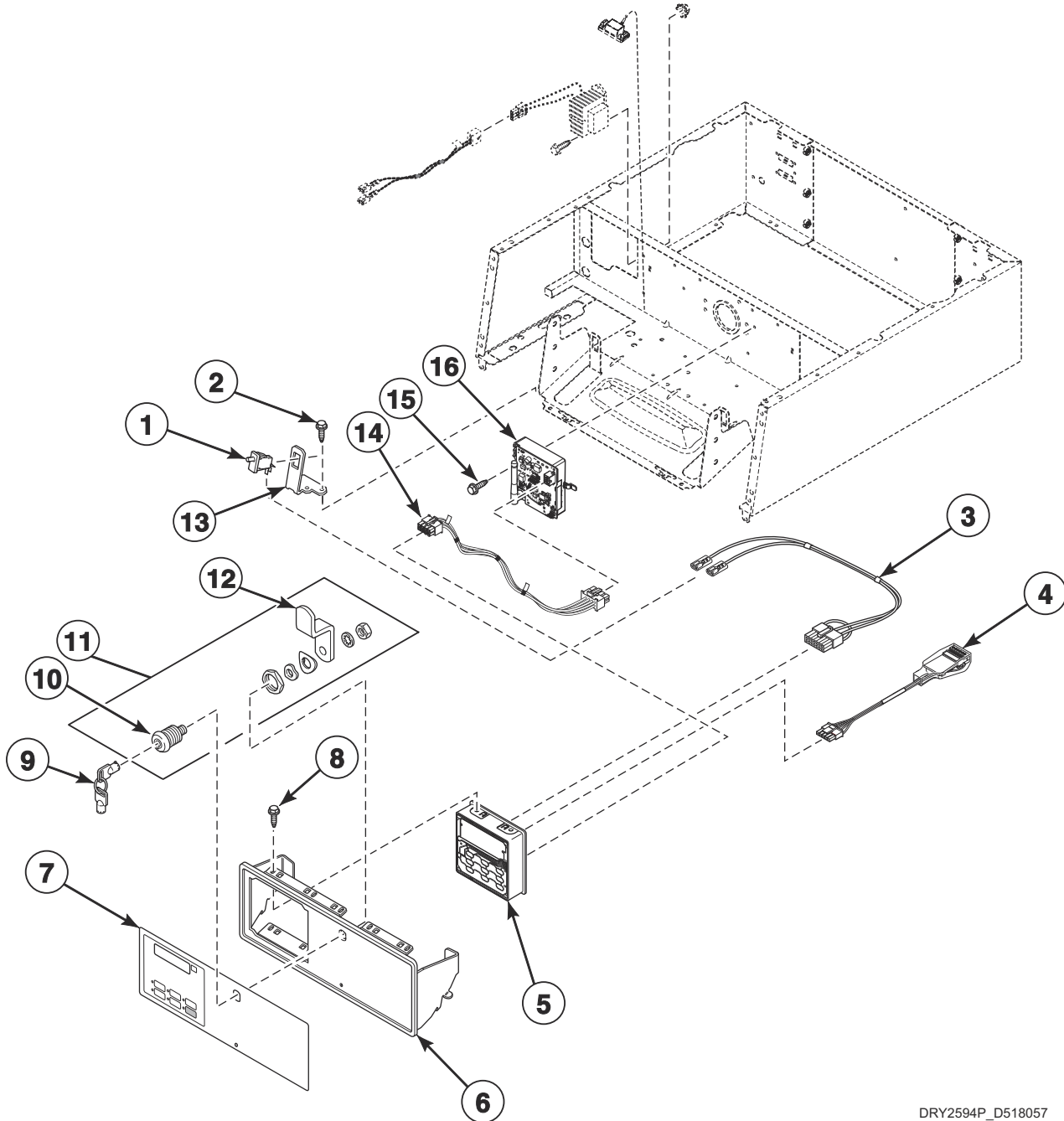
DRY2593P_D518057

Control Panel and Controls - Coin Drop and Card Front Control Models (Drawing 1 of 2)

REF	PART NO.	DESCRIPTION	COMMENTS
	203328	Network Retrofit Kit	Wired; All models except SDENCAGS173TW01, SDENCAGS176TW01, SDENYAGS173TW01, SDENYAGS176TW01, SDGNCAGS113TW01, SDGNCAGS116TW01, SDGNYAGS113TW01 and SDGNYAGS116TW01
	203346	USB IR Interface Kit	All models except SDENCAGS173TW01, SDENCAGS176TW01, SDENYAGS173TW01, SDENYAGS176TW01, SDGNCAGS113TW01, SDGNCAGS116TW01, SDGNYAGS113TW01 and SDGNYAGS116TW01
	NK220	Network Controller Kit	Wired; All models except SDENCAGS173TW01, SDENCAGS176TW01, SDENYAGS173TW01, SDENYAGS176TW01, SDGNCAGS113TW01, SDGNCAGS116TW01, SDGNYAGS113TW01 and SDGNYAGS116TW01
	NK320	Ethernet Gateway Kit	Wireless; All models except SDENCAGS173TW01, SDENCAGS176TW01, SDENYAGS173TW01, SDENYAGS176TW01, SDGNCAGS113TW01, SDGNCAGS116TW01, SDGNYAGS113TW01 and SDGNYAGS116TW01
	NK330	USB Gateway Kit	Wireless; All models except SDENCAGS173TW01, SDENCAGS176TW01, SDENYAGS173TW01, SDENYAGS176TW01, SDGNCAGS113TW01, SDGNCAGS116TW01, SDGNYAGS113TW01 and SDGNYAGS116TW01
1	D514072	Transformer Harness	Electric models
	804795	Transformer Harness	Gas models
2	202757	Transformer	
3	D503688	Screw	
4	D518898	Power Supply Assembly	Models SDENCAGS176TWSS, SDENYAGS176TWSS, SDGNCAGS116TWSS and SDGNYAGS116TWSS

Control Panel and Controls - Coin Drop and Card Front Control Models (Drawing 2 of 2)

Models NDENXAGS543MW01, NDLNXAGS123MW01, SDENCAGS173TW01, SDENCAGS176TW01, SDENCAGS176TWSS, SDENXAGS543MW01, SDENYAGS153TW01, SDENYAGS173TW01, SDENYAGS176TW01, SDENYAGS176TWSS, SDEWCAGS173TW41, SDEWXAGS173TW01, SDEWYAGS153TW01, SDEWYAGS153TW41, SDEWYAGS173TW01, SDEWYAGS173TW41, SDGNCAGS113TW01, SDGNCAGS116TW01, SDGNCAGS116TWSS, SDGNYAGS113TW01, SDGNYAGS116TW01, SDGNYAGS116TWSS, SDGWCAGS113TW41, SDGWXAGS113TW01, SDGWYAGS113TW01, SDGWYAGS113TW41 and SDLNXAGS123MW01



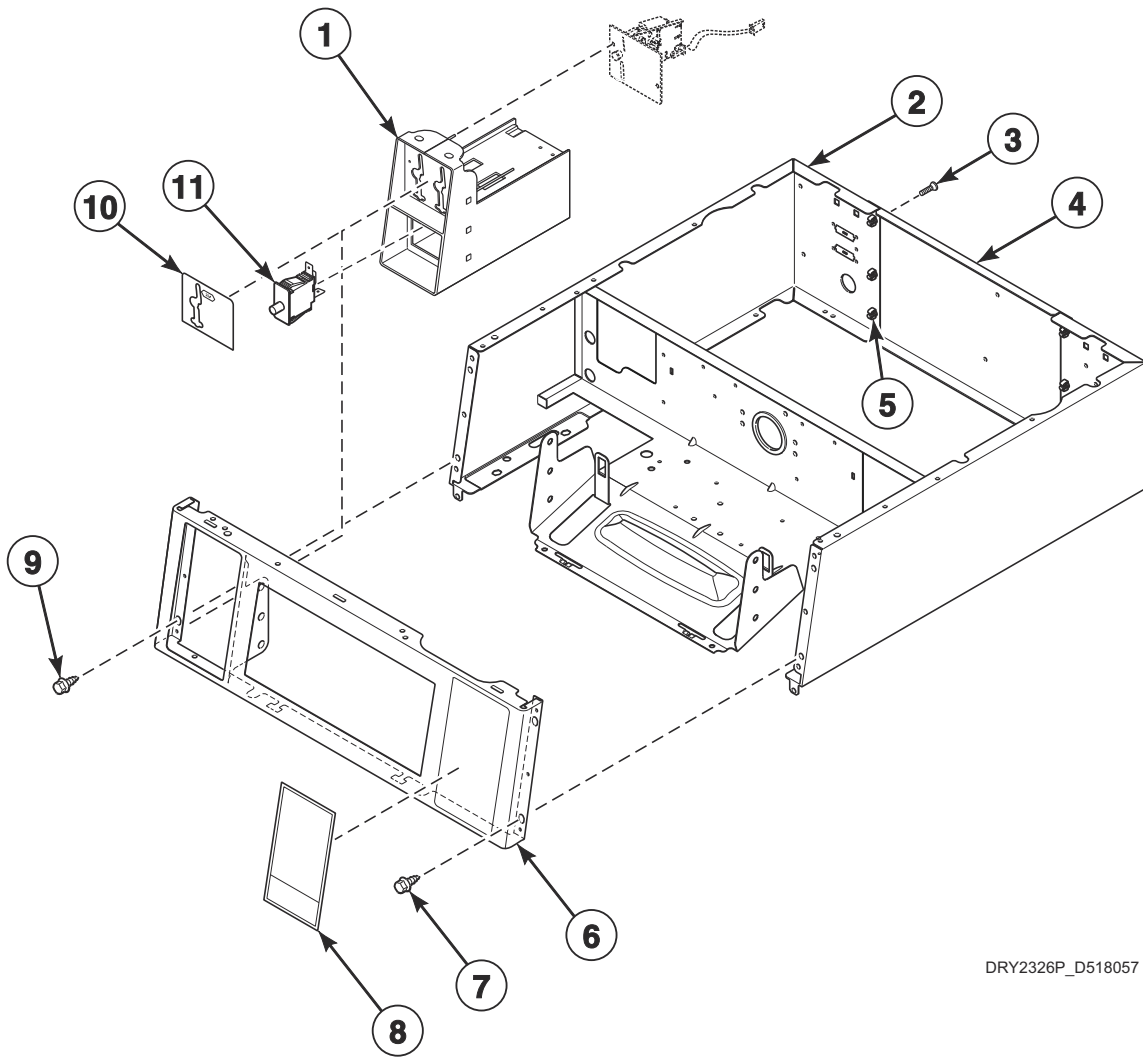
DRY2594P_D518057

Control Panel and Controls - Coin Drop and Card Front Control Models (Drawing 2 of 2)

REF	PART NO.	DESCRIPTION	COMMENTS
1	D512973	Switch	
2	D503688	Screw	
3	202868	Wiring Harness Assembly	Models NDENXAGS543MW01, SDENYAGS153TW01, SDENYAGS173TW01, SDENYAGS176TW01, SDEWYAGS153TW01, SDEWYAGS153TW41, SDEWYAGS173TW01, SDEWYAGS173TW41, SDGNYAGS113TW01, SDGNYAGS116TW01, SDGWYAGS113TW01 and SDGWYAGS113TW41
4	203361P	Machine ID Control Assembly	Model or serial number is required when ordering
5	D518647	Control Assembly	Models SDENCAGS176TW01, SDENCAGS176TWSS, SDENYAGS176TW01, SDENYAGS176TWSS, SDGNCAGS116TW01, SDGNCAGS116TWSS, SDGNYAGS116TW01 and SDGNYAGS116TWSS
	D517522	Control Assembly	All other models
6	807641W	Control Panel and Bracket Assembly	Models SDENCAGS176TW01, SDENCAGS176TWSS, SDENYAGS176TW01, SDENYAGS176TWSS, SDGNCAGS116TW01, SDGNCAGS116TWSS, SDGNYAGS116TW01 and SDGNYAGS116TWSS
	D513777W	Control Panel and Bracket Assembly	White; All other models
7	D518059	Control Overlay	Models SDENCAGS176TW01, SDENCAGS176TWSS, SDENYAGS176TW01, SDENYAGS176TWSS, SDGNCAGS116TW01, SDGNCAGS116TWSS, SDGNYAGS116TW01 and SDGNYAGS116TWSS
	D518405	Control Overlay	Models NDENXAGS543MW01 and NDNLXAGS123MW01
	D514480	Control Overlay	Models SDENXAGS543MW01 and SDLNXAGS123MW01
	D514369	Control Overlay	All other models
8	D501524	Screw	
9	54612	Key	800
10	807761	Lock Assembly	Models SDENCAGS176TW01, SDENYAGS176TW01, SDGNCAGS116TW01 and SDGNYAGS116TW01
11	27260P	Lock Kit	
12	807760	Lock Cam	Models SDENCAGS176TW01, SDENCAGS176TWSS, SDENYAGS176TW01, SDENYAGS176TWSS, SDGNCAGS116TW01, SDGNCAGS116TWSS, SDGNYAGS116TW01 and SDGNYAGS116TWSS
	804338	Lock Cam	All other models
13	800379	Audit Switch Bracket	
14	F8674006	Wireless Network Harness	Models SDEWCAGS173TW41, SDEWXAGS173TW01, SDEWYAGS153TW01, SDEWYAGS153TW41, SDEWYAGS173TW01, SDEWYAGS173TW41, SDGWCAGS113TW41, SDGWXAGS113TW01, SDGWYAGS113TW01 and SDGWYAGS113TW41
15	804608	Screw	Models SDEWYAGS153TW01, SDEWYAGS173TW01 and SDGWYAGS113TW01
16	204689	Wireless Network Kit	Models SDEWCAGS173TW41, SDEWXAGS173TW01, SDEWYAGS153TW01, SDEWYAGS153TW41, SDEWYAGS173TW01, SDEWYAGS173TW41, SDGWCAGS113TW41, SDGWXAGS113TW01, SDGWYAGS113TW01 and SDGWYAGS113TW41

Control Cabinet Controls - Front Control Coin Drop Models

Models NDENXAGS543MW01, NDLNXAGS123MW01, SDENCAGS173TW01, SDENCAGS176TW01, SDENCAGS176TWSS, SDENXAGS543MW01, SDEWCAGS173TW41, SDEWXAGS173TW01, SDGNCAGS113TW01, SDGNCAGS116TW01, SDGNCAGS116TWSS, SDGWCAGS113TW41, SDGWXAGS113TW01 and SDLNXAGS123MW01



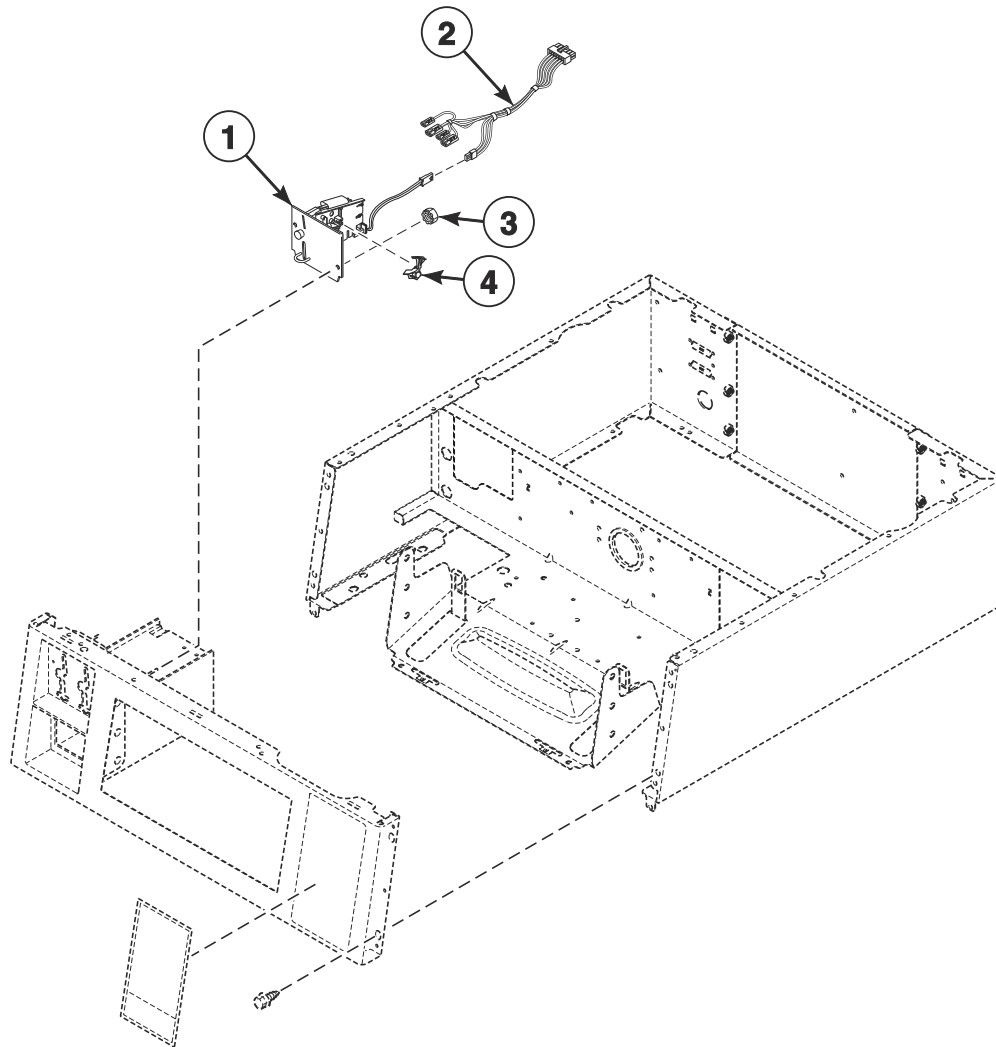
DRY2326P_D518057

Control Cabinet Controls - Front Control Coin Drop Models

REF	PART NO.	DESCRIPTION	COMMENTS
	44087201	Nut	2 required; Use with item 9
1	807396W	Meter Case Assembly	
2	804104W	Wrapper Assembly	
3	70240301	Screw	6 required
4	807646	Rear Access Panel	
5	70030501	Expansion Clip	6 required
6	803962WP	Control Panel	
7	D503688	Screw	
8	D518482	Operating Instructions Label	Models SDENCAGS176TW01, SDENCAGS176TWSS, SDGNCAGS116TW01 and SDGNCAGS116TWSS
	D514393	Operating Instructions Label	All other models
9	29651	Bolt	2 required
10	38717	Single Overlay	
11	70529301	Switch	

Non-Electronic Coin Drop - Front Control Models

Models SDENCAGS173TW01, SDENCAGS176TW01, SDENCAGS176TWSS, SDEWCAGS173TW41, SDEWXAGS173TW01, SDGNCAGS113TW01, SDGNCAGS116TW01, SDGNCAGS116TWSS, SDGWCAGS113TW41 and SDGWXAGS113TW01



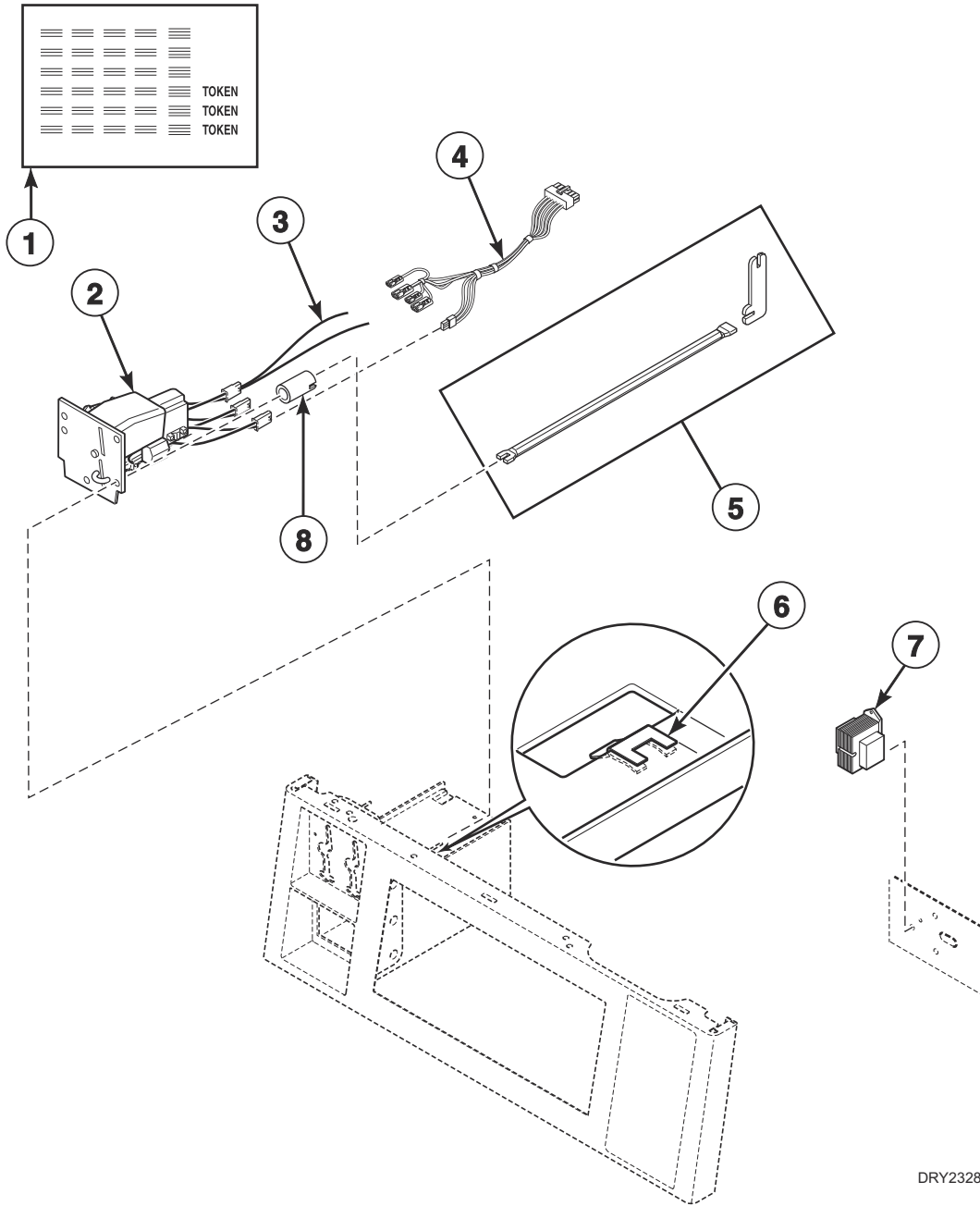
DRY2327P_D518057

Non-Electronic Coin Drop - Front Control Models

REF	PART NO.	DESCRIPTION	COMMENTS
1	38462P	Coin Drop Assembly	Token; 118-1 mzp
	38463	Coin Drop Assembly	Token; 118-5 mzp
	70441601P	Coin Drop	U.S.; \$.25
	38963P	Coin Drop	Token 118-16 not available; Replacement for 38963P Coin Drop only
2	202870	Single Coin Harness Assembly	
3	29786	Nut	
4	201595P	Wire Guard	Anti-stringing security device

Electronic Coin Drop - Front Control Models

Models SDENCAGS173TW01, SDENCAGS176TW01, SDENCAGS176TWSS, SDEWCAGS173TW41, SDEWXAGS173TW01, SDGNCAGS113TW01, SDGNCAGS116TW01, SDGNCAGS116TWSS, SDGWCAGS113TW41 and SDGWXAGS113TW01



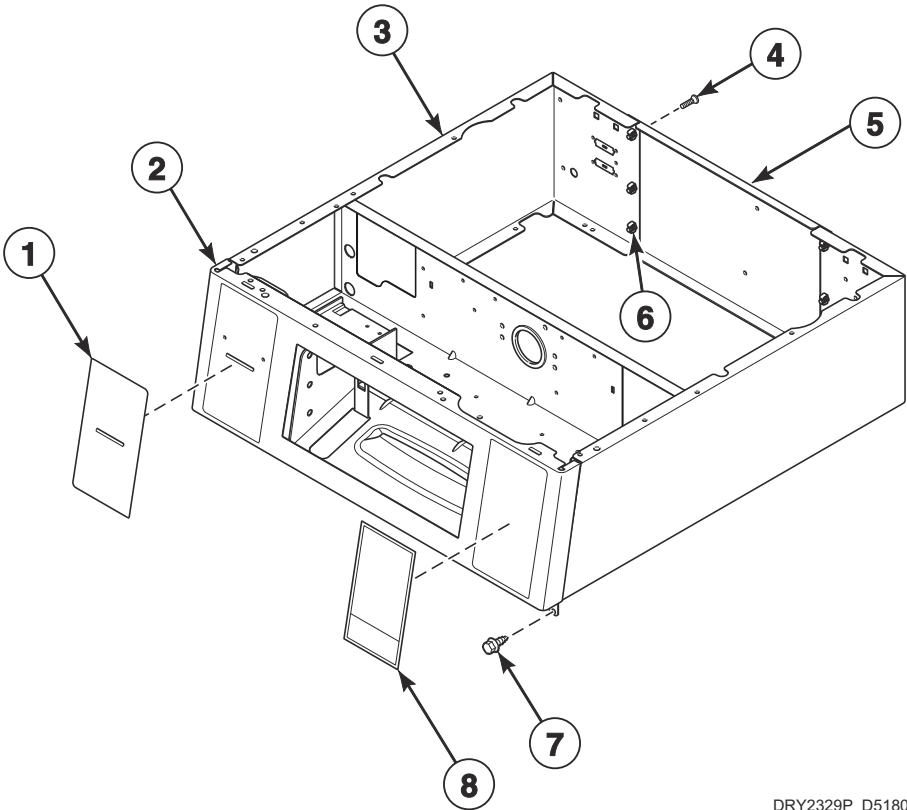
DRY2328P_D518057

Electronic Coin Drop - Front Control Models

REF	PART NO.	DESCRIPTION	COMMENTS
1	38725	Coin Identification Paper	
2	CK113	Electronic Coin Drop Kit	Japan and Taiwan coins
	CK115	Electronic Coin Drop Kit	United States and Canada coins
3	201104	Coin Drop Wire Harness	
4	204914	Single Coin Harness Assembly	If adding electronic coin drop this harness must be used; Models SDENCAGS176TW01 and SDENCAGS176TWSS
	202870	Single Coin Harness Assembly	If adding electronic coin drop this harness must be used; All other models
5	CK096	Mounting Tool Kit	
6	201572	Clip	
7	202757	Transformer	If adding electronic coin drop this transformer must be used
8	29786	Nut	Hex nut; Use on front assemblies without guide rods

Control Cabinet Controls - Front Control Card Ready Models

Models SDENYAGS153TW01, SDENYAGS173TW01, SDENYAGS176TW01, SDENYAGS176TWSS, SDEWYAGS153TW01, SDEWYAGS153TW41, SDEWYAGS173TW01, SDEWYAGS173TW41, SDGNCAGS116TW01, SDGNCAGS116TWSS, SDGNYAGS113TW01, SDGNYAGS116TW01, SDGNYAGS116TWSS, SDGWYAGS113TW01 and SDGWYAGS113TW41



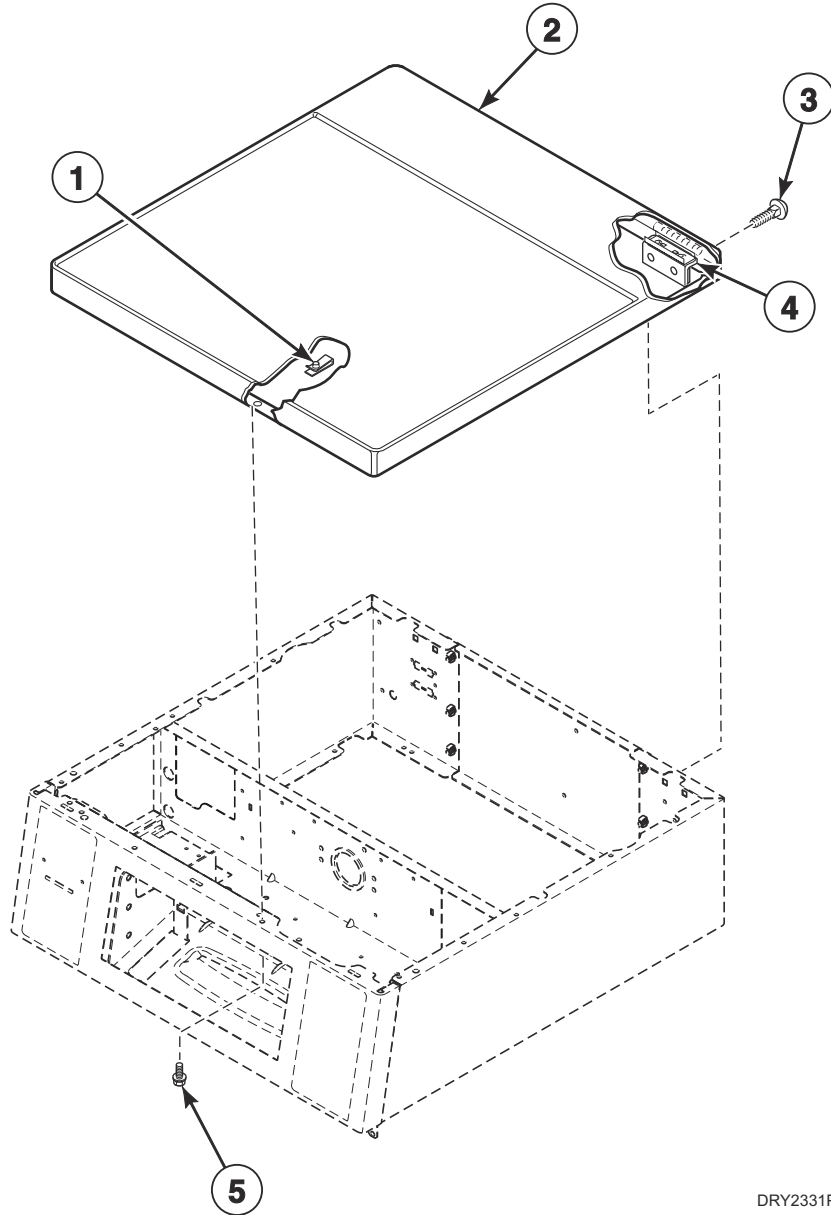
DRY2329P_D518057

Control Cabinet Controls - Front Control Card Ready Models

REF	PART NO.	DESCRIPTION	COMMENTS
1	D514391	Card Insert Overlay	
2	804149WP	Security Cabinet Assembly	White
3	804112W	Wrapper Assembly	White
4	70240301	Screw	6 required
5	807646	Rear Access Panel	
6	70030501	Expansion Clip	6 required
7	D503688	Screw	
8	D518482	Operating Instructions Label	Models SDENYAGS176TW01, SDENYAGS176TWSS, SDGNYAGS116TW01 and SDGNYAGS116TWSS
	D517764	Operating Instructions Label	All other models

Cabinet Top - Front Control Models

Models NDENXAGS543MW01, NDLNXAGS123MW01, SDENCAGS173TW01, SDENCAGS176TW01, SDENCAGS176TWSS, SDENXAGS543MW01, SDENYAGS153TW01, SDENYAGS173TW01, SDENYAGS176TW01, SDENYAGS176TWSS, SDEWCAGS173TW41, SDEWXAGS173TW01, SDEWYAGS153TW01, SDEWYAGS153TW41, SDEWYAGS173TW01, SDEWYAGS173TW41, SDGNCAGS113TW01, SDGNCAGS116TW01, SDGNCAGS116TWSS, SDGNYAGS113TW01, SDGNYAGS116TW01, SDGNYAGS116TWSS, SDGWCAGS113TW41, SDGWXAGS113TW01, SDGWYAGS113TW01, SDGWYAGS113TW41 and SDLNXAGS123MW01

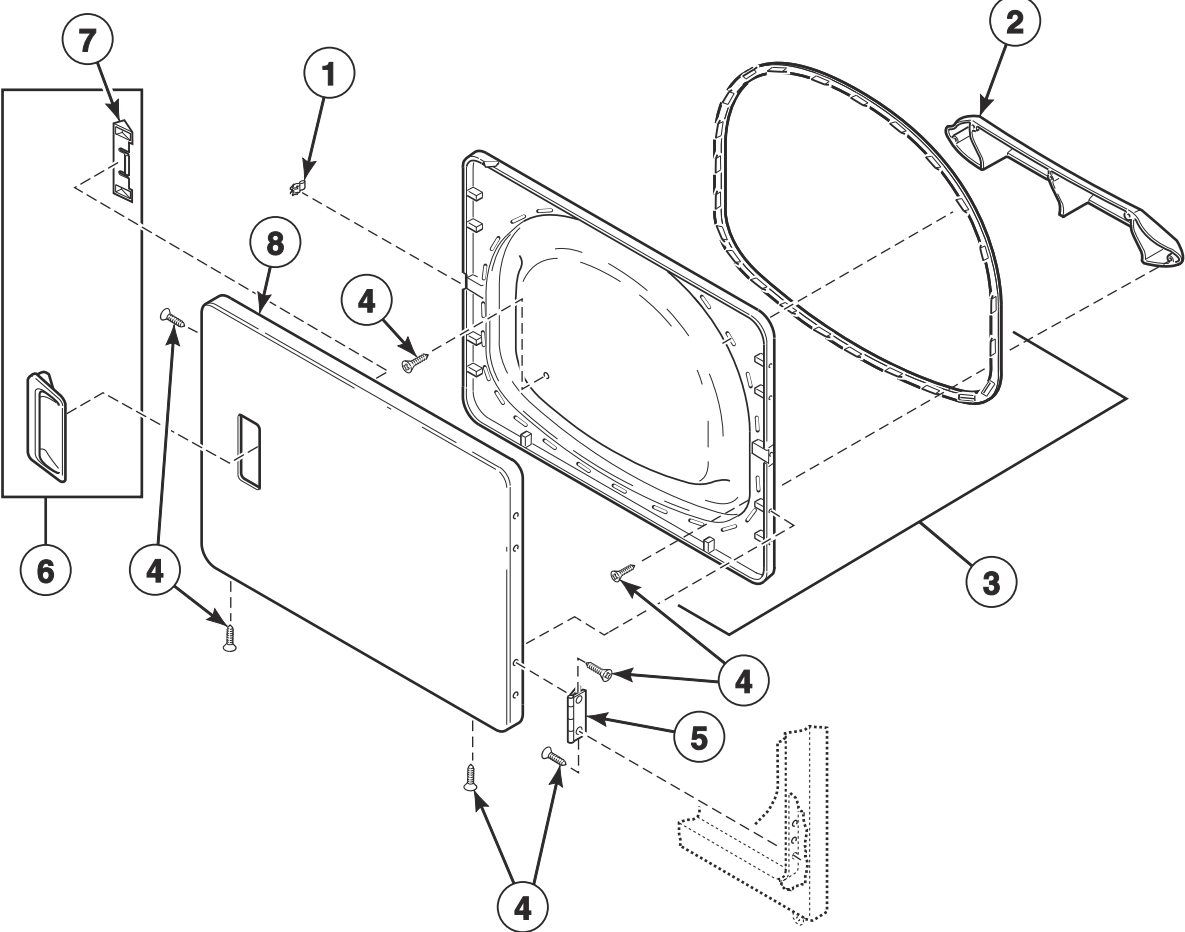


DRY2331P_D518057

Cabinet Top - Front Control Models

REF	PART NO.	DESCRIPTION	COMMENTS
1	36020	Nut	
2	803868WP	Top Panel	White
3	29651	Bolt	
4	804676	Hinge	Includes bracket
5	23008	Screw	

Loading Door

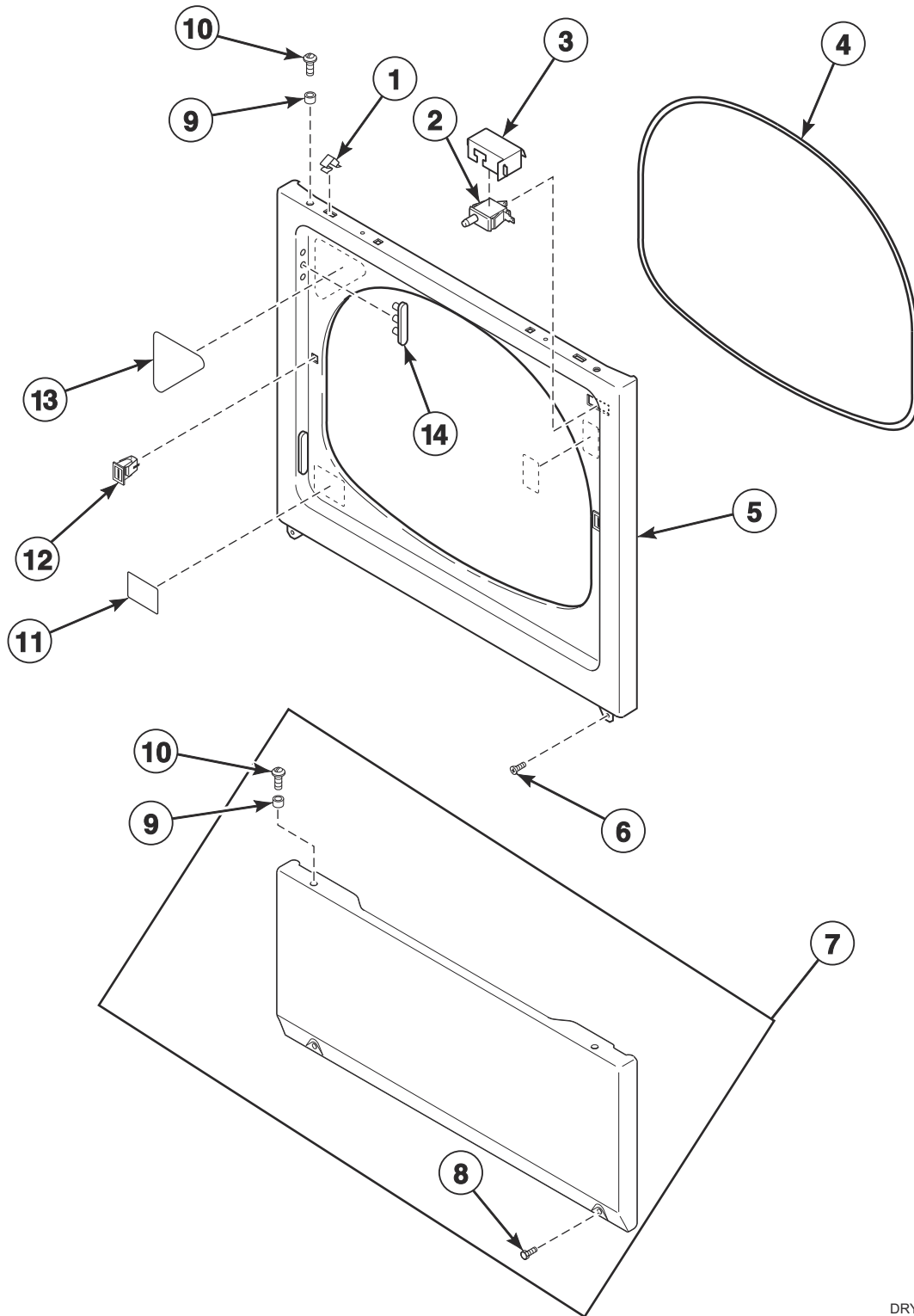


DRY2500P_D518057

Loading Door

REF	PART NO.	DESCRIPTION	COMMENTS
1	D510181	Door Strike	
2	D503870W	Door Liner Grill	
3	D516510WP	Door Assembly	Model SDENYRGS173TW01
	D516508	Door Liner Assembly	All other models
4	D500226	Screw	
5	D511036	Hinge	
6	D510103WP	Door Pull and Wedge Kit	Includes item 9; White
7	D510129W	Door Handle Wedge	
8	D510013WP	Dryer Door	White

Access Panel, Front Panel and Seal

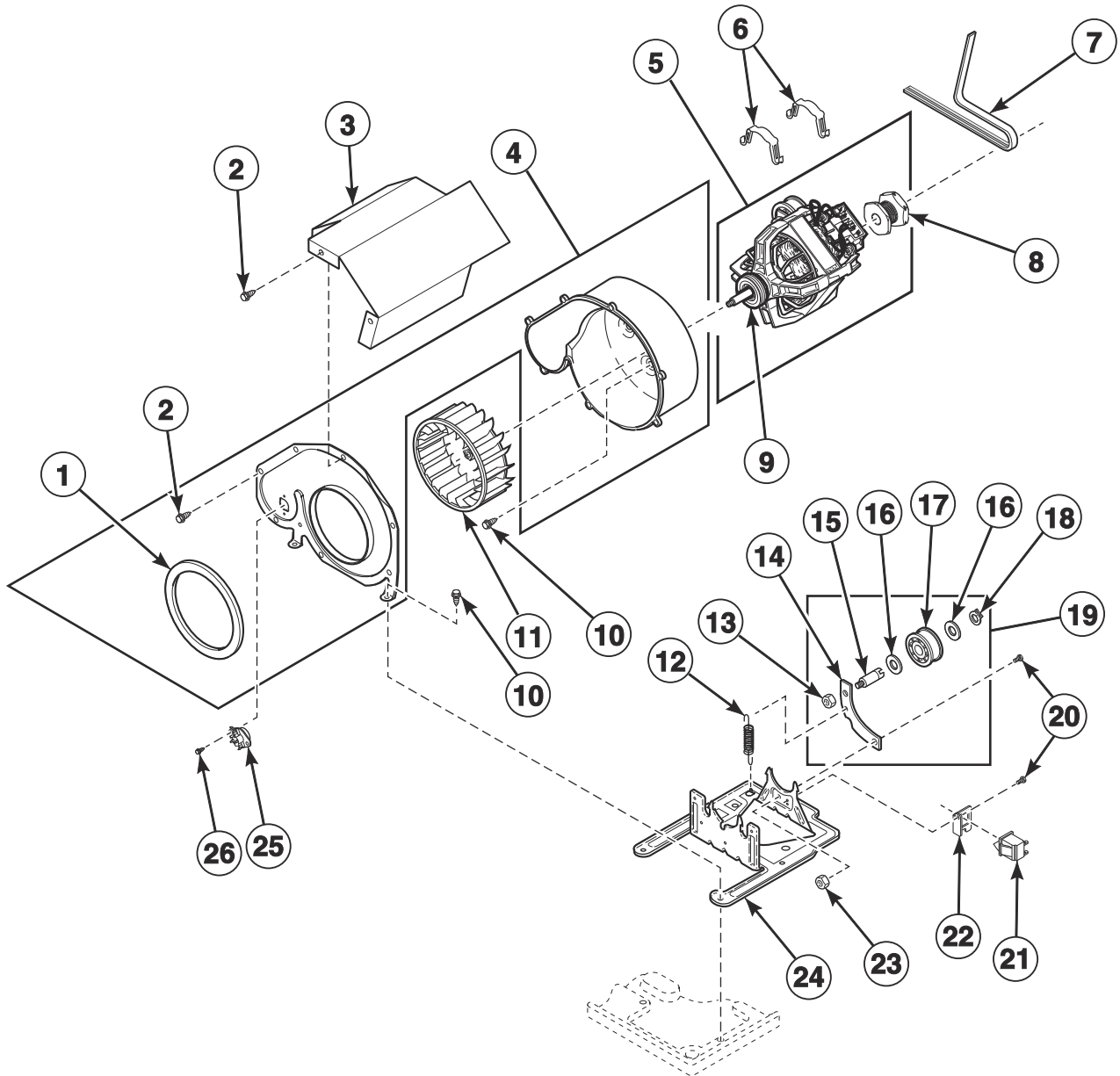


DRY2564P

Access Panel, Front Panel and Seal

REF	PART NO.	DESCRIPTION	COMMENTS
1	28835	Speed Clip	1 per side
2	D512973	Switch	
3	D514327	Drip Shield	Models NDENXAGS543MW01, NDLNXAGS123MW01, SDENXAGS543MW01 and SDLNXAGS123MW01
4	D511056	Front Panel Seal	
5	D510066WP	Front Panel	White
6	D503688	Screw	
7	D514250WP	Access Panel Assembly	White
8	33562	Screw	Slotted hex head
	62853	Screw	Torx head; Optional for added security
9	56079	Panel Locator	1 per side
10	39733	Screw	1 per side
11	502781	Lint Filter Label	
12	D510177	Door Catch Assembly	
13	D516512	Warning/Caution Label	Model SDENYRGS173TW01
	D500281	Warning/Caution Label	All other models

Motor, Exhaust Fan and Belt

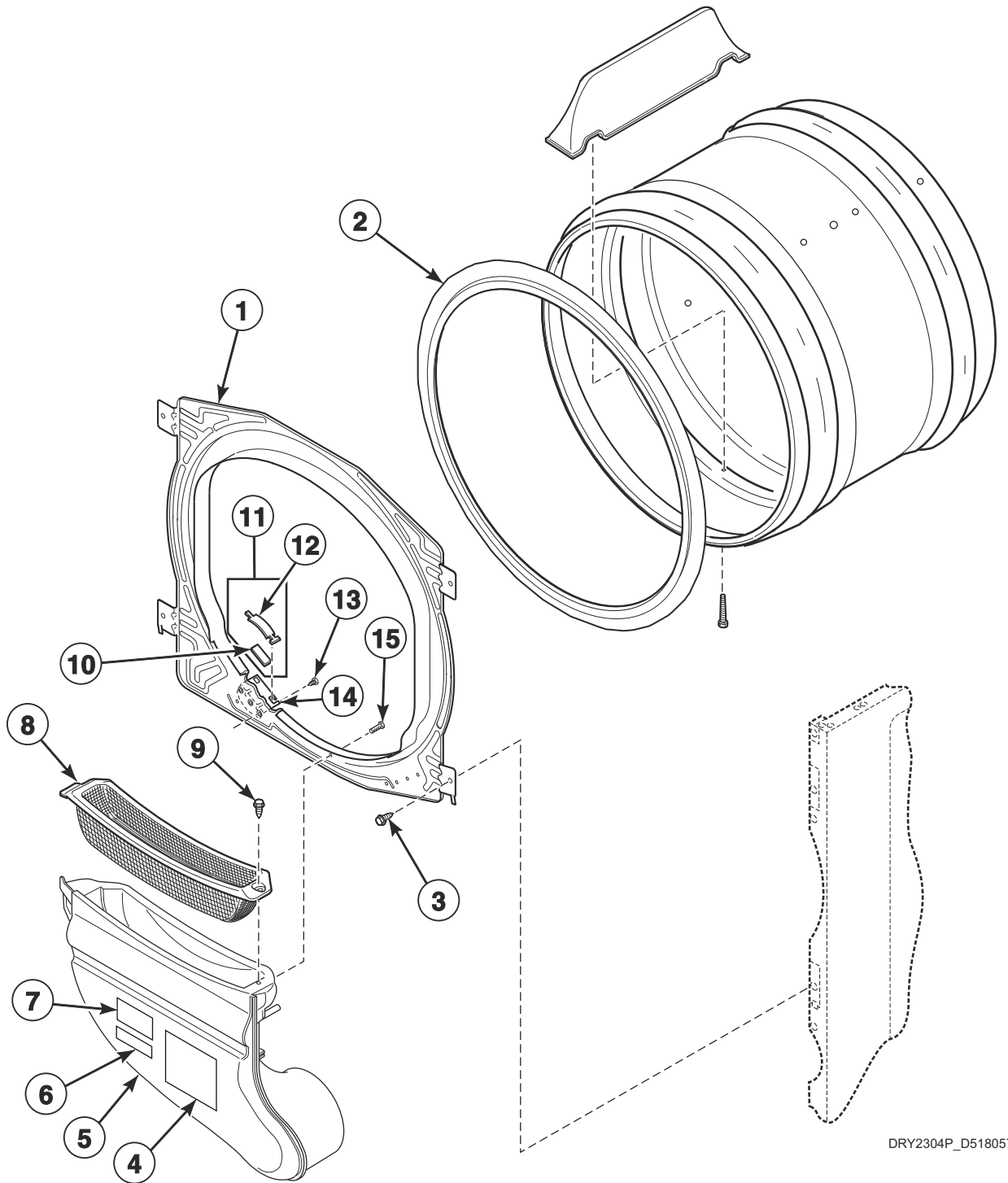


DRY2562P

Motor, Exhaust Fan and Belt

REF	PART NO.	DESCRIPTION	COMMENTS
	27604P	Anti-Seize Compound	Apply to motor shaft when installing blower fan assembly
1	D510238P	Blower Housing Seal	
2	31260	Screw	
3	D514602	Motor Shield	Models NDENXAGS543MW01, NDLNXAGS123MW01, SDENXAGS543MW01 and SDLNXAGS123MW01
4	D511969WP	Blower Housing	Includes items 1 and 2
5	D511629P	Motor and Pulley Assembly	120 Volt/60 Hertz; Apply anti-seize compound to motor shaft when installing blower fan assembly; Includes items 7 and 8; All other models
	D505869P	Motor and Pulley Assembly	Models NDENXAGS543MW01 and SDENXAGS543MW01
6	D510180	Motor Mount Clamp	
7	D511255P	Cylinder Belt	
8	D500011	Motor Pulley	60 Hertz
9	590P3	Motor Hub Ring Kit	
10	D503688	Screw	
11	D510139P	Blower Fan Assembly	Apply anti-seize compound to motor shaft when installing blower fan assembly
12	D510185	Idler Spring	
13	44087301	Nut	
14	D516310	Idler Lever	
15	56461P	Shaft	
16	52549	Washer	
17	D510142P	Idler Wheel and Bearing Assembly	
18	23748	Retaining Ring	
19	D516792	Idler Lever and Wheel Assembly	Includes items 12-17
20	D500824	Screw	
21	D516391	Switch	
22	D516311	Motor Switch Bracket	
23	52566	Nut	
24	D518517	Motor Mount	
25	D510523	Thermistor Assembly	Black
26	D502535	Screw	

Front Bulkhead, Air Duct and Felt Seal



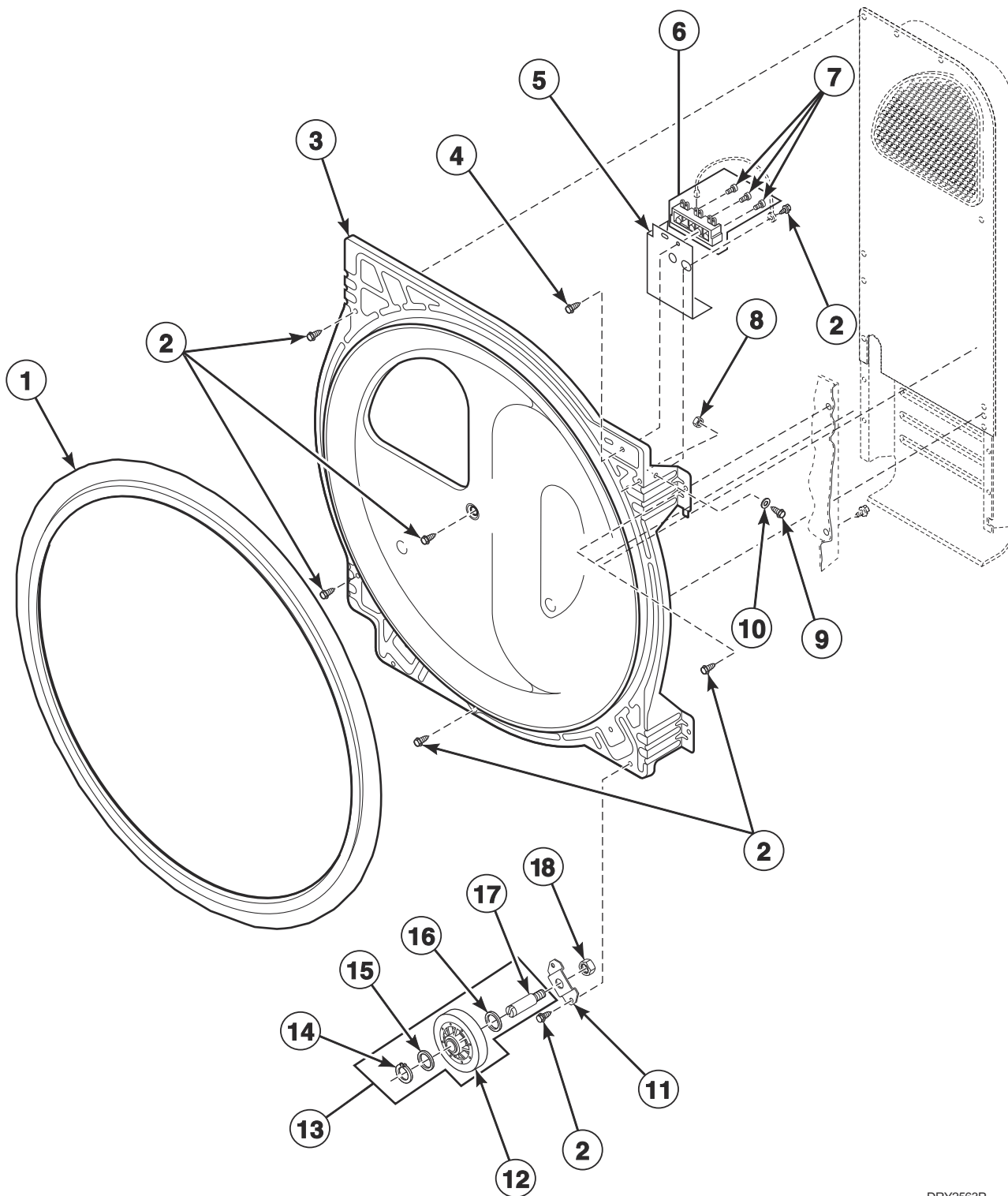
Front Bulkhead, Air Duct and Felt Seal

REF	PART NO.	DESCRIPTION	COMMENTS
1	D510266P	Front Bulkhead Assembly	Unpainted; Includes item 2 and 7-10
2	D510207P	Cylinder Seal Assembly	
	D511637P	Adhesive	Apply to cylinder seal
	RB170001	Seal Kit	Includes 2 cylinder seals, D510238P Blower Housing Seal and Adhesive
3	D505295	Screw	Use with painted side panels
4	D511004	Gas Clearance Label	Gas models
5	D518431	Air Duct Assembly	Models NDENXAGS543MW01, NDLNXAGS123MW01, SDENXAGS543MW01 and SDLNXAGS123MW01
	D518433	Air Duct Assembly	All other models
6	61294	Fuse Notice Label	Electric models
7	D500049	Warning Label	
	F8614201	Shock Warning Label	
	F8615701	Pinch Warning Label	
8	D503980LG	Lint Filter	
9	D501285	Screw	
10	D510189	Felt Pad	1 per side
11	RB170003	Glide Kit	Includes items 7 and 9; Quantity: 2 of each item
12	D513710	Cylinder Glide	1 per side
13	52864	Screw	2 per side
14	D510145	Cylinder Glide Bracket	1 per side
15	D505295	Screw	1 per side

Cylinder Assembly

REF	PART NO.	DESCRIPTION	COMMENTS
1	D510102W	Cylinder Baffle	White
2	D510265WP	Cylinder Assembly	Galvanized; Includes 3 of item 1 and 6 of item 3; White baffles
3	62588	Screw	

Rear Bulkhead, Felt Seal, Cylinder Roller and Terminal Block

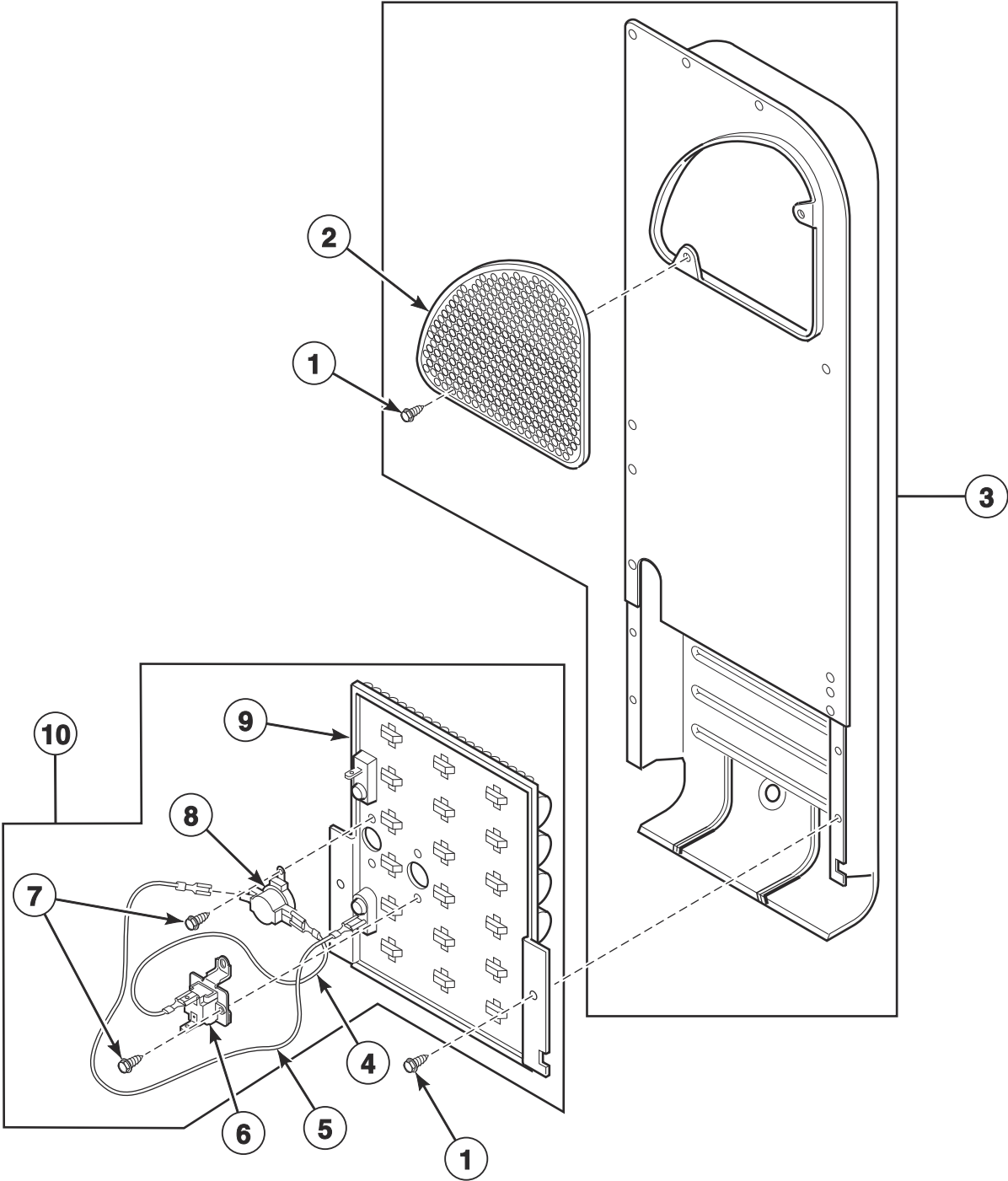


DRY2563P

Rear Bulkhead, Felt Seal, Cylinder Roller and Terminal Block

REF	PART NO.	DESCRIPTION	COMMENTS
1	D510207P	Cylinder Seal Assembly	
	D511637P	Adhesive	Apply to cylinder seal
	RB170001	Seal Kit	Includes 2 cylinder seals, D510238P Blower Housing Seal and Adhesive
2	D503688	Screw	
3	D511082P	Rear Bulkhead Assembly	Galvanized; Includes item 1
4	D501285	Screw	Electric models
5	D517715	Terminal Block Shield	Models NDENXAGS543MW01 and SDENXAGS543MW01
6	D510190P	Terminal Block Assembly	Includes 3 of item 7; Electric models
7	61199	Screw	
8	28447	Nut	
9	28448	Screw	
10	28449	Washer	
11	D510100	Cylinder Roller Bracket	
12	D510708P	Cylinder Roller	
13	RB170002	Roller Kit	Includes items 12 and 14-17
14	23748	Retaining Ring	
15	52549	Washer	
16	D504082	Washer	
17	56461P	Shaft	
18	44087301	Nut	

Heater Duct and Element Assembly - Electric Model Dryers

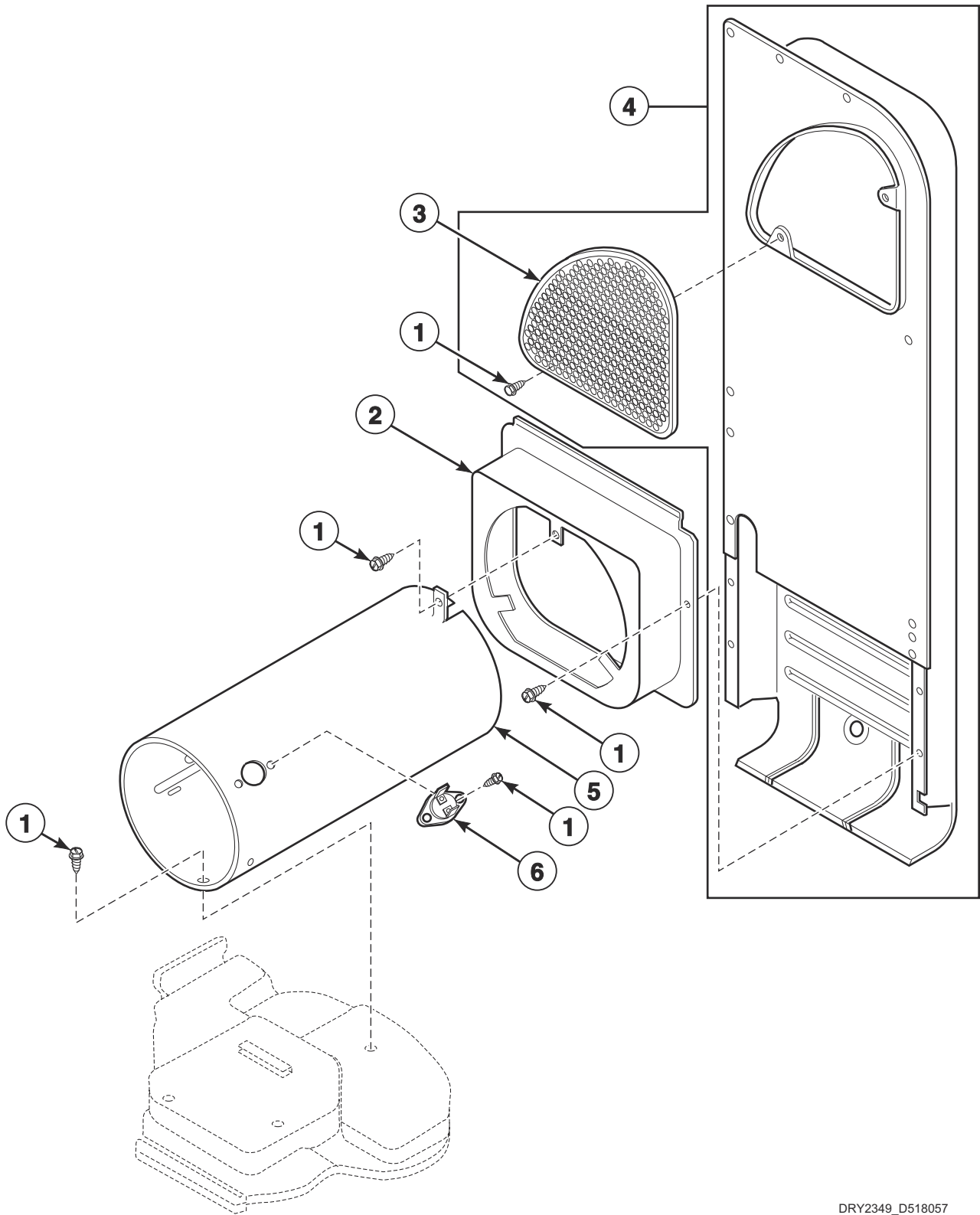


DRY1789P_D518057

Heater Duct and Element Assembly - Electric Model Dryers

REF	PART NO.	DESCRIPTION	COMMENTS
1	D503688	Screw	
2	D500820	Outlet Cover	
	D518524	Outlet Cover	Black
3	D518526	Heater Duct Assembly	Includes items 1 and 2; Model SDENYRGS173TW01
	D510705P	Heater Duct Assembly	Includes items 1 and 2; All other models
4	D518256	Wire Assembly	Orange; Thermostat jumper; Attaches to heater assembly
5	D518255	Wire Assembly	Black; Fuse jumper; Attaches to heater assembly
6	D518649	Thermal Fuse Assembly	
7	23222	Screw	
8	D510701	Limit Thermostat	
9	D510325P	Heater	4.75 kW; 208 Volt; Models SDENCRGS153TW01, SDENYAGS153TW01, SDENYRGS153TW01, SDEWCRGS153TW42, SDEWYAGS153TW01, SDEWYAGS153TW41, SDEWYRGS153TW01 and SDEWYRGS153TW41
	D510329P	Heater Assembly	5.35 kW; 240 Volt; All other models
10	61928	Heater Kit Assembly	4.75 kW; 208 Volt; Includes items 4-9
	964P3	Heater Kit	5.35 kW; 240 Volt; Includes items 4-9

Heater Duct Assembly - Gas Model Dryers



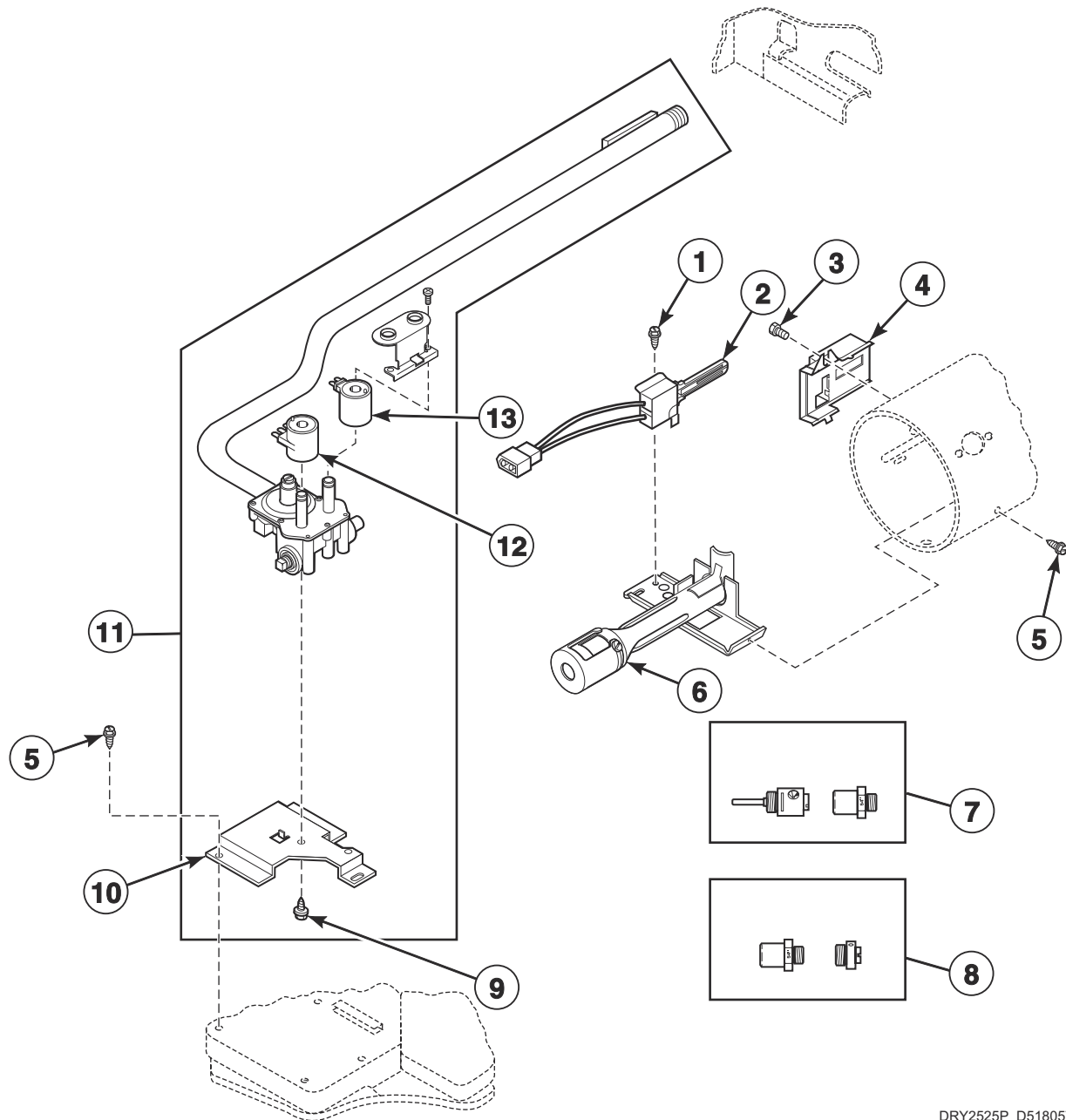
DRY2349_D518057

Heater Duct Assembly - Gas Model Dryers

REF	PART NO.	DESCRIPTION	COMMENTS
1	51782	Screw	
2	D510101	Heat Duct Shroud	
3	D500820	Outlet Cover	
	D518524	Outlet Cover	Black
4	D510705P	Heater Duct Assembly	Includes items 1 and 3
5	D518633	Combustion Duct Assembly	Models NDLNAGS123MW01 and SDLNAGS123MW01
	D510131	Combustion Duct	All other models
6	D510702	Limit Thermostat	Black; Auto reset

Gas Valve, Igniter and Gas Conversion Kits

Gas Models



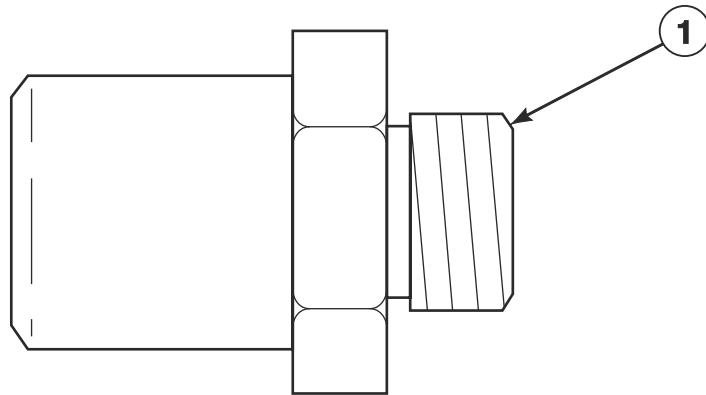
DRY2525P_D518057

Gas Valve, Igniter and Gas Conversion Kits

REF	PART NO.	DESCRIPTION	COMMENTS
1	51782	Screw	
2	D510184P	Igniter and Bracket Assembly	
3	23222	Screw	
4	D510213	Sensor	
5	D503688	Screw	
6	D510149P	Burner Assembly	
7	458P3	L.P. Conversion Kit	Used to convert dryers from Natural Gas (N.G.) or Mixed Gas to Liquid Petroleum Gas (L.P.) for 25,000 Btu
8	459P3	N.G. Conversion Kit	Used to convert dryers from L.P. to N.G. or Mixed Gas for 25,000 Btu
9	56124	Screw	
10	D510128	Gas Valve Mounting Bracket	
11	D517606	Gas Valve, Bracket and Pipe Assembly	60 Hertz; 25,000 Btu; N.G.; Includes items 9, 10, 12 and 13
12	58804A	Booster and Holding Coil	
13	58804B	Secondary Coil	

Burner Orifice Spuds - For Higher Elevations

Gas Models

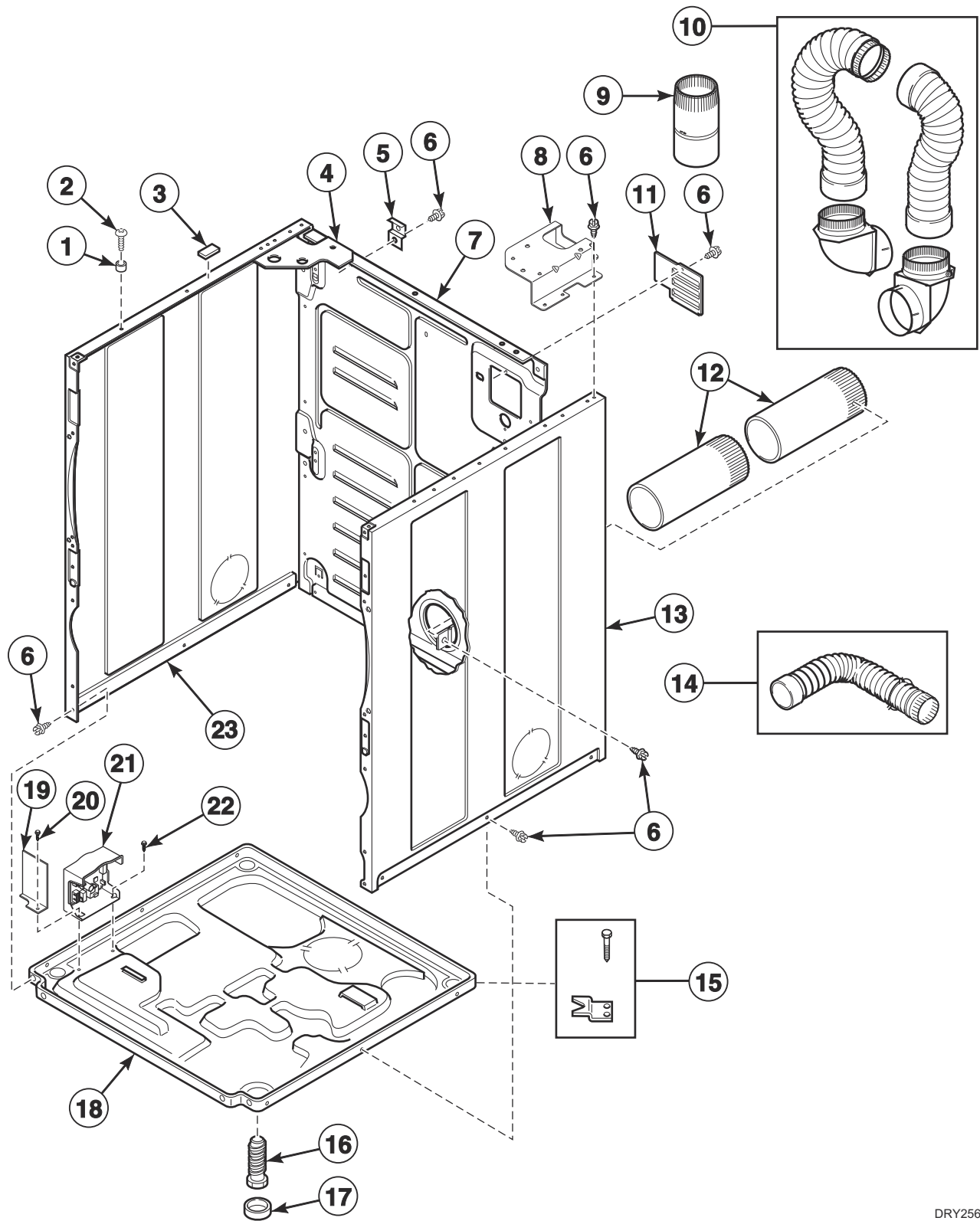


DRY2266P_D518057

Burner Orifice Spuds - For Higher Elevations

REF	PART NO.	DESCRIPTION	COMMENTS
1	58755	L.P. Orifice	Liquid Petroleum Gas (L.P.); 7500-10999 feet (2290-3354 m)
	D503786	L.P. Orifice	L.P.; 11000 feet (3355 m) and higher
	D503776	N.G. Orifice	Natural Gas (N.G.); 2000-2999 feet (610-914 m)
	D510517	N.G. Orifice	N.G.; 3000-5499 feet (915-1679 m)
	D503778	N.G. Orifice	N.G.; 5500-6999 feet (1680-2134 m)
	58719	Screw Orifice	N.G.; 7000-8999 feet (2135-2744 m)
	D503779	N.G. Orifice	N.G.; 9000-10499 feet (2745-3199 m)
	D503780	N.G. Orifice	N.G.; 10500 feet (3200 m) and higher

Cabinet, Exhaust Duct and Base



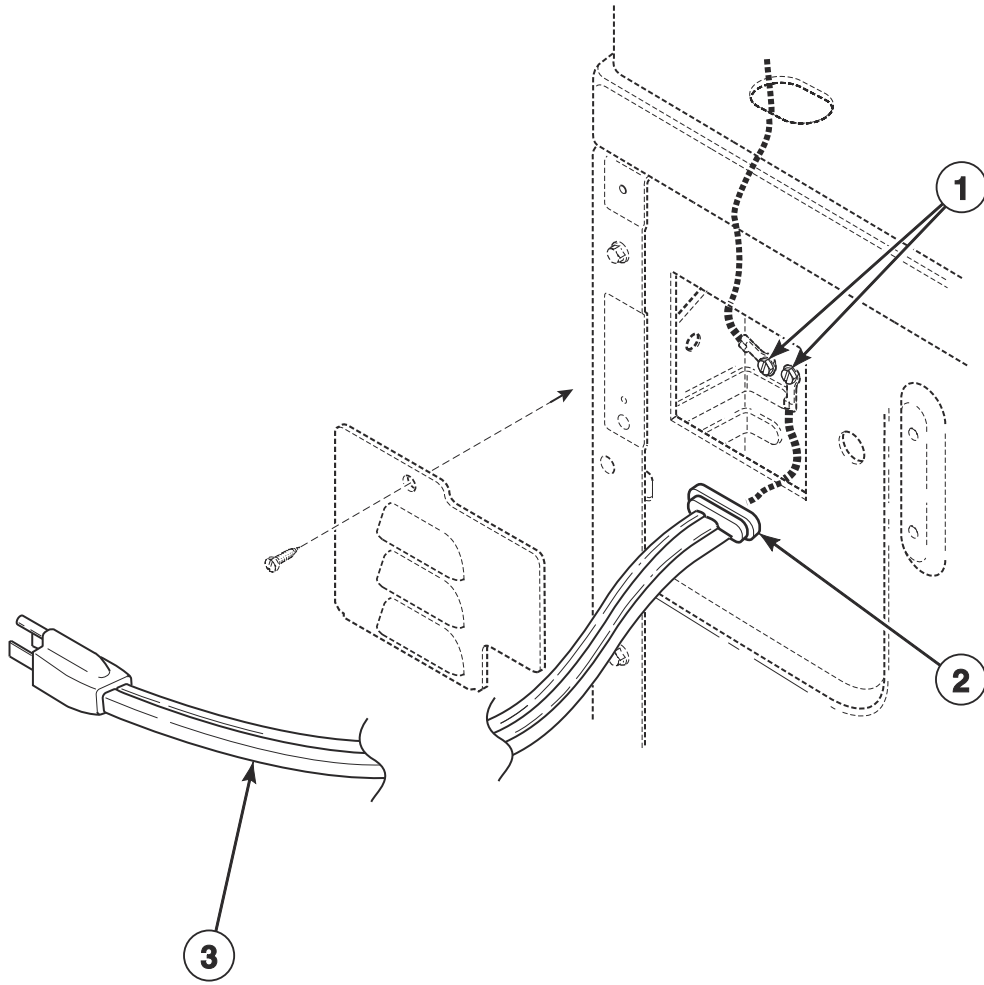
DRY2561P

Cabinet, Exhaust Duct and Base

REF	PART NO.	DESCRIPTION	COMMENTS
1	56079	Panel Locator	
2	39733	Screw	
3	56128	Bumper Pad	
4	D510337	Frame Gusset	
5	D510136	Top Hinge	
6	D503688	Screw	
7	D517566	Cabinet Rear Panel	
8	547P3	Coin Cabinet Hardware Kit	
9	58786	Damper	Use when connecting to a manifold vent system
10	521P3	Flexible Venting Kit	
11	D514356	Access Cover Plate	Models NDENXAGS543MW01 and SDENXAGS543MW01
	D510903	Access Panel Plate	All other models
12	D516196	Exhaust Duct	Each dryer requires 2 pieces
13	D510002WP	Cabinet Side Panel	White; Right
14	528P3	Directional Exhaust Kit	Used to vent dryer out the sides or bottom
15	526P3	Hold Down Kit	For mobile home installations
16	D510135	Leveling Leg	
17	D501855	Rubber Foot	
18	D514245	Dryer Base	
19	D514420	Output Board Shield	Models NDENXAGS543MW01, NDLNXAGS123MW01, SDENXAGS543MW01 and SDLNXAGS123MW01
20	D514428	Screw	
21	D517319	Output Control Assembly	Models NDENXAGS543MW01, NDLNXAGS123MW01, SDENXAGS543MW01 and SDLNXAGS123MW01
	D517191P	Output Control Assembly	All other models
22	804667	Screw	
23	D510001WP	Cabinet Side Panel	White; Left

Power Cord (Drawing 1 of 2)

Gas Models



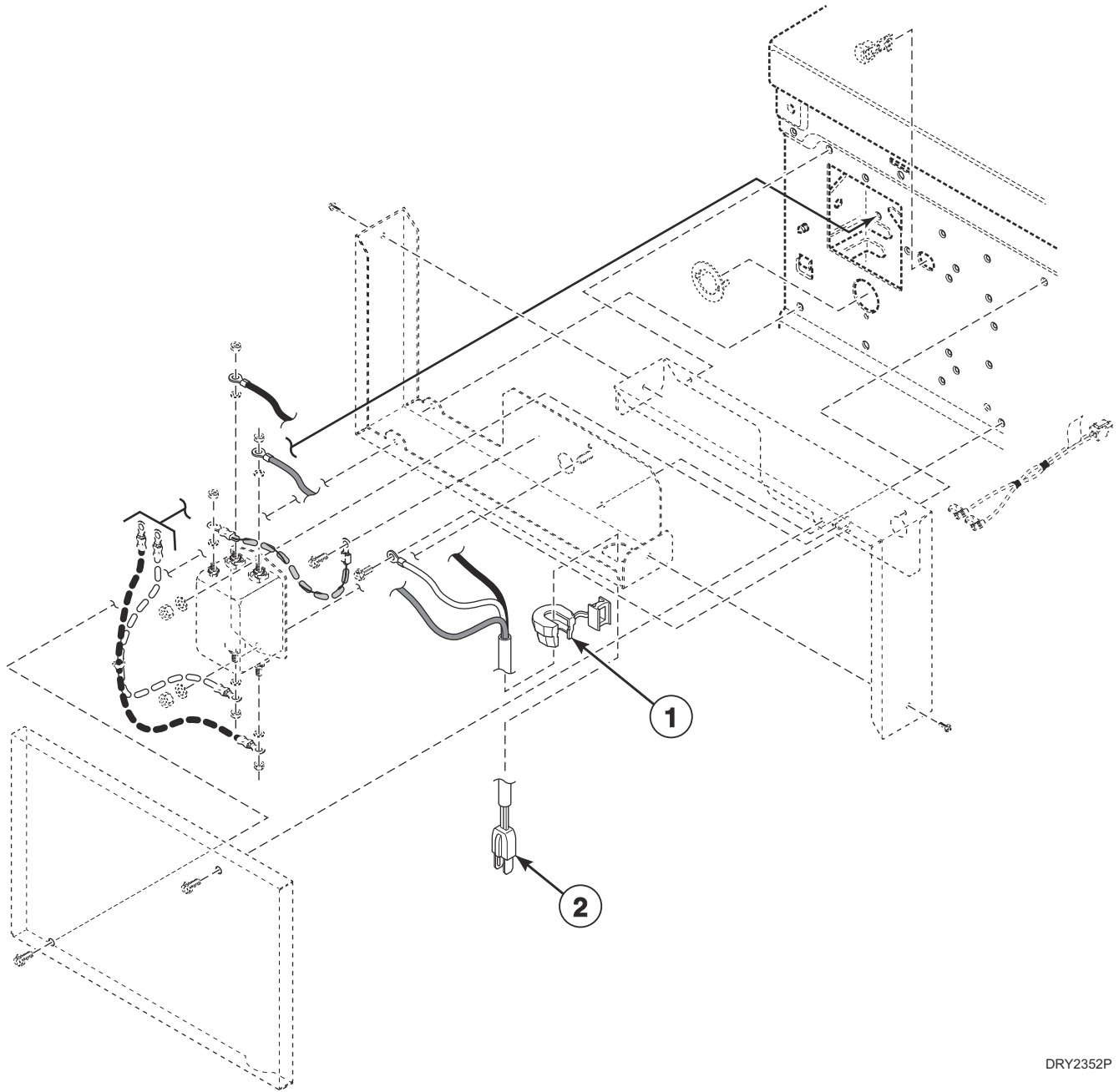
DRY1879P_D518057

Power Cord (Drawing 1 of 2)

REF	PART NO.	DESCRIPTION	COMMENTS
1	20530	Screw	
2	D517490	Strain Relief	
3	D518387	Lead-In Cord	

Power Cord (Drawing 2 of 2)

Models NDENXAGS543MW01 and SDENXAGS543MW01

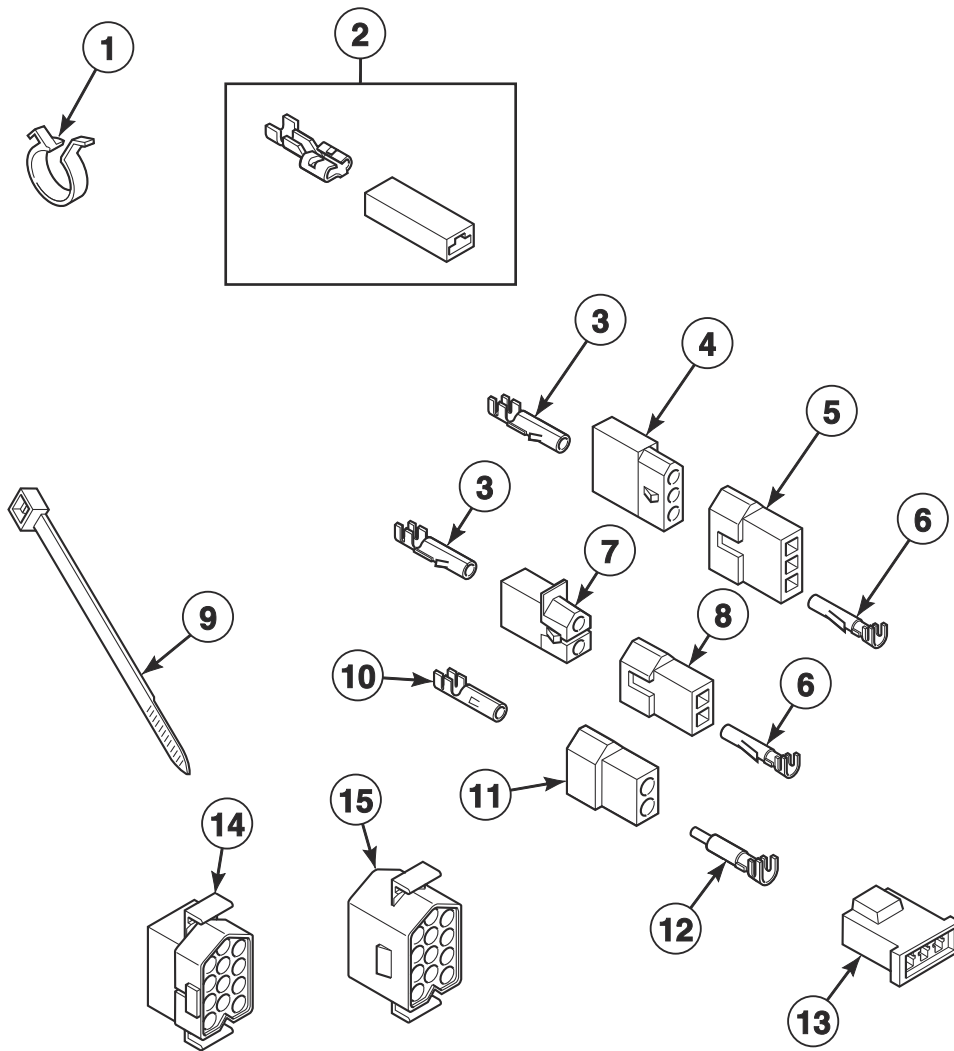


DRY2352P

Power Cord (Drawing 2 of 2)

REF	PART NO.	DESCRIPTION	COMMENTS
	20530	Screw	
1	D517492	Strain Relief	
2	D516747	Lead-In Cord Assembly	

Terminal Block and Terminals (Drawing 1 of 2)

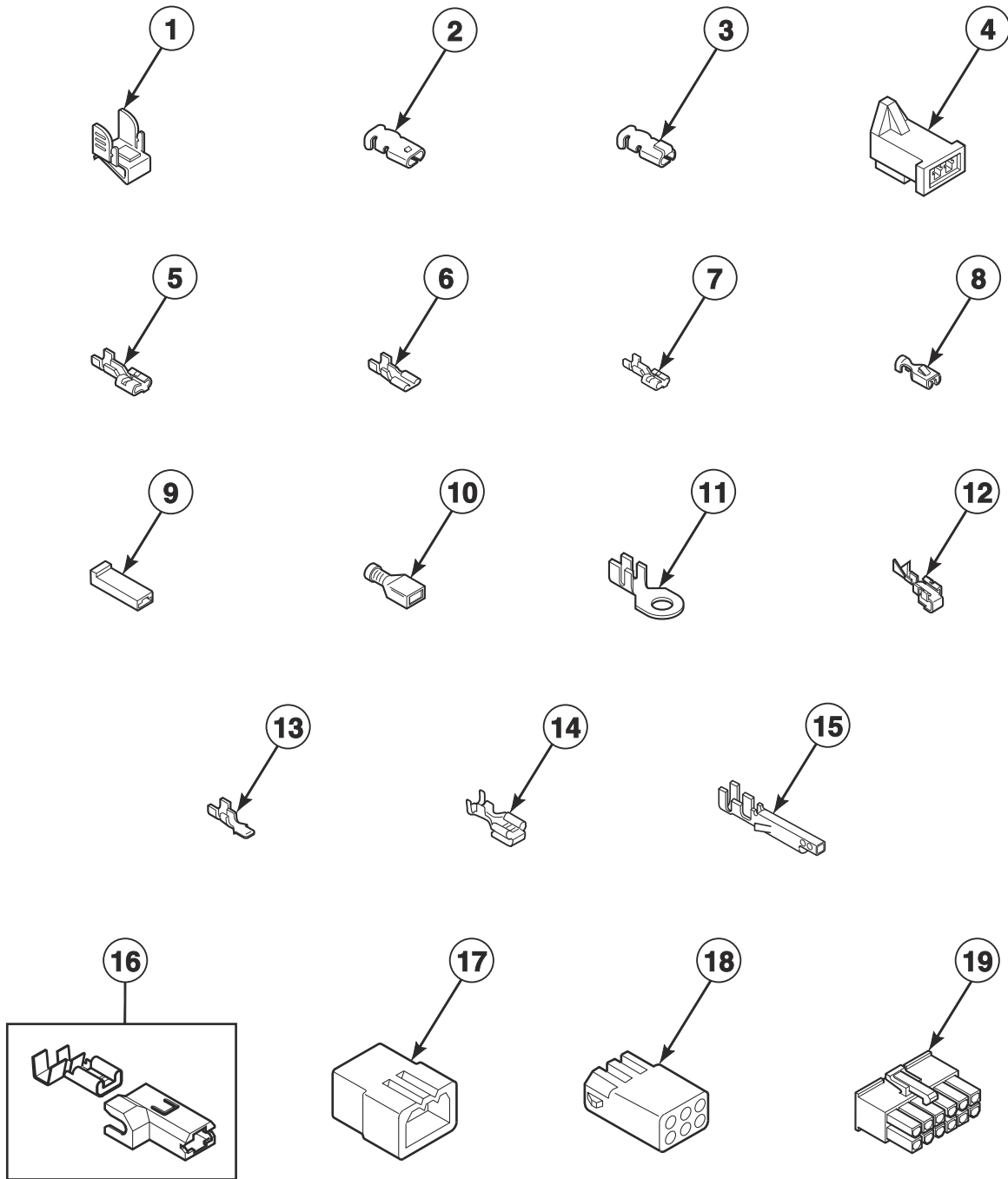


DRY2038P_D518057

Terminal Block and Terminals (Drawing 1 of 2)

REF	PART NO.	DESCRIPTION	COMMENTS
1	D504034	Wire Clip	11/16 inch
	687500	Wire Clip	1 inch
2	00360	Insulated Female Spade Terminal	(1) 12 gauge wire or (2) 18 gauge wires
3	00117	Female Pin Terminal	
4	23039	3 Circuit Receptacle	
5	23040	Plug	3 circuit
6	00116	Male Pin Terminal	
7	56451	2 Circuit Receptacle	
8	56448	2 Circuit Plug	
9	55881	Harness Strap	
10	00128	Female Pin Terminal	1/8 inch; 10-14 gauge wire
	00130	Female Pin Terminal	1/8 inch; 16-18 gauge wire
11	56266	2 Circuit Plug	
12	00127	Male Pin Terminal	1/8 inch; 10-14 gauge wire
	00129	Male Pin Terminal	1/8 inch; 16-18 gauge wire
13	58800	3 Circuit Connector	
14	54522	Plug	
15	56855	12 Circuit Receptacle	

Terminal Block and Terminals (Drawing 2 of 2)

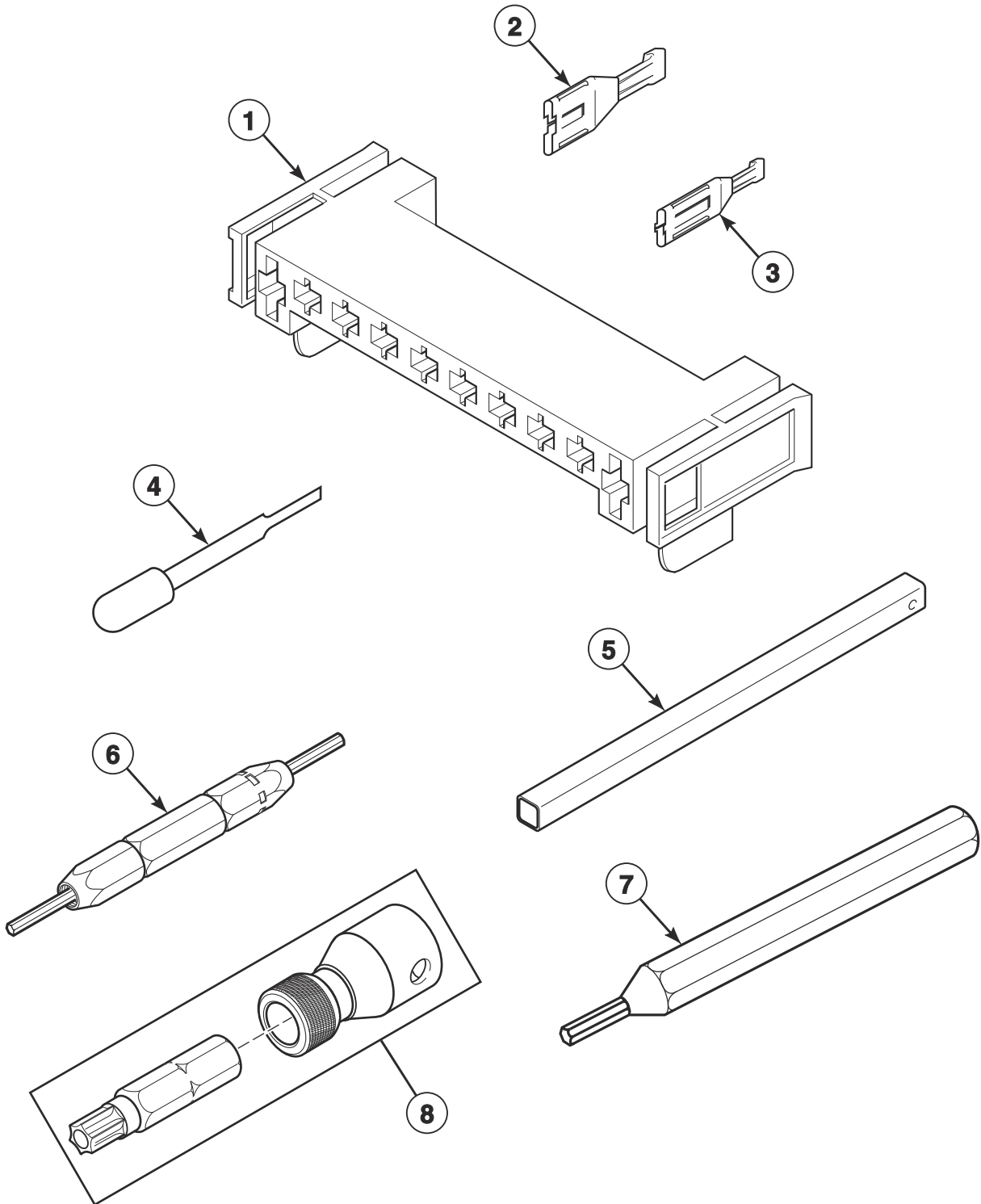


DRY2338P_D518057

Terminal Block and Terminals (Drawing 2 of 2)

REF	PART NO.	DESCRIPTION	COMMENTS
1	00161	Grounding Clip	
2	00189	Female Spade Terminal	1/8 inch
3	00361	Female Piggyback Terminal	
4	58799	2 Circuit Connector	
5	00223	Female Spade Terminal	1/4 inch; (1) 18 gauge wire
	00121	Female Spade Terminal	1/4 inch; (2) 18 gauge wires or (1) 12 gauge wire
	00245	Spade Terminal	1/4 inch; (1) 22 gauge wire
6	00124	Female Spade Terminal	3/16 inch; (1) 18 gauge wire; .020 tab
7	00222	Female Spade Terminal	1/4 inch
8	00115	Female Spade Terminal	1/4 inch; (1) 18 gauge wire
9	90789	Receptacle Housing	
10	00359	Insulated Female Spade Terminal	1/4 inch
11	00110	Ring Terminal	No. 10; (1) 18 gauge wire
12	00114	Female Spade Terminal	1/4 inch; Double connector
13	00139	Male Tab Terminal	1/4 inch; (2) 18 gauge wires or (1) 12 gauge wire
14	00344	Female Tab Terminal	1/4 inch
15	00252	Terminal	
16	00221	Insulated Female Flag Terminal	
17	23033	9 Circuit Plug	
	44370401	1 Circuit Plug Housing	
18	26708	6 Circuit Receptacle	
	26301	1 Circuit Receptacle	
19	34596	10 Circuit Receptacle	
	D501333	12 Circuit Receptacle	

Terminals and Terminal Extractor Tools



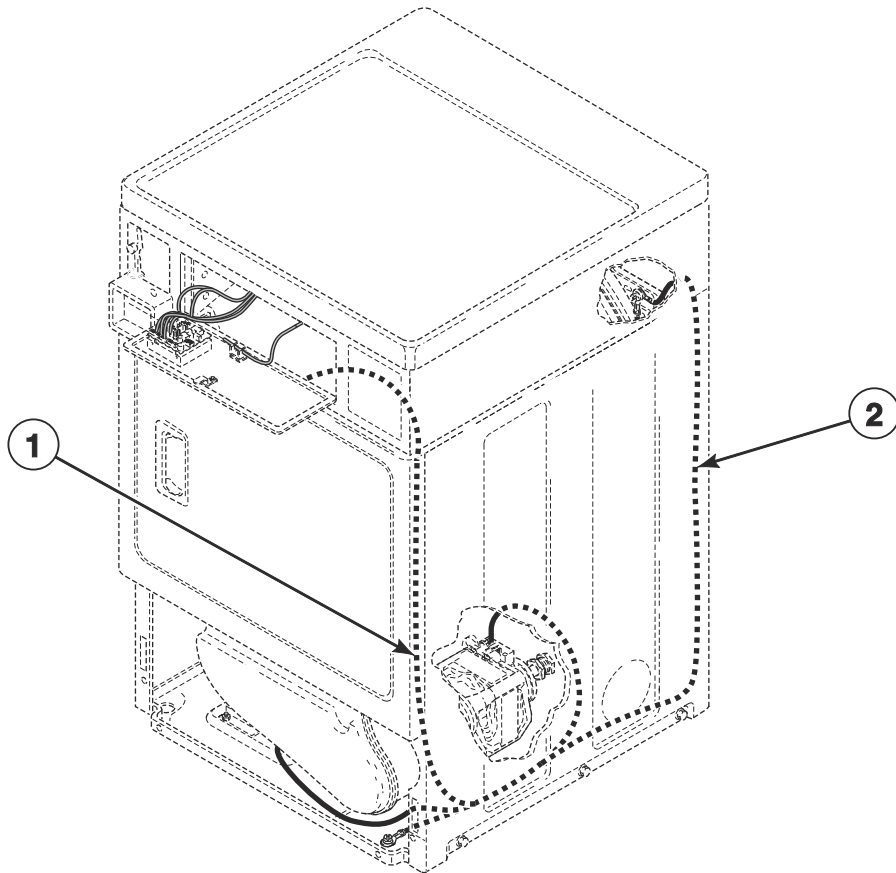
DRY2066P_D518057

Terminals and Terminal Extractor Tools

REF	PART NO.	DESCRIPTION	COMMENTS
1	D500338	10 Position Housing	
2	00255	Female Terminal	1/4 inch; (1) 12 gauge wire
	00256	Female Terminal	1/4 inch; (1) or (2) 18 gauge wires
3	00188	Female Terminal	For 1 or 2 wire application
4	283P4	Terminal Extractor Tool	For use on Molex connectors
5	310P4	Ratchet Extension Tool	1/4 inch; For coin drop installation
6	190P4	Extractor Tool	For use on electric dryer terminals
7	128P4	Extractor Tool	For use on gas dryer terminals
8	281P4	Torx Bit	T15 Tamper Resistant Bit
	282P4	Torx Bit	Use with 62853 Screw on access panel; T25 Tamper Resistant Bit
	292P4	Torx Bit	T20 Standard Bit
	93501	Torx Drive Tool	T10 Standard Bit

Wire Harnesses and Wires - Front Control Models (Drawing 1 of 2)

Models NDLNAGS123MW01, SDGNCAGS113TW01, SDGNCAGS116TW01, SDGNCAGS116TWSS, SDGNYAGS113TW01, SDGNYAGS116TW01, SDGNYAGS116TWSS, SDGWCAGS113TW41, SDGWCAGS113TW01, SDGWCAGS113TW41 and SDLNAGS123MW01



DRY2372P_D518057

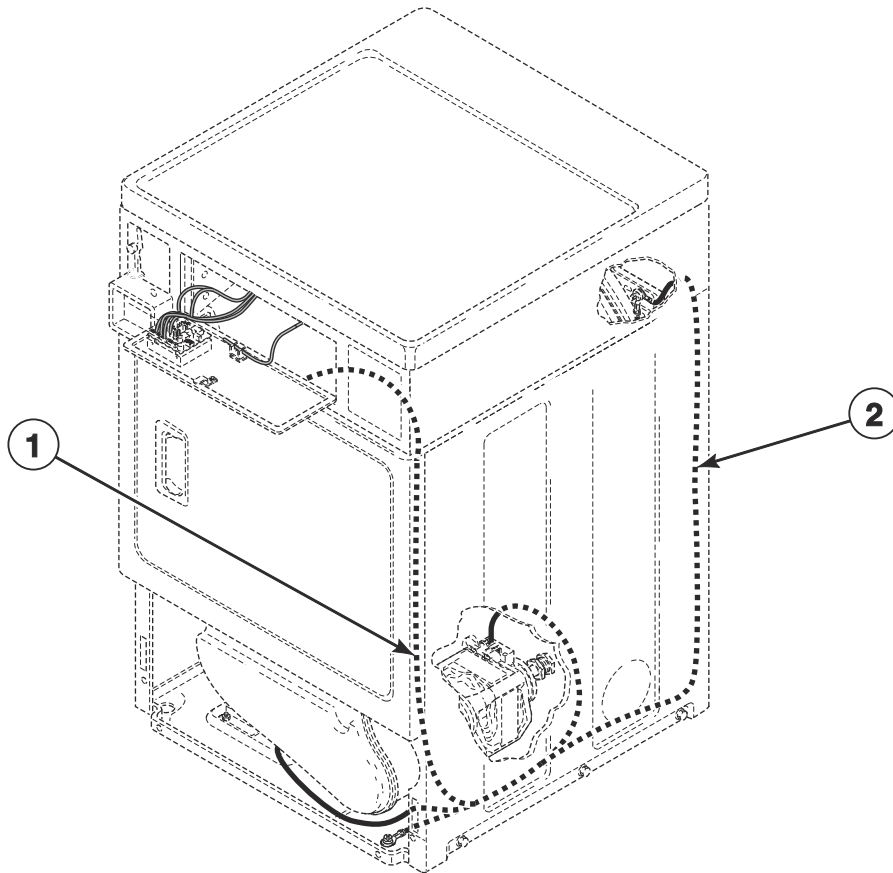
Wire Harnesses and Wires - Front Control Models (Drawing 1 of 2)

REF	PART NO.	DESCRIPTION	COMMENTS
	205550	Laundry IQ Internal Retrofit Kit	Models starting 1601000001
	45001	18 Gauge Wire	Black; Order wire by foot; Order terminals and connectors as required
	45380	12 Gauge Wire	Orange; Order wire by foot; Order terminals and connectors as required
	D517236	Broken Belt Harness	
1	D512422P	Wire Harness Assembly	
2	D517973	Gas Harness	Models SDGNCAGS116TW01 and SDGNYAGS116TW01
	D518975	Gas Harness	Models SDGNCAGS116TWSS and SDGNYAGS116TWSS
	D517479	Gas Harness	All other models

NOTE: Individual wires are not available separately. Order complete harness, or order wire by the foot. When applying terminals to wires, it is recommended that the terminals be soldered to the wires.

Wire Harnesses and Wires - Front Control Models (Drawing 2 of 2)

Models NDNLXAGS123MW01, SDENCAGS173TW01, SDENCAGS176TW01, SDENCAGS176TWSS, SDENYAGS153TW01, SDENYAGS173TW01, SDENYAGS176TW01, SDENYAGS176TWSS, SDEWCAGS173TW41, SDEWXAGS173TW01, SDEWYAGS153TW01, SDEWYAGS153TW41, SDEWYAGS173TW01, SDEWYAGS173TW41 and SDLNXAGS123MW01



DRY2372P_D518057

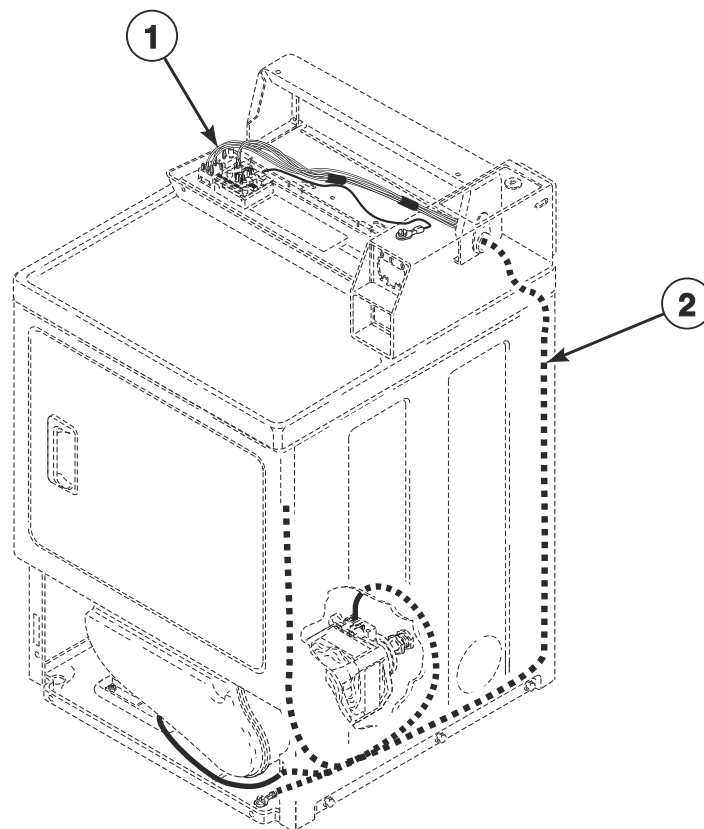
Wire Harnesses and Wires - Front Control Models (Drawing 2 of 2)

REF	PART NO.	DESCRIPTION	COMMENTS
	205550	Laundry IQ Internal Retrofit Kit	Models starting 1601000001
	45001	18 Gauge Wire	Black; Order wire by foot; Order terminals and connectors as required
	45380	12 Gauge Wire	Orange; Order wire by foot; Order terminals and connectors as required
	D517236	Broken Belt Harness	
1	D512422P	Wire Harness Assembly	
2	D517972	Electric Harness	Models SDENCAGS176TW01, SDENCAGS176TWSS and SDENYAGS176TW01
	D518976	Electric Harness	Model SDENYAGS176TWSS
	D517478	Electric Harness	All other models

NOTE: Individual wires are not available separately. Order complete harness, or order wire by the foot. When applying terminals to wires, it is recommended that the terminals be soldered to the wires.

Wire Harnesses and Wires - Rear Control Models

Models SDENCRGS153TW01, SDENCRGS173TW01, SDENCRGS176TW01, SDENCRGS176TWSS, SDENXRGs173TW01, SDENXRGs176TW01, SDENYRGs153TW01, SDENYRGs173TW01, SDENYRGs176TW01, SDENYRGs176TWSS, SDEWCRGS173TW42, SDEWYRGs153TW01, SDEWYRGs153TW41, SDEWYRGs173TW01, SDEWYRGs173TW41, SDGNCRGS113TW01, SDGNCRGS116TW01, SDGNCRGS116TWSS, SDGNXRGs113TW01, SDGNXRGs116TW01, SDGNYRGs113TW01, SDGNYRGs116TW01, SDGNYRGs116TWSS, SDGWCRGS113TW42, SDGWXRGs113TW02, SDGWYRGs113TW01 and SDGWYRGs113TW41



DRY2373P_D518057

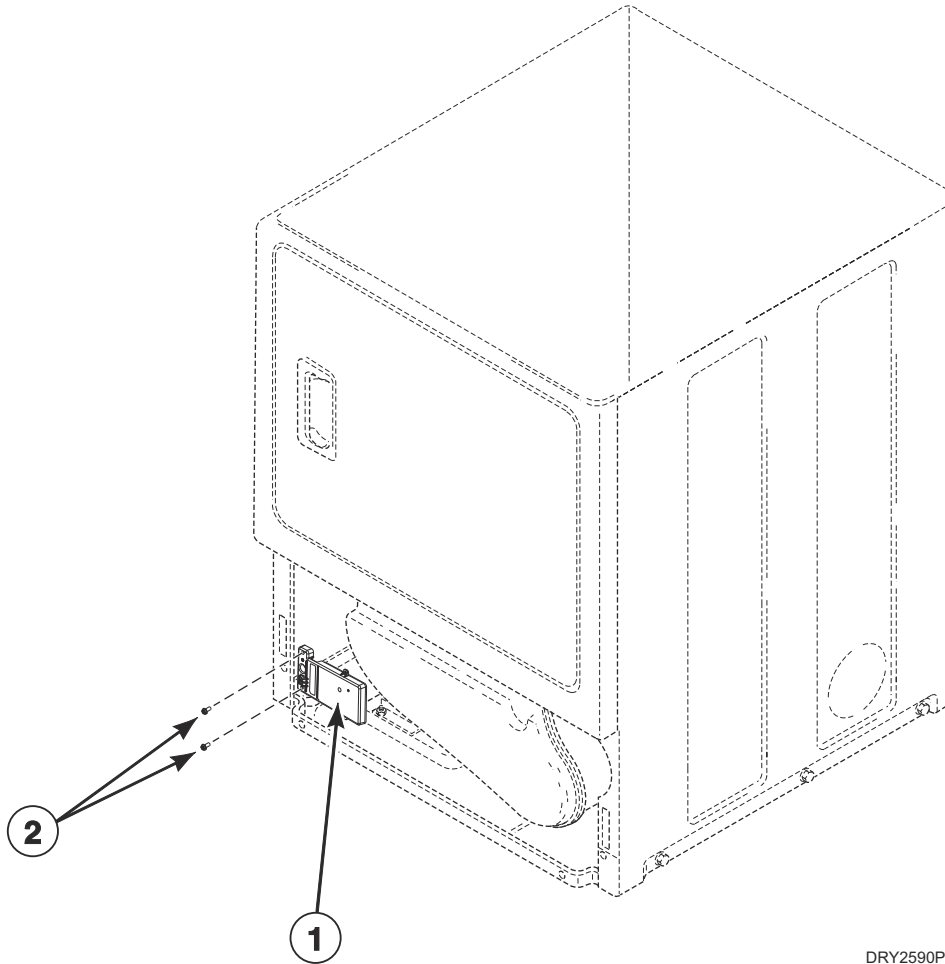
Wire Harnesses and Wires - Rear Control Models

REF	PART NO.	DESCRIPTION	COMMENTS
	205550	Laundry IQ Internal Retrofit Kit	Models starting 1601000001
	45001	18 Gauge Wire	Black; Order wire by foot; Order terminals and connectors as required
	45380	12 Gauge Wire	Orange; Order wire by foot; Order terminals and connectors as required
	D517236	Broken Belt Harness	
	D516367	Gas Valve Harness	
1	D512422P	Wire Harness Assembly	All other models
	D516367	Gas Valve Harness	Model SDGNYRGS116TW01
2	D517969	Gas Harness	Models SDGNCRGS116TW01, SDGNXRGS116TW01 and SDGNYRGS116TW01
	D517475	Gas Harness	All other models
	D517968	Electric Harness	Models SDENCRGS176TW01, SDENXRGS176TW01 and SDENYRGS176TW01
	D518972	Electric Harness	Models SDENCRGS176TWSS and SDENYRGS176TWSS
	D518973	Electric Harness	Models SDGNCRGS116TWSS and SDGNYRGS116TWSS
	D517474	Electric Harness	All other models

NOTE: Individual wires are not available separately. Order complete harness, or order wire by the foot. When applying terminals to wires, it is recommended that the terminals be soldered to the wires.

Sound Sensor

Models SDENCAGS176TWSS, SDENCRGS176TWSS, SDENYAGS176TWSS, SDENYRGS176TWSS,
SDGNCAGS116TWSS, SDGNCRGS116TWSS, SDGNYAGS116TWSS and SDGNYRGS116TWSS

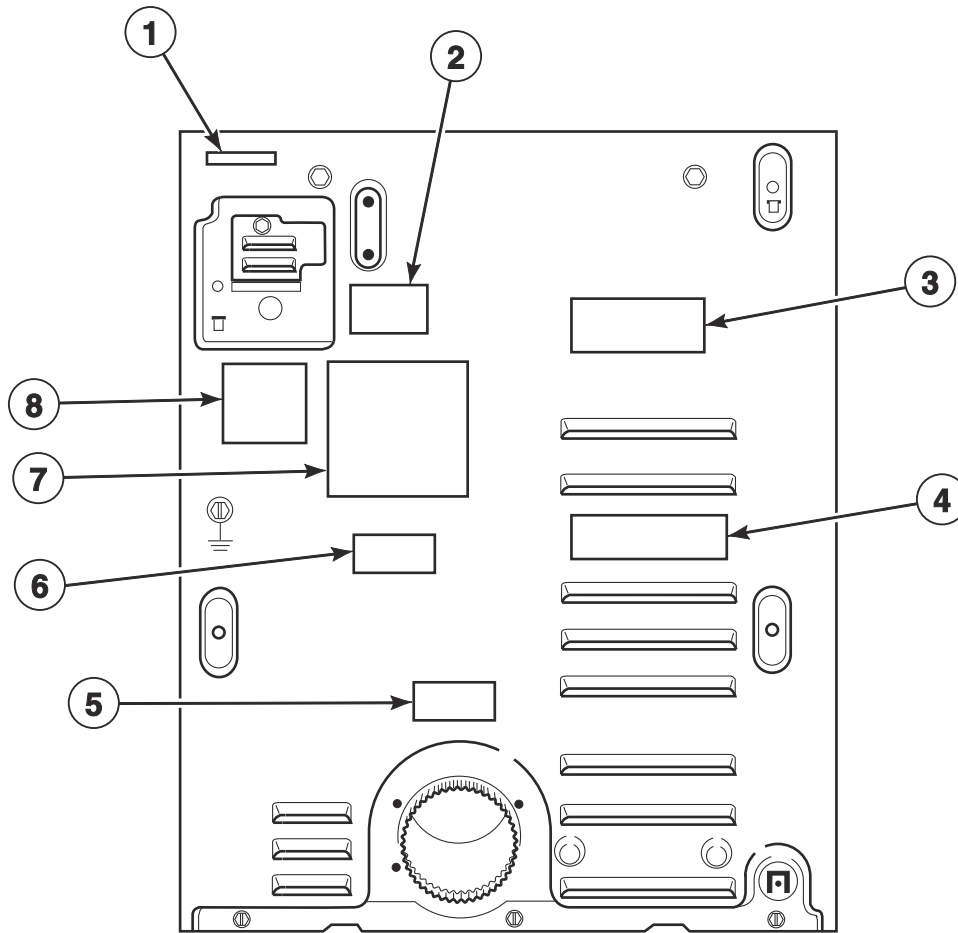


DRY2590P_D518057

Sound Sensor

REF	PART NO.	DESCRIPTION	COMMENTS
1	D518898	Power Supply Assembly	
2	205432	Sound Sensor	
3	203799	Screw	

Label Location on Rear of Cabinet



DRY2565P

Label Location on Rear of Cabinet

REF	PART NO.	DESCRIPTION	COMMENTS
1	D506072	Terminal Block Label	Models NDENXAGS543MW01 and SDENXAGS543MW01
2	807561	Warning Label	Model SDENYRGS173TW01
	803260	Warning Label	All other models
3	D502791	Venting Instruction Label	
4	D517312	Voltage Warning Label	208 Volt
	D505215	Gas Label	
5	44321601	Warning Label	Icon
	D502507	Exhaust Warning Label	Icon
6	D500497	Exhaust Warning Label	
7	D511005	Electric Clearance Label	English; Electric models; Models NDENXAGS543MW01, SDENCAGS176TWSS, SDENCRGS176TWSS, SDENXAGS543MW01, SDENYRGS176TWSS and SDGNYRGS116TWSS
	D511004	Gas Clearance Label	Gas models SDGNCAGS113TW01, SDGNCAGS116TW01, SDGNCAGS116TWSS, SDGNCRGS113TW01, SDGNCRGS116TW01, SDGNCRGS116TWSS, SDGNXRGS113TW01, SDGNXRGS116TW01, SDGNYAGS113TW01, SDGNYAGS116TW01, SDGNYAGS116TWSS, SDGNYRGS113TW01, SDGNYRGS116TW01, SDGNYRGS116TWSS, SDGWCAGS113TW41, SDGWCRGS113TW42, SDGWXAGS113TW01, SDGWXRGS113TW02, SDGWYAGS113TW01, SDGWYAGS113TW41, SDGWYRGS113TW01 and SDGWYRGS113TW41; Models NDLENXAGS123MW01 and SDLNXAGS123MW01
	D505984	Clearance Warning Label	English/French; Electric models; Models NDENXAGS543MW01 and SDENXAGS543MW01
8	D516073	Notice Label	Read instructions

Parts Index

A

Access Panel Assembly D514250WP	35
Access Panel Plate D510903	53
Access Plate Cover D514356	53
Adhesive D511637P	39, 43
Air Duct Assembly D518431	39
D518433	39
Anti-Seize Compound 27604P	37
Audit Switch Bracket 800379	21

B

Blower Fan Assembly D510139P	37
Blower Housing D511969WP	37
Blower Housing Seal D510238P	37
Bolt 203798	11
29651	23, 31
Booster and Holding Coil 58804A	49
Bracket D510146	17
Broken Belt Harness D517236	65, 67, 69
Bumper Pad 56128	53
Burner Assembly D510149P	49

C

Cabinet Rear Panel D517566	53
Cabinet Side Panel D510001WP	53
D510002WP	53
Card Insert Overlay D514391	29
Central Pay Harness D511478	5
Clearance Warning Label D505984	73
Clip 201572	15, 27
Coin Box Extension Kit 803578P	11

Coin Cabinet Hardware Kit 547P3	53
Coin Drop 38963P	13, 25
70441601P	13, 25
Coin Drop Assembly 38462P	13, 25
38463	13, 25
Coin Drop Wire Harness 201104	15, 27
Coin Identification Paper 38725	15, 27
Combustion Duct D510131	47
Combustion Duct Assembly D518633	47
Connector, 2 Circuit 58799	61
Connector, 3 Circuit 58800	59
Control Assembly D517522	5, 7, 21
D518647	5, 7, 21
Control Hood D502567W	5
D511253W	7
Control Overlay D514367	5
D514368	7
D514369	21
D514480	21
D518059	21
D518077	5
D518078	7
D518405	21
Control Panel D510067W	5
D510220W	7
D511055W	7
803962WP	23
807774W	7
807812W	5
Control Panel and Bracket Assembly D513777W	21
807641W	21
Cylinder Assembly D510265WP	41
Cylinder Baffle D510102W	41
Cylinder Belt D511255P	37
Cylinder Glide D513710	39
Cylinder Glide Bracket D510145	39
Cylinder Roller D510708P	43
Cylinder Roller Bracket D510100	43
Cylinder Seal Assembly D510207P	39, 43

N/A items do not appear in index.

D

Damper	
58786	53
Directional Exhaust Kit	
528P3	53
Disconnect Power Warning Label	
D505281	17
Door Assembly	
D516510WP	33
Door Catch Assembly	
D510177	35
Door Handle Wedge	
D510129W	33
Door Liner Assembly	
D516508	33
Door Liner Grill	
D503870W	33
Door Pull and Wedge Kit	
D510103WP	33
Door Strike	
D510181	33
Drip Shield	
D514327	35
Dryer Base	
D514245	53
Dryer Door	
D510013WP	33
Dual Coin Harness Assembly	
202871	5
204915	15

E

Electric Clearance Label	
D511005	73
Electric Harness	
D517474	69
D517478	67
D517968	69
D517972	67
Electronic Coin Drop Kit	
CK113	15, 27
CK115	15, 27
End Cap	
210108W	7
210109W	7
Ethernet Gateway Kit	
NK320	5, 7, 19
Exhaust Duct	
D516196	53
Exhaust Warning Label	
D500497	73
D502507	73
Expansion Clip	
70030501	23, 29
Extractor Tool	
128P4	63
190P4	63

F

Felt Pad	
D510189	39
Female Piggyback Terminal	
00361	61
Female Pin Terminal	
00117	59
00128	59
00130	59
Female Spade Terminal	
00114	61
00115	61
00121	61
00124	61
00189	61
00222	61
00223	61
Female Tab Terminal	
00344	61
Female Terminal	
00188	63
00255	63
00256	63
Flexible Venting Kit	
521P3	53
Frame Gusset	
D510337	53
Front Bulkhead Assembly	
D510266P	39
Front Panel	
D510066WP	35
Front Panel Seal	
D511056	35
Fuse Notice Label	
61294	39

G

Gas Clearance Label	
D511004	39, 73
Gas Harness	
D517475	69
D517479	65
D517969	69
D517973	65
Gas Label	
D505215	73
Gas Valve Harness	
D516367	69
Gas Valve Mounting Bracket	
D510128	49
Gas Valve, Bracket and Pipe Assembly	
D517606	49
Glide Kit	
RB170003	39
Grounding Clip	
00161	61

H

Harness	
804832	5, 7
Harness Assembly	
802905	15
Harness Strap	
55881	59
Heat Duct Shroud	
D510101	47
Heater	
D510325P	45
Heater Assembly	
D510329P	45
Heater Duct Assembly	
D510705P	45, 47
D518526	45
Heater Kit	
964P3	45
Heater Kit Assembly	
61928	45
Hinge	
D511036	33
804676	31
Hold Down Kit	
526P3	53
Hood Back Panel	
804886	5
Housing, 10 Position	
D500338	63

I

Idler Lever	
D516310	37
Idler Lever and Wheel Assembly	
D516792	37
Idler Spring	
D510185	37
Idler Wheel and Bearing Assembly	
D510142P	37
Igniter and Bracket Assembly	
D510184P	49
Insulated Female Flag Terminal	
00221	61
Insulated Female Spade Terminal	
00359	61
00360	59

K

Key	
54612	21

L

Laundry IQ Internal Retrofit Kit	
205550	65, 67, 69

Lead-In Cord	
D518387	55
Lead-In Cord Assembly	
D516747	57
Leveling Leg	
D510135	53
Limit Thermostat	
D510701	45
D510702	47
Lint Filter	
D503980LG	39
Lint Filter Label	
502781	35
Lock Assembly	
807761	21
Lock Cam	
804338	21
807760	21
Lock Kit	
27260P	21
L.P. Conversion Kit	
458P3	49
L.P. Orifice	
D503786	51
58755	51

M

Machine ID Control Assembly	
203361P	5, 7, 21
Male Pin Terminal	
00116	59
00127	59
00129	59
Male Tab Terminal	
00139	61
Meter Case Assembly	
202877W	11
807396W	23
Meter Case Assembly Kit	
807401W	11
Meter Case Bracket Gasket	
35526	11
Meter Case Gasket	
26354	11
Meter Case Lockdown Bracket	
35525	11
Motor and Pulley Assembly	
D505869P	37
D511629P	37
Motor Hub Ring Kit	
590P3	37
Motor Mount	
D518517	37
Motor Mount Clamp	
D510180	37
Motor Pulley	
D500011	37
Motor Shield	
D514602	37
Motor Switch Bracket	
D516311	37

N/A items do not appear in index.

Mounting Tool Kit CK096	15, 27
----------------------------------	--------

N

Network Controller Kit NK220	5, 7, 19
Network Retrofit Kit 203328	5, 7, 19
Notice Label D516073	73
Nut	
201216	15
27222	17
28447	43
29786	11, 13, 25, 27
36020	31
44087101	11
44087201	23
44087301	37, 43
52566	5, 37
N.G. Conversion Kit 459P3	49
N.G. Orifice	
D503776	51
D503778	51
D503779	51
D503780	51
D510517	51

O

Operating Instructions Label	
D514393	23
D517764	29
D518482	23, 29
Opto Coupler 200674P	13
Outlet Cover	
D500820	45, 47
D518524	45, 47
Output Board Shield D514420	53
Output Control Assembly	
D517191P	53
D517319	53

P

Panel Locator 56079	35, 53
Pinch Warning Label F8615701	39
Plug	
23040	59
54522	59
Plug Housing, 1 Circuit 44370401	61
Plug, 2 Circuit	
56266	59
56448	59

Plug, 9 Circuit 23033	61
Power Supply Assembly D518898	5, 7, 19
Power Supply Harness D518898	71

R

Ratchet Extension Tool 310P4	63
Rear Access Panel 807646	23, 29
Rear Bulkhead Assembly D511082P	43
Rear Panel 804884	7
Receptacle Housing 90789	61
Receptacle, 1 Circuit 26301	61
Receptacle, 10 Circuit 34596	61
Receptacle, 12 Circuit D501333	61
56855	59
Receptacle, 2 Circuit 56451	59
Receptacle, 3 Circuit 23039	59
Receptacle, 6 Circuit 26708	61
Retaining Ring 23748	37, 43
Ring Terminal 00110	61
Roller Kit RB170002	43
Rubber Foot D501855	53

S

Screw	
D500226	33
D500824	37
D501086	7
D501285	39, 43
D501524	21
D502535	37
D503661	9
D503673	17
D503688 ...	5, 7, 17, 19, 21, 23, 29, 35, 37, 43, 45, 49, 53
D505295	39
D514428	53
02916	5
203799	71
20530	55, 57
23008	31
23222	45, 49
28448	43
2916	11

N/A items do not appear in index.

31260	37
33562	35
35528	5, 7
36048	11
39733	35, 53
51782	47, 49
52864	5, 7, 39
56124	49
61199	43
62588	41
62853	35
70240301	23, 29
804608	5, 7, 21
804667	53
Screw Orifice	
58719	51
Seal Kit	
RB170001	39, 43
Secondary Coil	
58804B	49
Security Cabinet Assembly	
804149WP	29
Security Kit	
905P3	5
Sensor	
D510213	49
Serial Pay Control Assembly	
807714	9
Serial Pay Harness	
F8713906	9
Service Door Assembly	
39874WP	11
Shaft	
56461P	37, 43
Shock Warning Label	
F8614201	39
Single Coin Harness Assembly	
202870	5, 25, 27
204914	5, 15, 27
Single Overlay	
38717	11, 23
Sound Sensor	
205432	71
Spade Terminal	
00245	61
Speed Clip	
28835	35
Strain Relief	
D517490	55
D517492	57
Switch	
D512973	21, 35
D516391	37
70529301	11, 23

T

Terminal	
00252	61
Terminal Block Assembly	
D510190P	43
Terminal Block Label	
D506072	73

Terminal Block Shield	
D517715	43
Terminal Extractor Tool	
283P4	63
Thermal Fuse Assembly	
D518542	45
Thermistor Assembly	
D510523	37
Top Hinge	
D510136	53
Top Kit	
D511527WP	17
Top Panel	
803868WP	31
Top Panel Kit	
D511530WP	17
Torx Bit	
281P4	63
282P4	63
292P4	63
Torx Drive Tool	
93501	63
Transformer	
202757	5, 7, 19, 27
Transformer Harness	
D514072	19
D514073	5, 7
804795	19

U

USB Gateway Kit	
NK330	5, 7, 19
USB IR Interface Kit	
203346	5, 7, 19
USB-NFC Interface Kit	
205256	9

V

Venting Instruction Label	
D502791	73
Voltage Warning Label	
D517312	73

W

Warning Label	
D500049	39
D500316	17
44321601	73
803260	73
807561	73
Warning/Caution Label	
D500281	35
D516512	35
Washer	
D504082	43
M400017	5, 11
28449	43
52549	37, 43

N/A items do not appear in index.

Wire Assembly	
D518255	45
D518256	45
Wire Clip	
D504034	59
687500	59
Wire Guard	
201595P	13, 25
Wire Harness Assembly	
D512422P	65, 67, 69
Wireless Network Harness	
F8674006	7, 21
Wireless Network Kit	
204689	5, 7, 21
Wire, 12 Gauge	
45380	65, 67, 69
Wire, 18 Gauge	
45001	65, 67, 69
Wiring Harness Assembly	
202868	21
202869	7
Wrapper Assembly	
804104W	23
804112W	29
