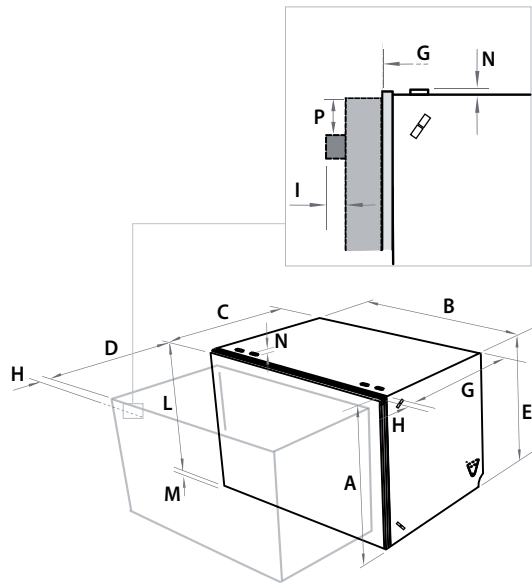


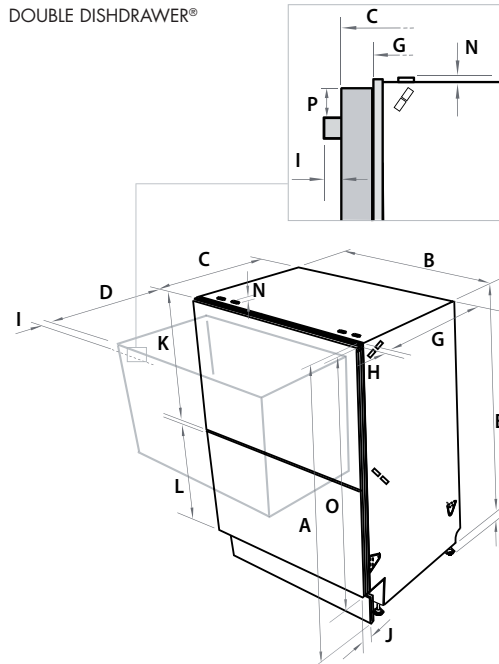
SINGLE AND DOUBLE DISHDRAWER® PRODUCT DIMENSIONS

Stainless Steel DD24SUT, Stainless Steel DD24DUT6, Integrated DD24STI6V2 & Integrated DD24DTI6V2

SINGLE DISHDRAWER®



DOUBLE DISHDRAWER®



PRODUCT DIMENSIONS (INCHES)

	Stainless Steel Flat Door DD24SUT	Stainless Steel Flat Door DD24DUT6	Panel Ready Integrated Door DD24STI6V2	Panel Ready Integrated Door DD24DTI6V2
A Overall height* of product (incl. drawer front height)	17 13/16"	34 - 36 3/8"	18 3/4"	34 - 36 3/8"
B Overall width of product	23 13/16"	23 13/16"	23 9/16"	23 1/16"
C Overall depth of product (excl. handle)	22 11/16"	22 11/16"	22 7/16"***	22 7/16"
D Depth of drawer (open) (excl. handle)	21 7/16"	21 7/16"	21 3/16"	21 3/16"
E Height* of chassis	17 13/16"	33 9/16"	17 13/16"	33 9/16"
F Height range of levelling feet	-	2 3/8"	-	2 3/8"
G Depth of chassis (incl. trimseal)	21 3/4"	21 3/4"	21 3/4"	21 3/4"
H Depth of drawer front panel (excl. handle)	1"	1"	1 1/16"	1 1/16"
I Depth of handle	2 5/8"	2 5/8"	n/a	n/a
J Depth of toe kick	-	2 1/4 - 4 5/8"	-	2 5/8 - 5"***
K Height of upper drawer front	-	17 3/8"	-	17 3/8" min
L Height of drawer front / Height of lower drawer front	17 3/8"	12 5/16"	18 1/2" min	12 5/16" min
M Height of venting area at base of product	3/8"	-	3/8"	-
N Height of installation bracket slots (on top of chassis)	1/16"	1/16"	1/16"	1/16"
O Height of drawer fronts	-	30"	-	30" min
P Height from the top of handle to the top of door	2 7/16"	2 7/16"	-	-

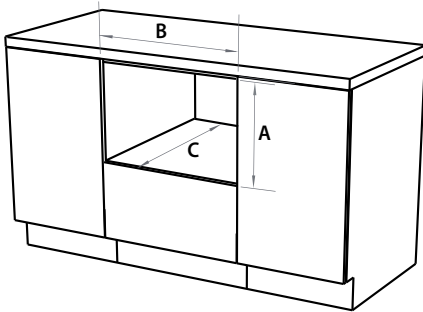
*Chassis heights include bracket slots. **Less the toe kick panel thickness (min panel thickness using supplied screws is 3/8"). ***Panel thickness - 11/16" (18mm)

Product dimensions and specifications are listed as a guide only. For complete installation instructions and specifications, refer to the product Use & Care Guide/Installation Instructions available at www.dcsappliances.com

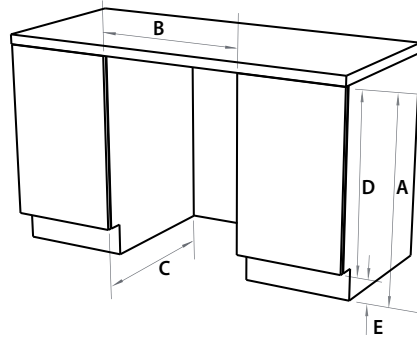
SINGLE AND DOUBLE DISHDRAWER® CABINETY DIMENSIONS

Stainless Steel DD24SUT, Stainless Steel DD24DUT6, Integrated DD24STI6V2 & Integrated DD24DTI6V2

SINGLE DISHDRAWER®



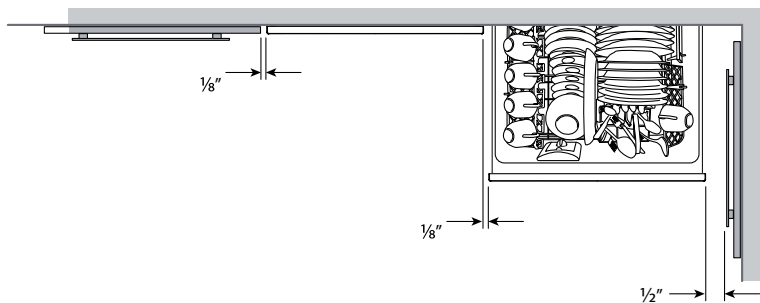
DOUBLE DISHDRAWER®



CABINETY DIMENSIONS (INCHES)

	Stainless Steel Flat Door DD24SUT	Stainless Steel Flat Door DD24DUT6	Panel ready Integrated Door DD24STI6V2	Panel ready Integrated Door DD24DTI6V2
A Inside height of cavity	17 ¹⁵ / ₁₆ "	34 - 36 ¹ / ₂ "	18 ⁷ / ₈ "	34 - 36 ¹ / ₂ "
B Inside width of cavity	24"	24"	23" ⁵ / ₈ "	23" ⁵ / ₈ "
C Inside depth of cavity (inside)	22 ⁷ / ₈ "	22 ⁷ / ₈ "	22 ⁷ / ₈ "	22 ⁷ / ₈ "
D Height of adjacent cabinetry	-	30"	-	30" min
E Height of toe kick space	-	3 ¹⁵ / ₁₆ " - 6 ⁵ / ₁₆ "	-	3 ¹⁵ / ₁₆ " - 6 ⁵ / ₁₆ "

MINIMUM CLEARANCES (INCHES)



Cavity height options for Integrated models:

To match existing kitchen cabinetry or the height of other appliances installed next to DishDrawer, you may choose to install DD24ST Integrated models into either a 17 ¹⁵/₁₆" (456 mm) or a 18 ⁷/₈" (480 mm) high cavity.

Note: the minimum height of the custom drawer front panel will also be different for these two options.