

RDW24I, RDW24S

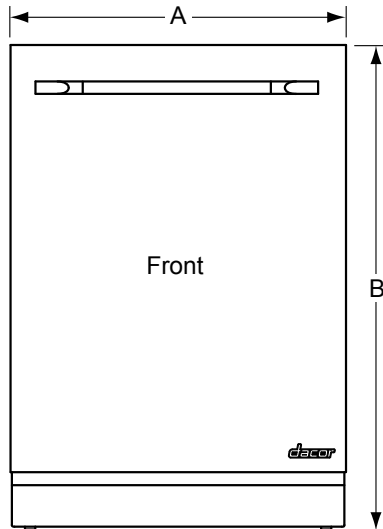


Renaissance® 24" Wide Built-In Dishwasher

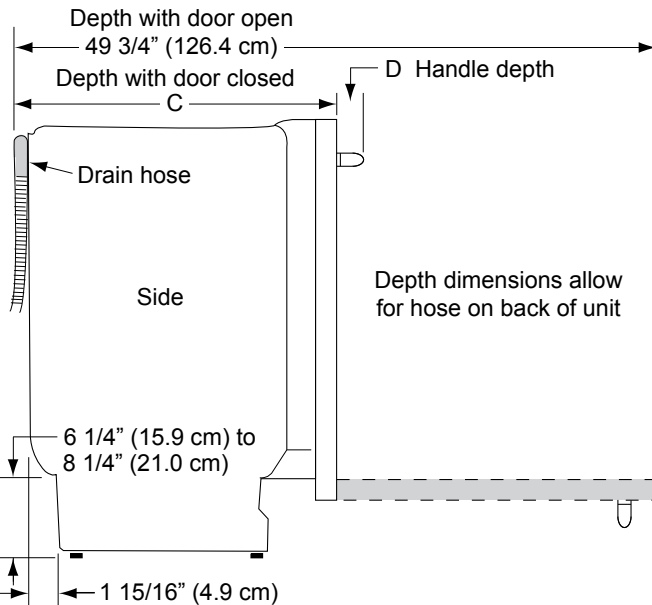
PLANNING GUIDE

Product Dimensions

Product tolerances: ±1/16" (±1.6 mm) otherwise stated



Approximate Shipping Weight
117 lbs. (53 kg.)



WARNING

- Observe all governing codes and ordinances during planning and installation. Contact your local building department for further information.
- This appliance must be installed in accordance with the accompanying installation instructions.

	Model RDW24I	Model RDW24S
Front Panel Type	Integrated front panel ²	Stainless steel
(A) Width	23 1/2" (59.7 cm)	24" (61.0 cm)
(B) Height	33 7/8" (86.0 cm) to 36 1/2" (92.7 cm) ⁴	34 3/8" (87.4 cm) to 36 1/2" (92.7 cm)
(C) Depth	22 7/8" (58.1 cm) ⁵	22 7/8" (58.1 cm)
(D) Handle Depth	Varies with configuration	Epicure®: 2 1/2" (6.4 cm) ¹ Millennia®: 2" (5.1 cm) ²

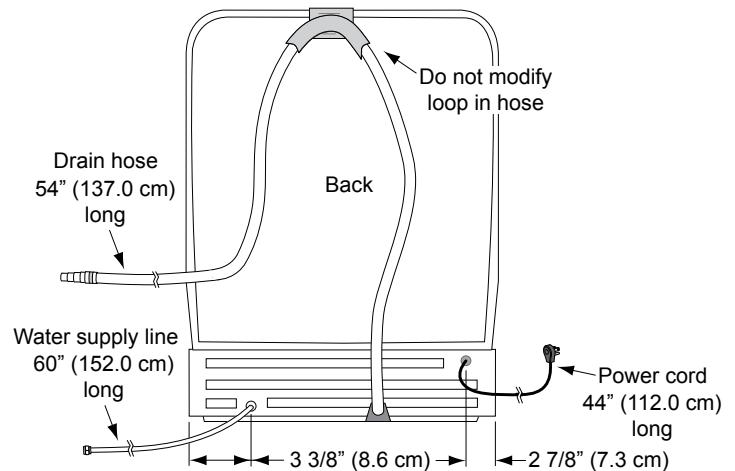
¹ Epicure handle PN: ADWE24HCH (chrome) or ADWE24HB (glossy black)

² Millennia handle PN: ADWM24H (polished) or ARDWMH24 (brushed)

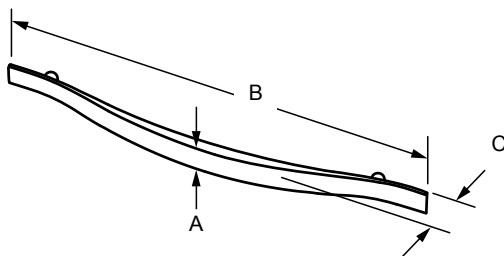
³ Model RDW24I requires installation of either a Dacor glass panel kit (order from your Dacor dealer), or a customer provided, custom overlay door panel. A custom overlay panel allows you to blend the exterior of your dishwasher into the overall kitchen décor. See page 2/3 for more information.

⁴ Height with required trim kit installed.

⁵ Without custom front panel installed.

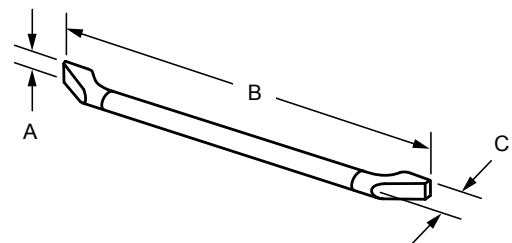


UTILITY CONNECTION DIMENSIONS



A = 1 3/8" (3.5 cm) B = 23" (58.40 cm) C = 2" (5.1 cm)

MILLENNIA STYLE HANDLE DIMENSIONS
(PART NUMBERS ADWM24H AND ARDWMH24)



A = 7/8" (2.2 cm) B = 18 1/2" (47.0 cm) C = 2 3/8" (6.0 cm)

EPICURE STYLE HANDLE DIMENSIONS
(PART NUMBERS ADWE24HCH AND ADWE24HB)

RDW24I, RDW24S



Renaissance 24" Wide Built-In Dishwasher

PLANNING GUIDE

Electrical Specifications

Dedicated Circuit Required	Total Connected Load
Grounded, 3-prong, electrical outlet supplied by 120 Vac, 60 Hz, 15 Amp. (circuit breaker)	11 Amp. @ 120 Vac, 60 Hz.

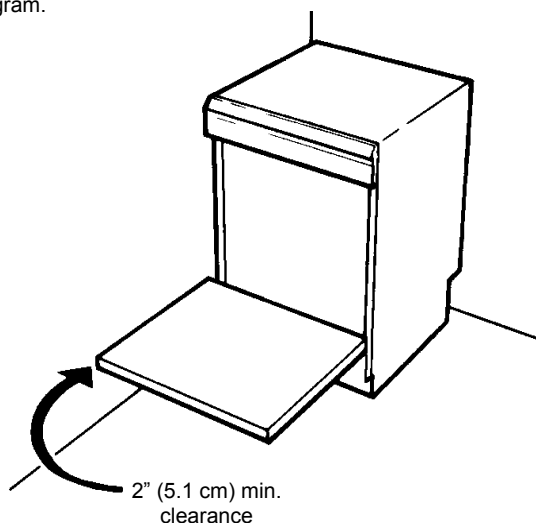
- The above specifications are for reference only. For exact specifications see the product data label, located inside the right door.
- Do not modify the power cord or use an extension cord. The power cord may be disconnected from the appliance and hard-wired to a junction box connected to a circuit meeting the above specifications if the power cord is not long enough.

Water Supply Specifications

- Water Pressure:** The water supply pressure must be between 4.2 and 140 psi (30-1000 kPa). The water supply line and the shut-off valve must supply a flow volume of at least 3 gallons (12 liters) per minute.
- Water Supply Temperature:** The dishwasher can be connected to a cold or hot water supply (maximum 160°F, 70°C). Dacor recommends using a hot water supply of 120°F (49°C) to 140°F (60°C). If a cold water supply is used, the washing times will be longer, but the performance will not be affected.
- Water Supply Valve Requirement:** 3/8" water supply valve for connection to dishwasher's water supply line is required in a location where it is easily accessible after the dishwasher is installed. The dishwasher water supply line is equipped with a 3/8" (1.0 cm) NPT female compression fitting on the end.

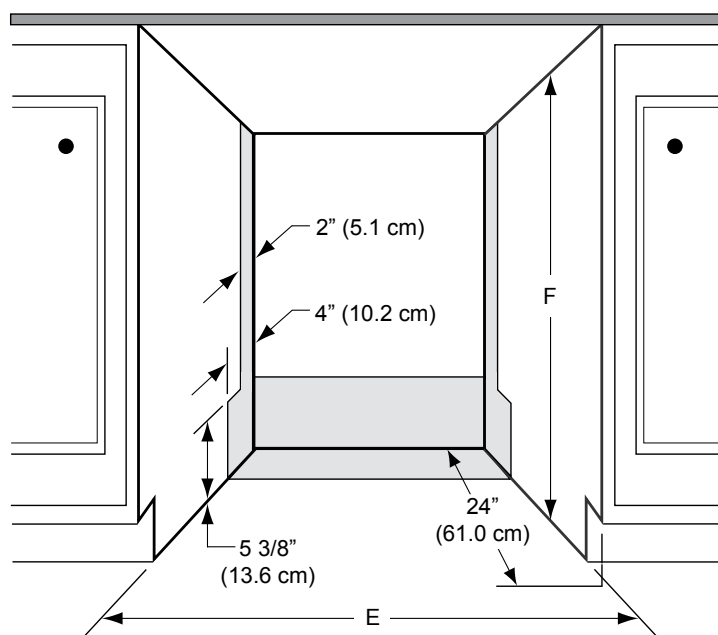
Location Specifications

- Install in a location with convenient access, close to the kitchen sink for easy water supply and drain connection. All minimum product dimensions must be met or exceeded. Dimensions shown on this page provide the required clearances.
- The cabinet must enclose the dishwasher on top, back and sides.
- Plan the installation so that the appliance can be removed easily if service is required. The electrical outlet/junction box, water supply valve and drain connection must be installed to the right or left of the cutout and accessible when dishwasher is installed.
- If dishwasher is installed in a corner, there must be a minimum clearance of 2" (5.1 cm) from the side wall so the door can open. See diagram.



- Floor must be solid and level. All cutout surfaces must be at right angles. Surrounding cabinet must have sufficient material for attachment of the anti-tip brackets (see installation instructions).
- The electrical wiring, water supply and drain lines must enter through the area indicated by the shading on the illustration below. Preferably, they should come through the right side of the cabinet.
- The access hole(s) in the cabinet for the power cord and water line shall be no bigger than 1-1/2" (3.8 cm) in diameter. The access hole for the drain hose shall be no bigger than 2" (5.0 cm) in diameter. The access holes for all three must be round and smooth. If the partition is metal, it needs to be covered with an edge protector. Call Dacor for the part number of an approved edge protector.

Cutout tolerances: +1/16" (+1.6 mm), -0



DISHWASHER CUTOUT - FRONT VIEW

Model	(E) Cutout Width	(F) Cutout Height
RDW24I*	23 5/8" (60.0 cm) to 24" (61.0 cm)	33 7/8" (86.0 cm) to 36" (91.4 cm)
RDW24S**	24" (61.0 cm)	34 3/8" (87.3 cm) to 36 1/2" (92.7 cm)

*If installing model RDWH24I in a 24" wide cutout installation of a trim kit (Dacor PN 106925) is required to fill the space between the edge of the cutout and the dishwasher.

** If the height of the existing cutout is too low:

- Check to see if the cabinet face can be trimmed at the top. In many cases, when a non-standard size dishwasher has been installed previously, there is enough room inside the cabinet once the cabinet face is modified.
- The dishwasher can be shortened 1/4" (6.0 mm) by not installing the plastic feet provided with the unit. Extra care must be taken if the feet are not installed. Dacor is not responsible for floor damage during installation.
- The dishwasher can be shortened 1/4" (6.0 mm) by removing the trim pieces that surround the wash compartment opening. **NOTE:** Doing so will create a gap of 1/4" (6.0 mm) on the right and left side of the door.

RDW24I, RDW24S



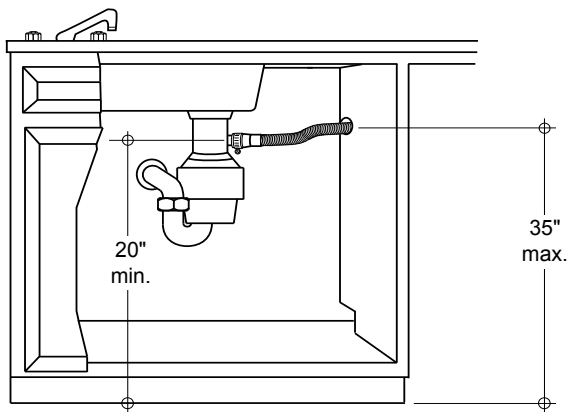
Renaissance 24" Wide Built-In Dishwasher

PLANNING GUIDE

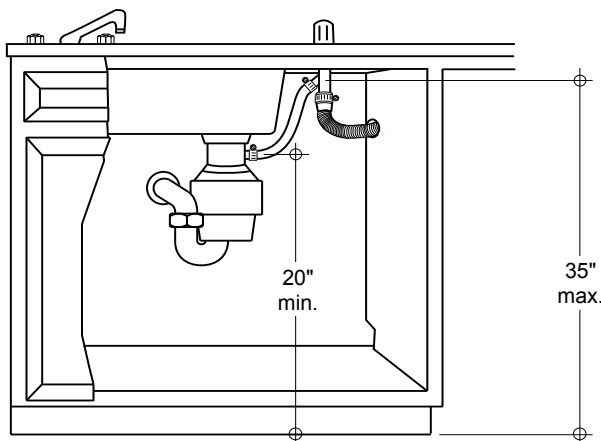
Drain Specifications

IMPORTANT: Should a drain hose longer than the one provided be required, use a hose extension approved for detergents and high temperature water. Total drain hose length (including factory installed hose) must not exceed 10 feet. (304.8 cm) from the top of the drain loop on the back of the unit. Joints and joint tubes must have a minimum inside diameter of 7/8" (2.2 cm).

- The drain hose supplied with the dishwasher must be connected to a minimum 1/2" inside diameter drain connection. The drain hose is equipped with a cone-shaped connector on the end that is ready to be cut to the desired drain connection size. Only a clamp (not provided) is required. It fits drain connections with an internal diameter of 1/2, 5/8, 3/4 and 7/8 inches (1.3, 1.6, 1.8 and 2.2 cm).
- You must install an air gap in the drain system if required by local codes. Plan for the air gap in the sink or countertop area adjacent to the dishwasher. A section of drain hose (not provided) needs to be installed from the air gap to the waste disposer inlet or waste tee. See below.
- If an air gap is not required, the drain hose must be installed to a disposer inlet or waste tee above the sink trap in the household plumbing.
- For proper drainage, the drain line connection must be a minimum of 20" (50.8 cm) above the bottom of the dishwasher. No part of the drain hose can be lower than the disposer or waste tee connection or higher than 35" (88.9 cm) from the bottom of the dishwasher.



EXAMPLE OF DRAIN CONNECTION WITHOUT AIR GAP



EXAMPLE OF DRAIN CONNECTION WITH AIR GAP

Custom Panel/Handle for Model RDW24I

- The custom panel mounting screws are provided with the dishwasher. Follow the panel dimensions below to ensure that the custom overlay panel will fit properly.
- The handle and handle mounting hardware are not included with model RDW24I. A handle designed for use with an appliance should produce satisfactory results. Do not use a knob or handle attached by a single fastener. Instead use a handle with a larger D-style pull. The panel craftsman must determine and obtain the proper handle fasteners for the application. Handle screw heads must be countersunk into the panel before panel installation.

(G) Height	(H) Width	(J) Thickness
30 1/8" (76.5 cm)	23 3/4" (60.3 cm)*	3/4" (1.9 cm) min.

* Based on 24" (61.0 cm) wide cutout. Recommended panel width is 1/4" (6.4 mm) less than cutout width.

IMPORTANT: If the door panel weighs more than 15 pounds, you must order the optional heavy duty door springs (Dacor PN 701385). Maximum panel weight with heavy duty springs: 23 pounds.

