

## GLOWTONE SERIES

### Topmount Single Bowl

**Model 2522-9BS3** 3 holes

**2522-9BS4** 4 holes



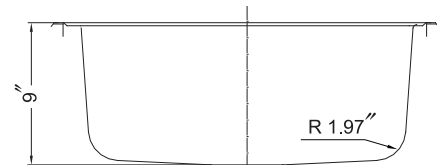
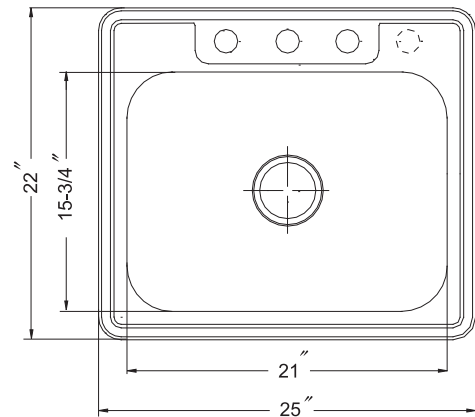
2522-9BS

### FEATURES

- Premium grade T-304 stainless steel
- 9" depth • 18 gauge • 3 or 4 holes
- StoneGuard™ undercoating over Super-Silencer pad
- Lustrous satin with highlighted rim
- Fits 30" sink base
- 3-1/2" drain opening
- Supplied with fasteners and instructions
- Complies with ASME A112.19.3-2000, UPC®
- Lifetime Limited Warranty



ASME A112.19.3-2000



### OPTIONAL ACCESSORIES

Bottom Grid: BG-2500

Cutting Board : CB-2500

Rinsing Basket : RB-2500

Strainer: 190-9180

OVERALL DIMENSIONS	EACH BOWL	CUTOUT SIZE	PACKAGING*	WEIGHT*
25" x 22"	21" x 15-3/4"	24-1/4" x 21-1/4"	1/16/20 pcs.	14/260/280 lbs.

\*Standard packaging: Single boxed /Pallet of single boxed/Pallet of bulk pack.  
All dimensions are in inches. Specifications subject to change without notice.

Project/Job name \_\_\_\_\_

Architect/Engineer \_\_\_\_\_

Contractor \_\_\_\_\_

Model \_\_\_\_\_ Q'ty \_\_\_\_\_

Notes \_\_\_\_\_

### Installation profile

