



Shallow-Depth Series 18" Depth Refrigerator

- HH24RS-1L HH24RS-1R HH24RS-2L HH24RS-2R
- HH24RS-3L HH24RS-3R HH24RS-4L HH24RS-4R

Job _____
 Area _____
 Item No. _____
 Model No. _____



HH24RS-3L



HH24RS-1L

Features

- 32" height with leveling legs
- Designed for maximum capacity while adhering to strict 34-inch counterheight ADA-compliant requirements
- 18" depth for design flexibility
- Zero-clearance hinging allows for abutment with surrounding cabinetry
- Best in Class 700 Btu commercial-grade compressor
- Front-vented, RAPIDcool forced-air refrigeration system
- Commercial-grade stainless steel interior
- **Industry-Exclusive** convertible door design allows all doors the ability to be converted to wood overlay from stainless steel
- Low E, UV coated glass provides industry leading insulation and protection.

Refrigerator Features

- Available with solid stainless steel door, solid wood overlay door, glass with stainless trim door or glass with wood trim door
- **Industry Exclusive** full-extension pull-out shelves makes finding items and restocking your refrigerator easy
- Full-extension shelves are adjustable
- Stainless steel ball bearing glides provide smooth movement of shelves
- Refrigerator rated for both food and beverage storage
- Refrigerator temperature 33° - 39°F

Luxury YOU DESIRE

INNOVATION YOU CAN'T LIVE WITHOUT

Form No.080210
Rev. 10.06.10



8300 W. Good Hope Rd. • Milwaukee, WI 53223
 1-800-558-5592 • Fax: (414) 353-7069 • perlick.com

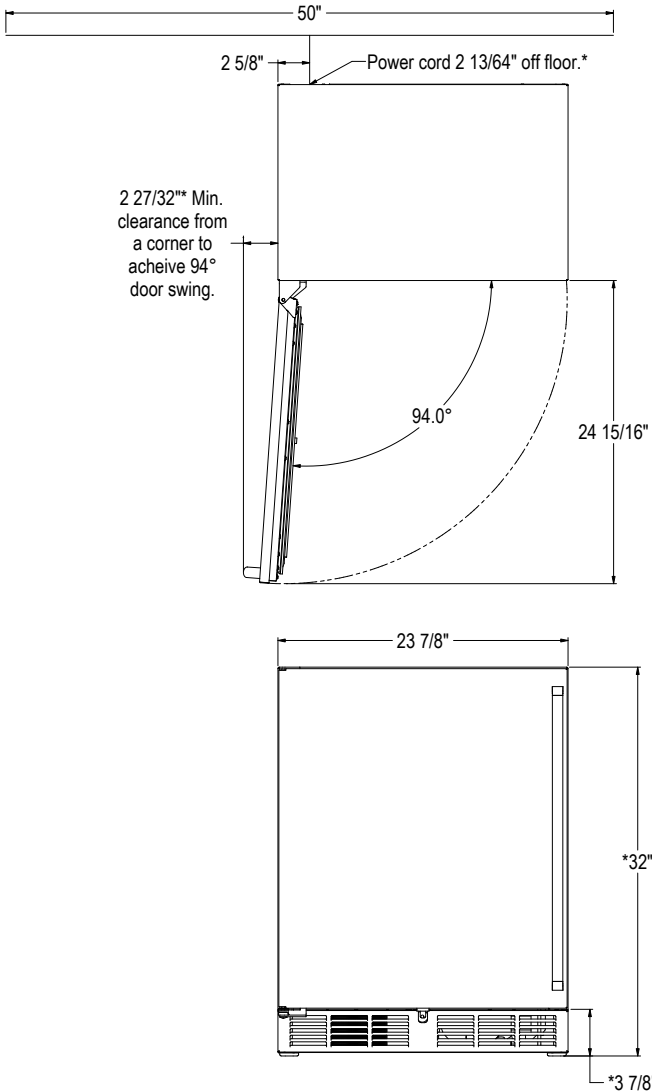
Perlick is committed to continuous improvement. Therefore, we reserve the right to change specifications without warning.

Shallow-Depth Series

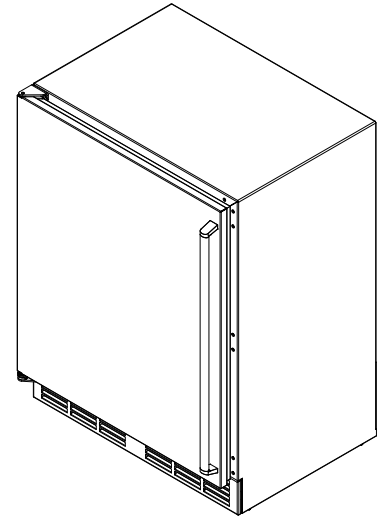
Refrigerators	
HH24RS-1L	18" depth One Door Cabinet with solid stainless steel door hinge left
HH24RS-1R	18" depth One Door Cabinet with solid stainless steel door hinge right
HH24RS-2L	18" depth One Door Cabinet with integrated solid wood overlay door hinge left
HH24RS-2R	18" depth One Door Cabinet with integrated solid wood overlay door hinge right
HH24RS-3L	18" depth One Door Cabinet with stainless steel glass door hinge left
HH24RS-3R	18" depth One Door Cabinet with stainless steel glass door hinge right
HH24RS-4L	18" depth One Door Cabinet with integrated wood overlay glass hinge left
HH24RS-4R	18" depth One Door Cabinet with integrated wood overlay glass hinge right

24" Electrical: 115V, 60 Hz, 1 Phase, 2.3 amps
Plumbing: None Required
Shipping Weight: 185 lbs
Refrigerated Volume: 3.8 cubic ft.

***See installation manual for Electrical Receptacle location**



*- Leg levelers can add 3/4" to these dimensions when fully extended.



**-. Value may change due to custom pull with a wood overlay door.



8300 W. Good Hope Rd. • Milwaukee, WI 53223
1-800-558-5592 • Fax: (414) 353-7069 • perlick.com

Perlick is committed to continuous improvement. Therefore, we reserve the right to change specifications without warning.