

PERFORMANCE DATA NO LOAD AND NO DOOR OPENINGS AT MID-POINT CONTROL SETTING				
Capacitor Run or Induction Run	65°F (18°C) Ambient	90°F (32°C) Ambient		
Operating Time	25 to 35%	45 to 55%		
Freezer Temperature	2° to 8°F -17° to -13°C	0° to 5°F -18° to -15°C		
Refrigerate Temperature	35° to 40°F 2° to 4°C	35° to 40°F 2° to 4°C		
Low Side Pressure (cut-in)	8 to 16 psig 55 to 110 kPa	8 to 16 psig 55 to 110 kPa		
Low Side Pressure (cut-out)	1 to 4 psig 7 to 28 kPa	1 to 4 psig 7 to 28 kPa		
High Side Pressure (Last 1/3 of cycle)	110 to 120 psig 758 to 827 kPa	150 to 175 psig 1034 to 1207 kPa		
Wattage (Last 1/3 of cycle)	140 to 185	140 to 185		
Amps (Running)	1.1 to 1.6	1.1 to 1.6		
Base Voltage	115 VAC (127 VAC Max)	115 VAC (127 VAC Max)		
DEFROST SPECIFICATIONS				
Cabinet Size	Thermostat		Heater	
	Cut-in	Cut-out	Watts	Ohms
18' & 21'	25°F -4°C	47°F 8°C	375	35
14', 15' & 17'	25°F -4°C	47°F 8°C	325	41
Mechanical Timer - Defrost 30 Minutes Every 10 Hours of Compressor Run Time Electronic Timer (ADC) Defrost Up To 24 Minutes Every 6 - 72 Hours of Compressor Run Time				
CONDENSER FAN MOTOR				
Watts	RPM	Amps		
2.3	1100 CW Opposite Shaft	.15 Running		
ICE MAKER SPECIFICATIONS				
Electrical	115 VAC (127 VAC Max)	60 Hertz		
Thermostat	Opens at 48°F (9°C)	Closes at 15°F (-9°C) Models with Orange wire close at 8.96F (-12.8C)		
Heater Wattage	165			
ICE MAKER CONNECTOR PLUG CONNECTIONS				
Wire Number	Wire Color	Connects to:		
1	Green/Yellow	Ground		
2	Yellow	Water Valve		
3	Black	Line		
4	Lt. Blue	Neutral		

## SERVICE DATA SHEET

STANDARD - AUTOMATIC  
DEFROST TOP FREEZER  
MODELS (R134a) P/N: 241588203

### IMPORTANT SAFETY NOTICE

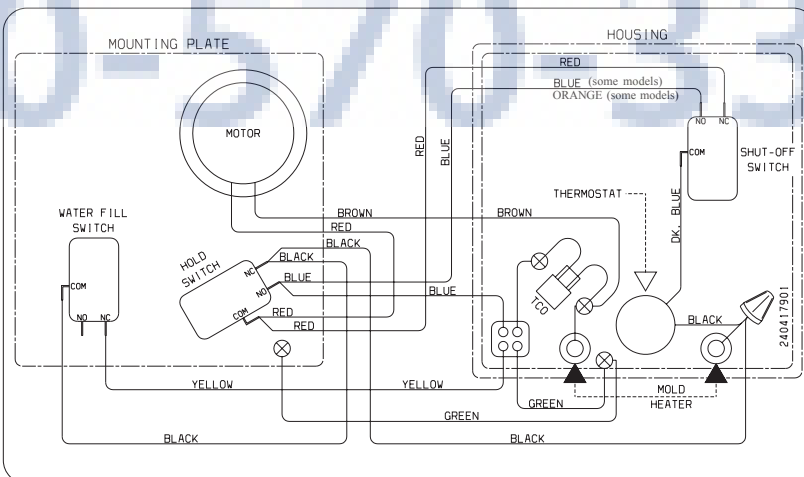
The information provided herein is designed to assist qualified repair personnel only. Untrained persons should not attempt to make repairs due to the possibility of electrical shock. Disconnect power cord before servicing.

### IMPORTANT

If any green grounding wires are moved during servicing, they must be returned to their original position and properly secured.

**CAUTION: All electrical parts and wiring must be shielded from torch flame. Do not allow torch to contact insulation; it will char at 200°F and flash ignite (burn) at 500°F. Excessive heat will distort the plastic liner.**

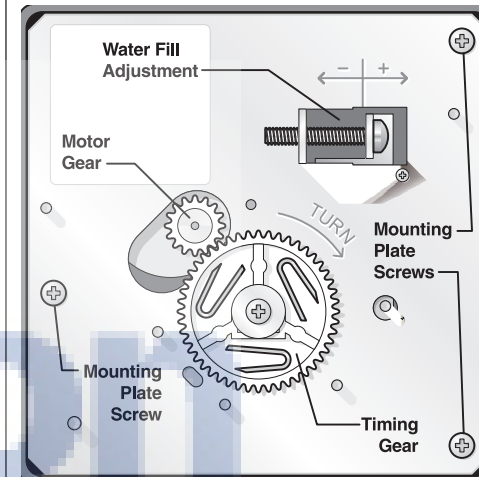
**NOTE: Some products come equipped with an Electronic Defrost Control. To initiate defrost, depress the fresh food light switch 5 times in 6 seconds (light bulb must be working). To terminate defrost, depress the fresh food light switch 5 times in 6 seconds.**



## ICE MAKER INFORMATION

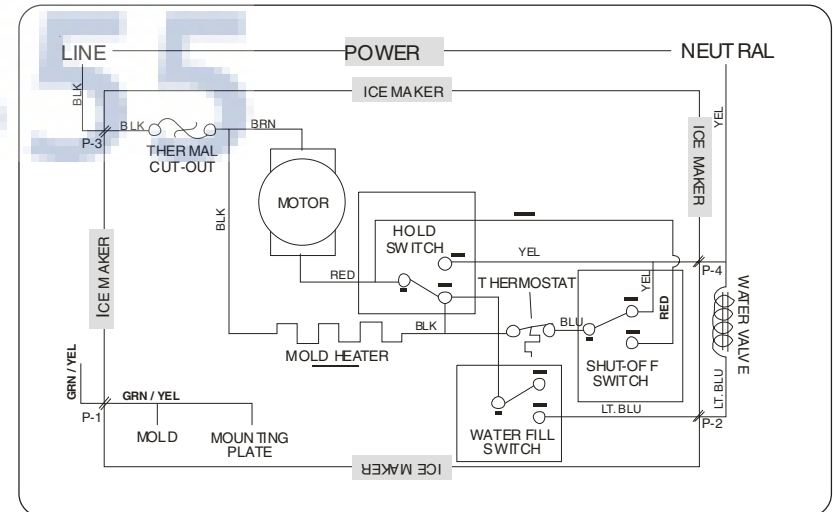
### Test Cycling

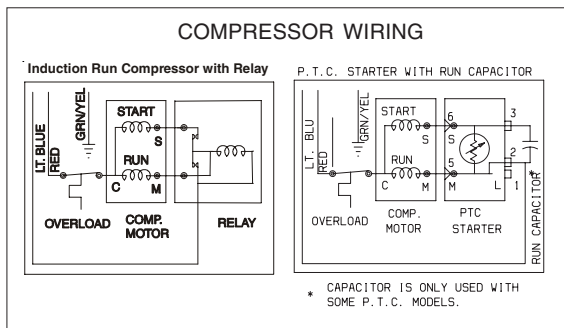
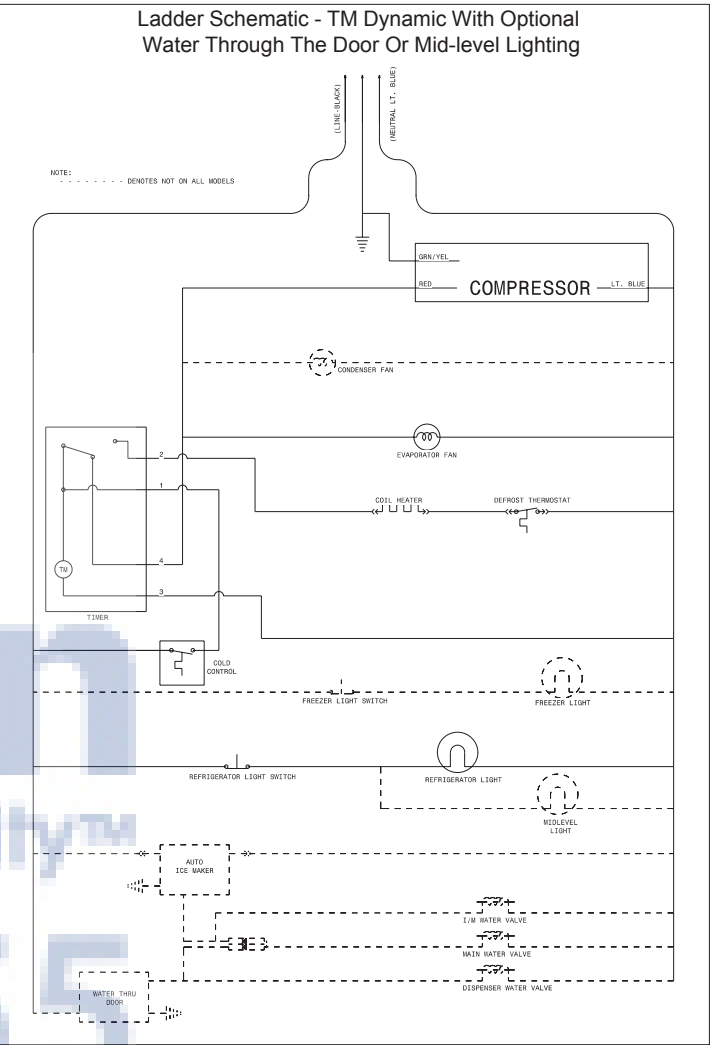
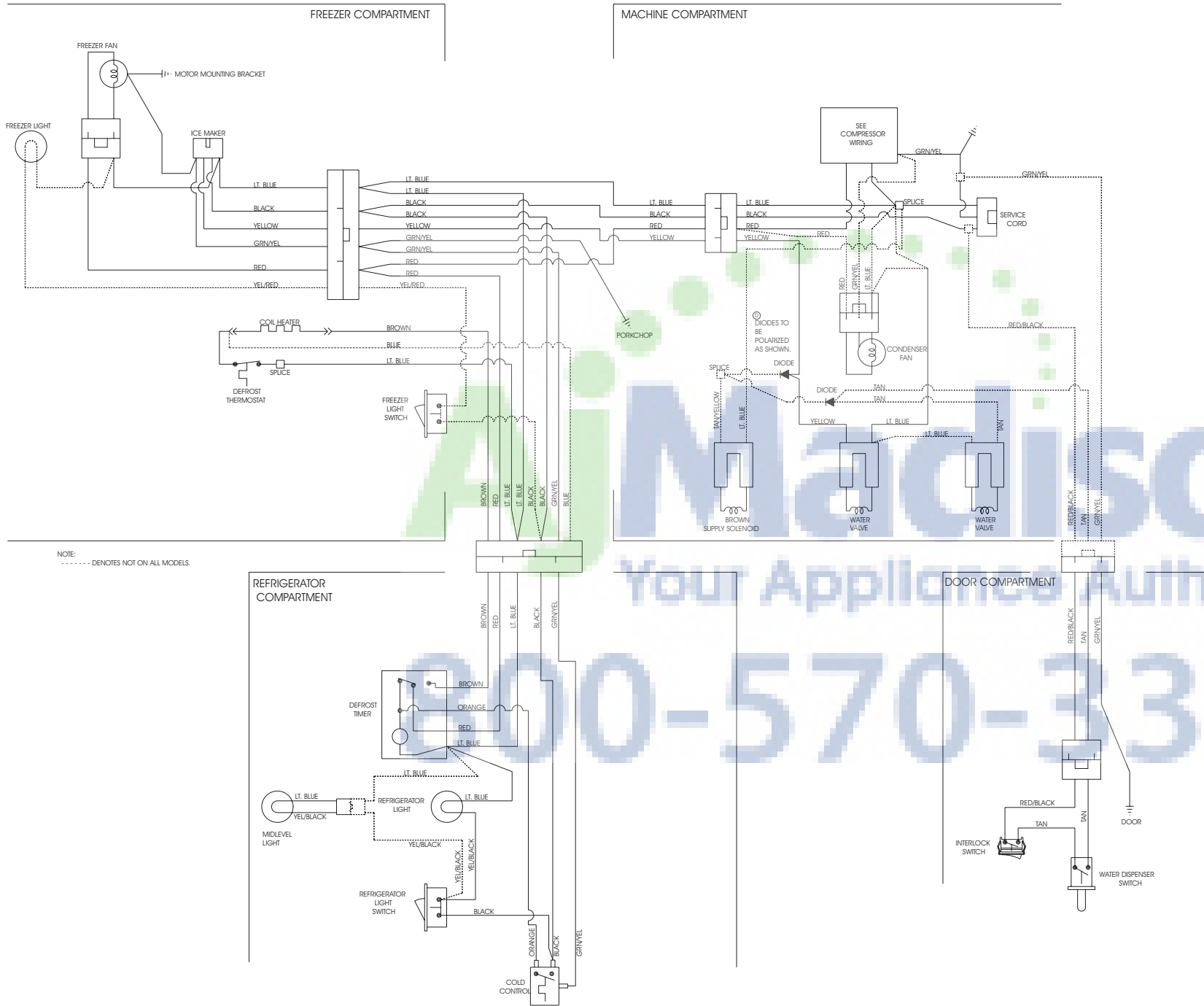
Remove cover by inserting screwdriver in notch at bottom and prying cover from housing. Use screwdriver to rotate motor gear counterclockwise until *Holding Switch* circuit is completed. All components of ice maker should function to complete the cycle.



### Water Fill Volume

The water fill adjustment screw will change the fill time. One full turn is equal to 20cc (.68 oz.). The correct fill is 95 to 105cc (3.2 to 3.6 oz.). When a water valve is replaced, the fill volume must be checked.





**Macliso**  
 Your Appliances Authority™  
 800-570-3355