

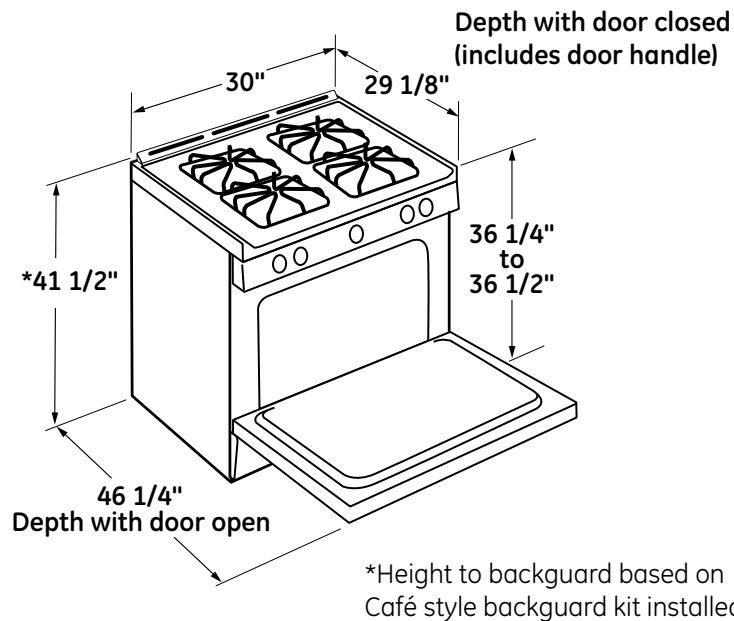
CGS975SEDSS

GE Café™ Series 30" Free-Standing Range with Storage Drawer

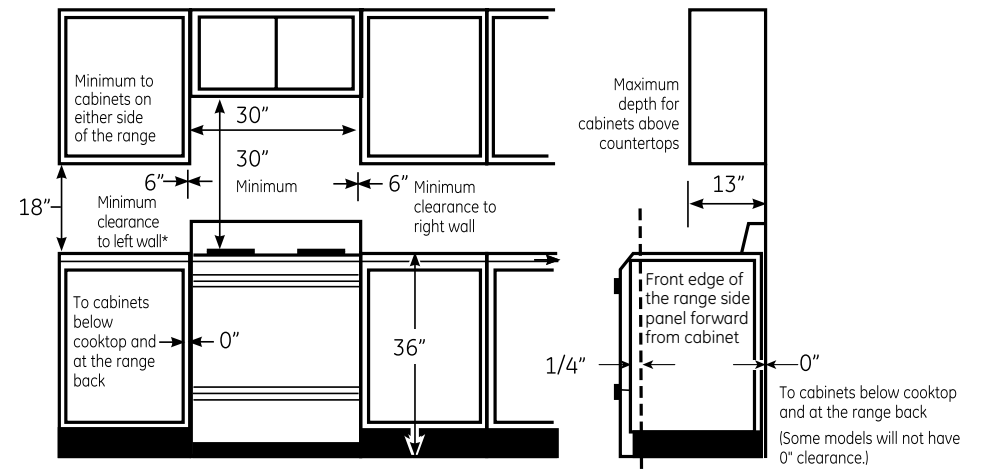
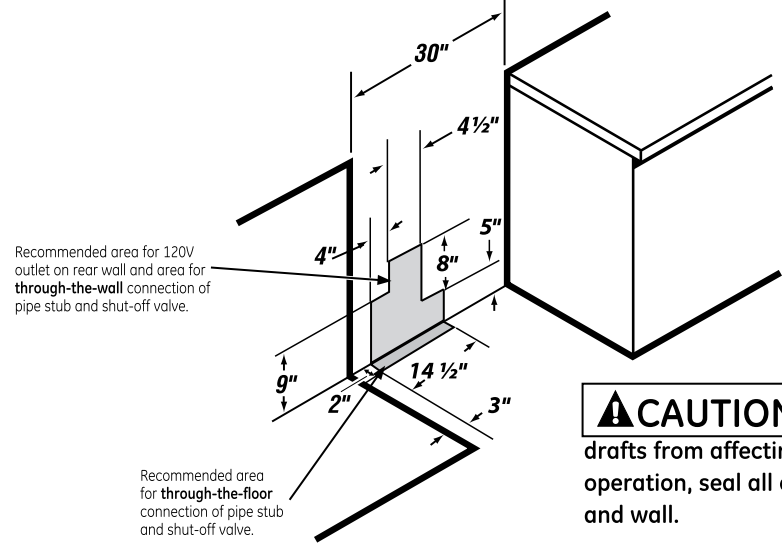
Dimensions and Installation Information (in inches)

Electrical Requirements: 120v; 60Hz, 15A

Installation information: Before installing, consult installation instructions packed with product for current dimensional data.



GAS PIPE AND ELECTRICAL OUTLET LOCATIONS



For answers to your Monogram® or GE® appliance questions, visit our website at geappliances.com or call GE Answer Center® service, 800.626.2000.



*ADA qualified based on Uniform Federal Accessibility Standards



All GE ranges are equipped with an Anti-Tip device. The installation of this device is an important, required step in the installation of the range.

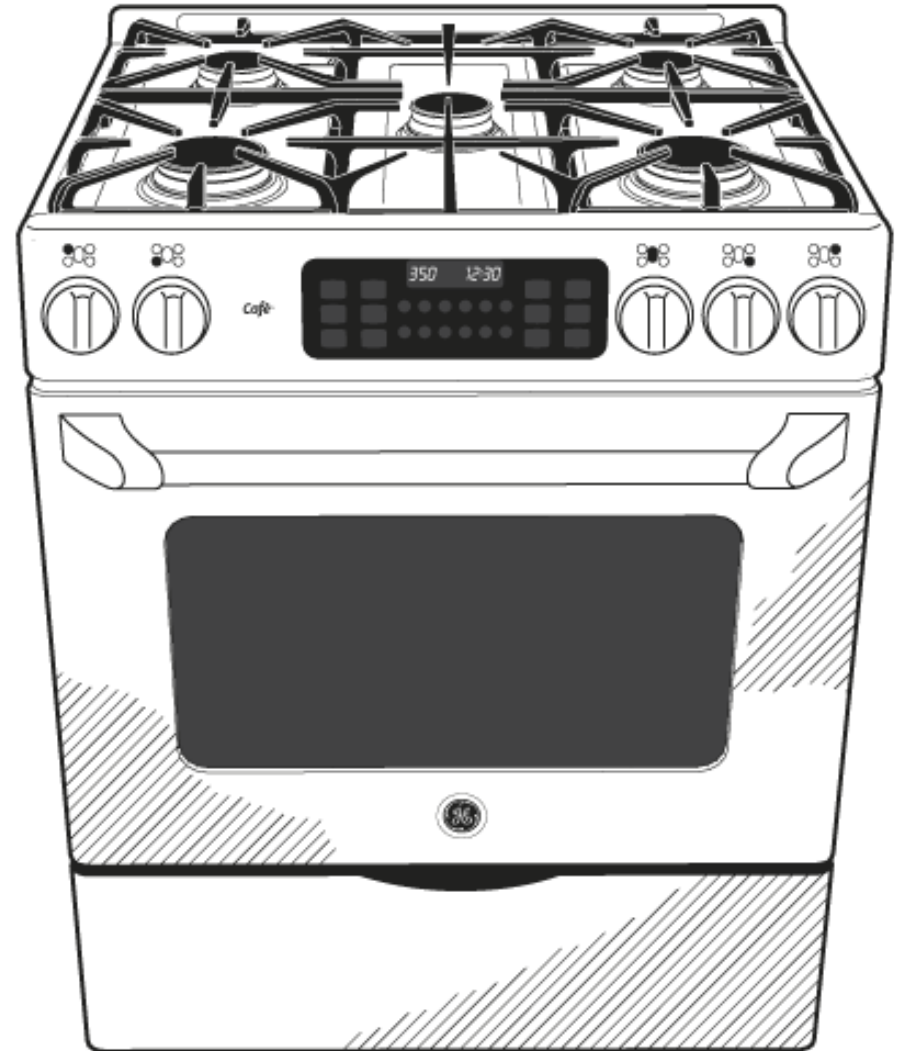


CGS975SEDSS

GE Café™ Series 30" Free-Standing Range with Storage Drawer

Features and Benefits

- Gas convection oven - Circulates heat for high-quality results
- 16,000 BTU Power Boil burner - Delivers intense heat for faster boiling
- Precise Simmer burner - Delivers a low setting of 140 degrees
- Self-clean oven - Conveniently cleans the oven cavity without need of scrubbing
- Stainless steel, deep-recessed cooktop - Contains spills for quick and easy cleaning
- Heavy-cast Edge-to-Edge grates - Allows for easy movement of pans between burners
- 5.4 cu. ft. oven capacity - More room for cooking more dishes at once
- Model CGS975SEDSS - Stainless steel



imagination at work