

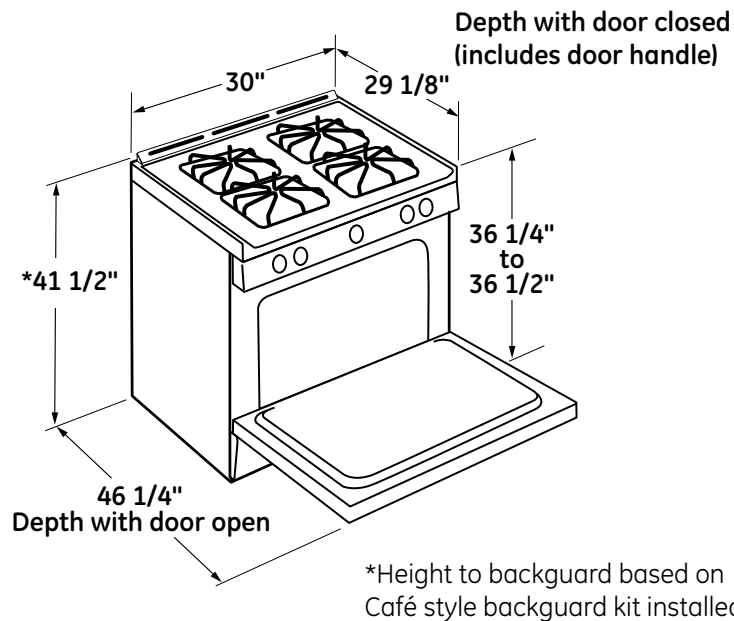
# CGS985SETSS

## Café™ Series 30" Free-Standing Range with Baking Drawer

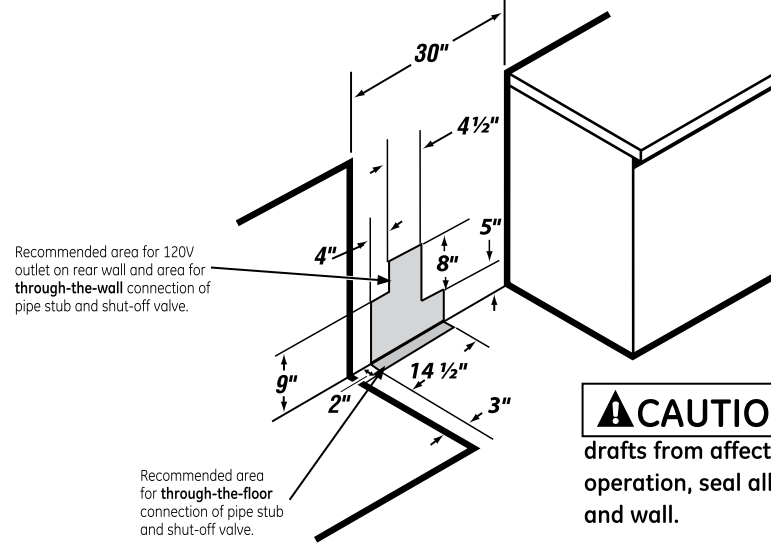
### Dimensions and Installation Information (in inches)

**Electrical Requirements:** 120v; 60Hz, 15A

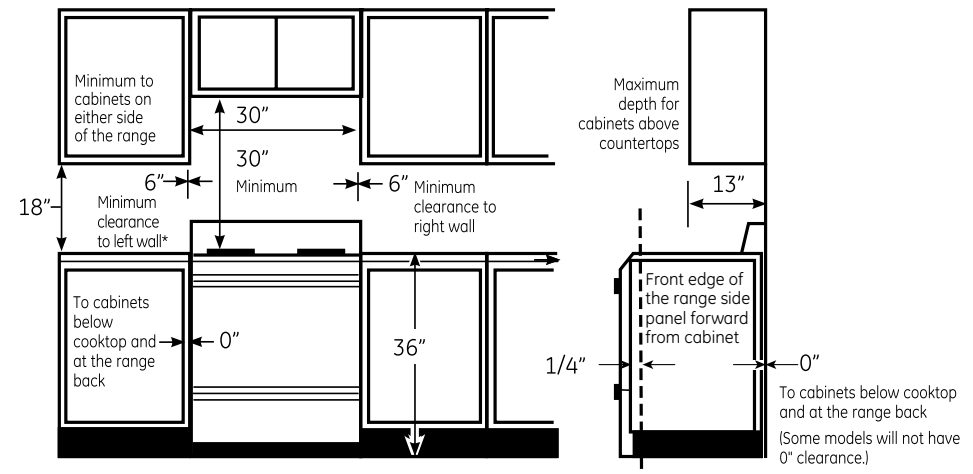
**Installation information:** Before installing, consult installation instructions packed with product for current dimensional data.



### GAS PIPE AND ELECTRICAL OUTLET LOCATIONS



**CAUTION** To prevent drafts from affecting burner operation, seal all openings in floor and wall.



For answers to your Monogram® or GE® appliance questions, visit our website at [geappliances.com](http://geappliances.com) or call GE Answer Center® service, 800.626.2000.



\*ADA qualified based on Uniform Federal Accessibility Standards



All GE ranges are equipped with an Anti-Tip device. The installation of this device is an important, required step in the installation of the range.

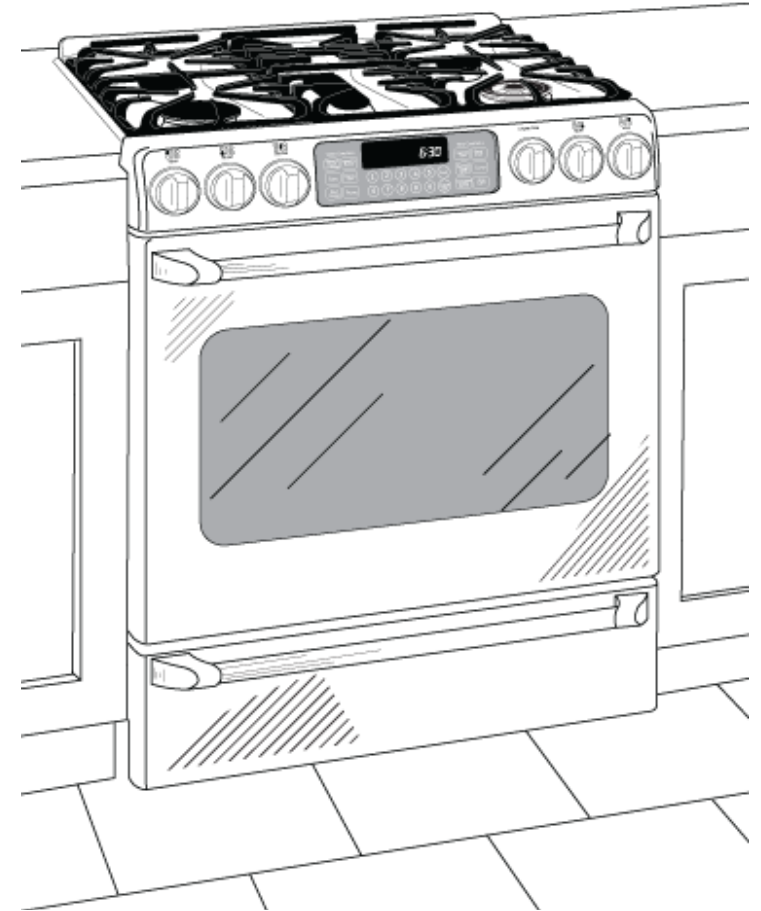


# CGS985SETSS

## Café™ Series 30" Free-Standing Range with Baking Drawer

### Features and Benefits

- Gas convection oven - Convection heating circulates the air to keep the heat consistent, enhancing the baking or roasting results
- 5.4 cu. ft. oven capacity - Enough room to cook an entire meal at once
- Baking drawer - Offers an additional 1.0 cu. ft. of capacity for convenient baking from 140° to 450°
- Self-Clean Oven - Conveniently cleans the oven cavity without the need for scrubbing
- Non-Stick Griddle - Provides a flat, non-stick surface for cooking and warming all types of foods
- 20,000 BTU tri-ring burner - Three-in-one burner is designed for accelerated boiling and gentle simmering
- Center oval burner - oval fifth burner in the center of the cooktop is large to accommodate odd-sized cookware or griddles
- Precise Simmer burner - Allows for low, even heat distribution that is ideal for delicate foods and sauces
- Black gloss oven interior - Black oven interior adds a stylish touch to any kitchen
- Model CGS958SETSS – Stainless steel



imagination at work