

BREDA

24" FRONT LOAD WASHING MACHINE



LUWM91400

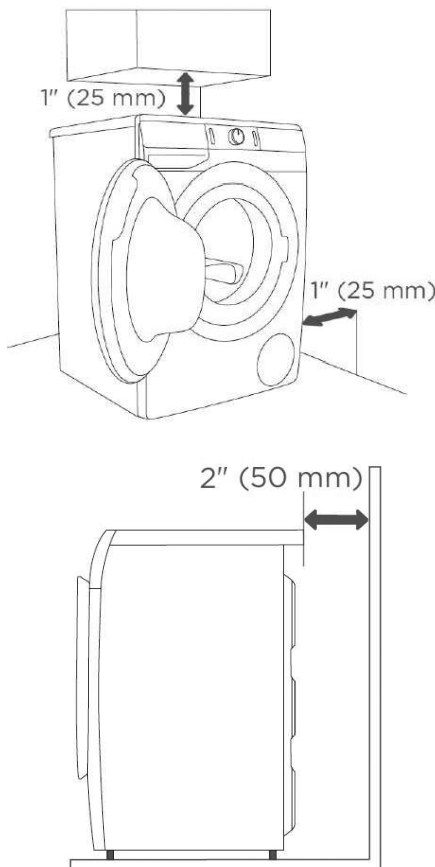


Features

- Stainless Steel Interior Tub
- 2.3 CuFt Capacity
- 19.8 Lbs Load Capacity
- Brushless DC Motor
- 220V Power Plug (Plugs into dryer)
- 14 Wash Programs
- 7 Auxiliary Functions
- Energy Star
- 2 Year Full Parts + Labor Warranty

Dimensions:

- Height: 33.5"
- Width: 23.5"
- Depth: 24" - Machine Depth
- 25.5" - Door Closed
- 44.5" - Door Open



FEATURES	
Capacity cu. ft.	2.3
Drum Material	Stainless Steel
Load Capacity	19.8 lbs / 9 kg
Controls	Electronic
Number of Programs	14 Programs: Auto Wash, Allergy Care, Down Wear, Active Wear, Cotton Dark, Cotton Colour, Cotton White, Mixed Fabric, Wool, Heavy Duty, Quick Wash, Spin+Drain, Rinsing & Sanitize Tub
Auxiliary Functions	EcoCare, TimeCare, EcoEye, Prewash, Water+, Temperature Setting & Spin
RPM	1400
Motor	Brushless
Time Delay	Yes
Child Lock	Yes
Adjustable Feet	Yes
TECHNICAL	
Energy Star Qualified	Yes
Energy consumption	100 kWh/year
RoHs compliant	Yes
Height	33 1/2" (850 mm)
Width	23 1/2" (600 mm)
Depth	24" (610 mm) - Machine Depth 25 1/2" (640 mm) - Door Closed 44 1/2" (1125 mm) - Door Open
Weight	172.8 lbs / 78 kg
Electrical connection:	Power Plug (Plugs into dryer)
Electric current supply	220-240 V / 60 Hz