

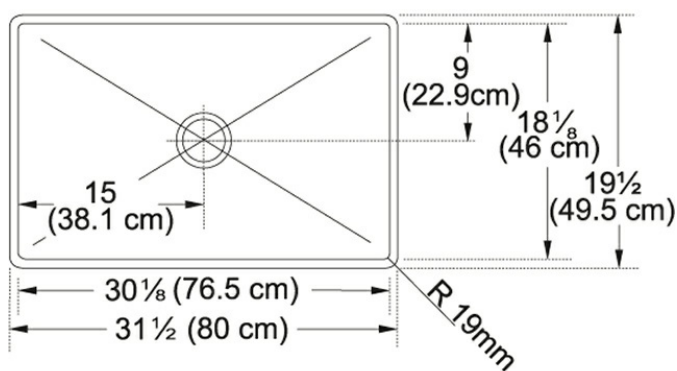
## Professional Series PSX110309 Stainless Steel

Professional Series sinks are undermounted for an immaculate countertop. If an authentic restaurant kitchen is your fancy, the Professional Series is the real thing. It is designed with sturdy commercial-grade stainless (16-gauge) and is deep enough to accommodate the bulky equipment used by the serious cook.

### Product Picture



### Technical Drawing



### Product Dimensions

Length overall	31 1/2"
Width overall	19 1/2"
Length of large bowl	30 1/8"
Width of large bowl	18 1/8"
Depth of large bowl	9"
Minimum Cabinet Size	36"

### General Information

Type of Material	16 Gauge Stainless Steel
Number of Bowls	1
Installation Clips	Yes
Cut-Out Template	Yes
Where to buy	Showroom

### Article Numbers

FUN#	122.0170.026
US Part Number	PSX110309

