



Whirlpool® Top Mount Refrigerator

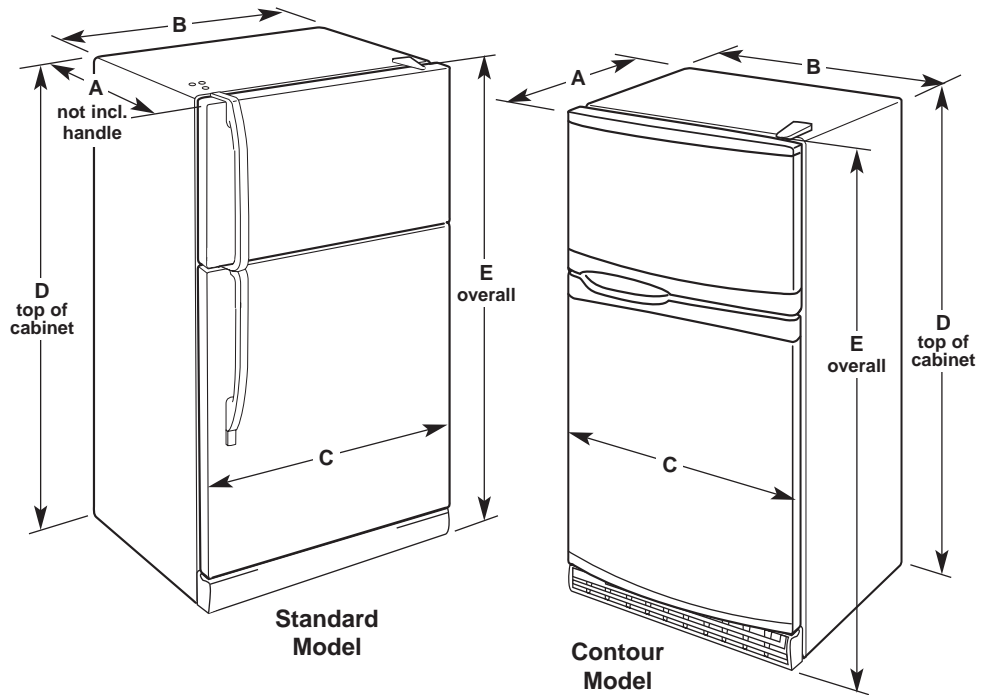
PRODUCT MODEL NUMBERS

ET1FHTXM
 ET9FHTXM
 GR2SHTXM
 GT1SHTXM

Electrical: A 115 Volt, 60 Hz., AC only 15 or 20 ampere fused, grounded electrical supply is required. It is recommended that a separate circuit serving only your refrigerator be provided. Use an outlet that cannot be turned off by a switch. Do not use an extension cord.

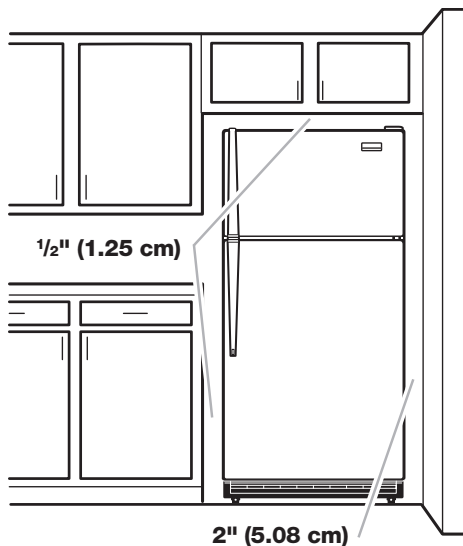
Water: Connect the ice maker to a cold water line with water pressure between 30 and 120 psi. If a reverse osmosis water filtration system is connected to your cold water supply, the water pressure to the system needs to be a minimum off 40 to 60 psi (276-414 kPa).

OVERALL DIMENSIONS



Model size	Depth "A"	Cab. Width "B"	Door Width "C"	Cab. Height "D"	Overall Height "E"
STANDARD MODELS					
19 cu.ft.	30 3/4"	29 1/2"	29 3/4"	65 1/2"	66 1/4"
21 cu.ft.	29 3/8"	32 1/2"	32 3/4"	65 1/2"	66 1/4"
CONTOUR MODELS					
22 cu.ft.	31 1/2"	32 1/2"	33 1/8"	65 1/2"	66 1/2"

LOCATION REQUIREMENTS



To ensure proper ventilation for your refrigerator, allow for 1/2 in. (1.25 cm) space on each side and at the top. (At the top, when using half depth cabinet, use top of cabinet height "D" dimension. When using full depth cabinet, use overall "E" dimension.) When installing your refrigerator next to a fixed wall, leave 2 in. (5.08 cm) minimum on each side (depending on your model) to allow for the door to swing open. If your refrigerator has an ice maker, allow extra space at the back for the water line connections.

NOTE: Do not install the refrigerator near an oven, radiator, or other heat source, nor in a location where the temperature will fall below 55°F (13°C).