

## SINK DESCRIPTION

- Manufactured of 20 gauge, type 301 nickel-bearing stainless steel
- The large bowl is a minimum of 21" wide by 16" and is 5-1/2" deep
- The sink ledge has four fixture mounting holes, 1-1/2" in diameter and 4" on center
- Has one 3-1/2" diameter recessed drain opening located right rear of bowl
- Is fully undercoated with a sound and temperature insulating material
- The exposed surfaces are polished to a lustrous satin tone finish
- Includes all necessary mounting hardware

## CUT OUT DIMENSIONS

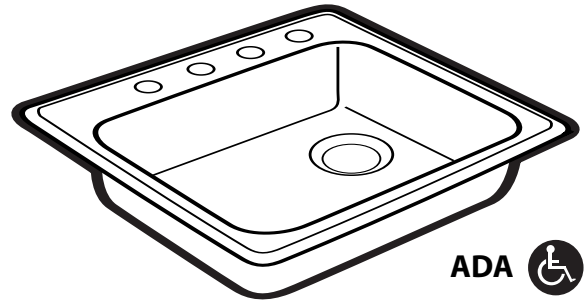
- Cut out dimensions are 24-3/8" x 21-3/8", with a 3/8" corner radius. A tolerance of plus or minus 1/16" is acceptable

## STANDARDS

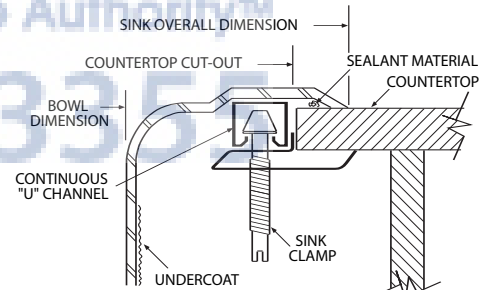
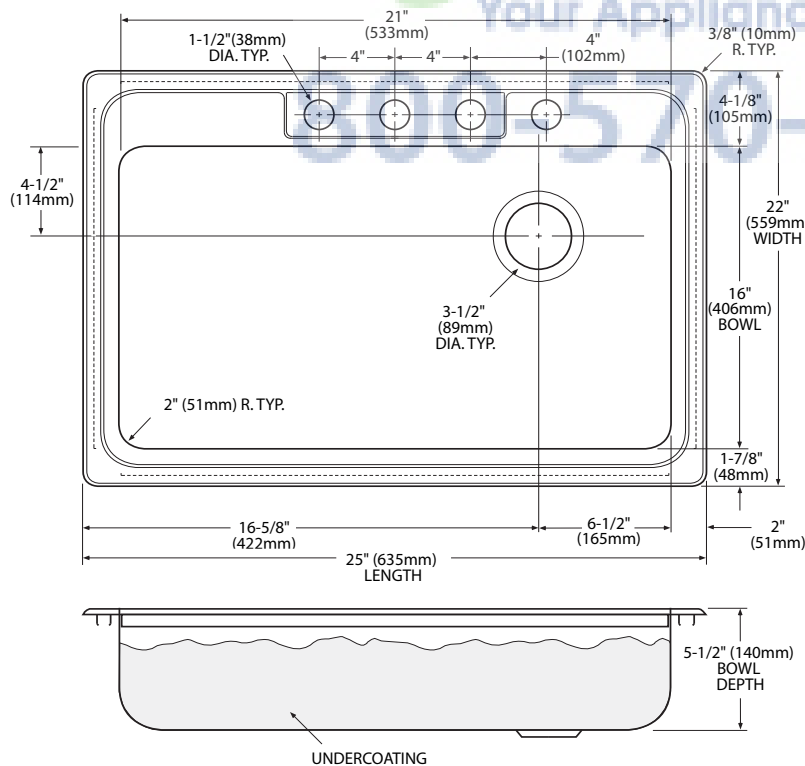
- Third party certified by IAPMO to meet ASME A112.19.3M, ANSI A117.1 and all applicable specifications referenced therein

## WARRANTY

- Warranted for 5 years against material or manufacturing defects



**Single Bowl Kitchen Sink**  
**Model: 22131**  
**(C-2522-4-HR)**



**Installation Detail**

## CRITICAL DIMENSIONS

(DO NOT SCALE)