

C2S980SEMSS

GE Café™ 30" Free-Standing Dual-Fuel Range with Baking Drawer

Dimensions and Installation Information (in inches)

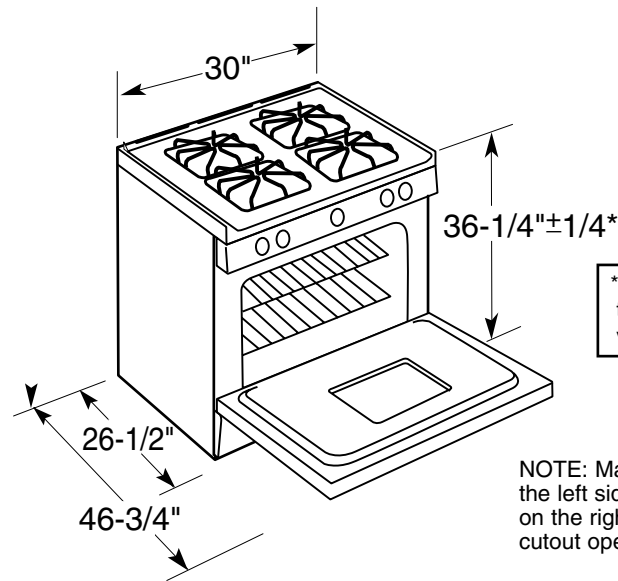
Electrical Requirements: 240v/208v; 60Hz, 40A

Effective January 1, 1996, the National Electrical Code requires that new construction (not existing) utilize a 4-conductor connection to an electric range.

Receptacle Locations: Locally approved flexible service cord or conduit must be used because terminals are not accessible after range installation. See shaded area in drawing for location of electrical outlet box. Recommended outlet locations allow range to be installed directly against wall.

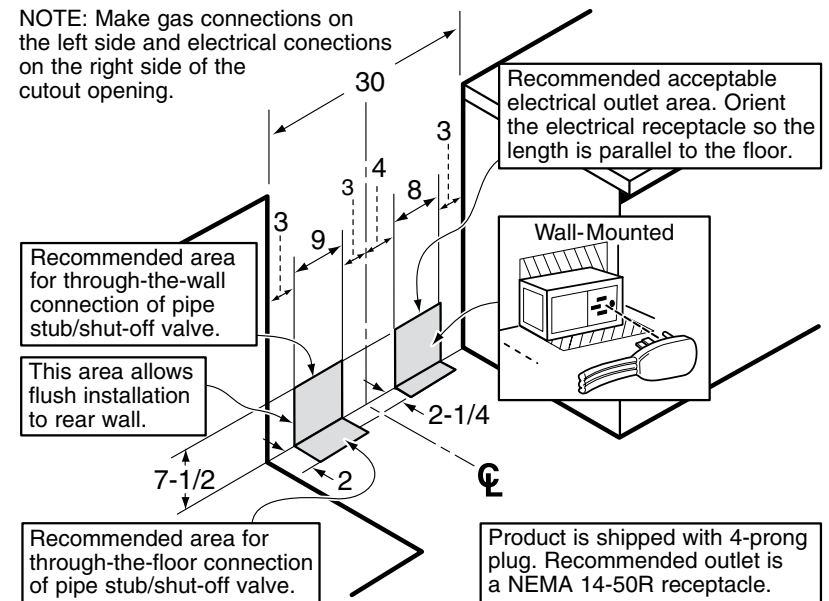
Note: 30" ranges conform to U.L. requirements for 0" spacing from adjacent walls below countertops. To reduce possibility of scorching walls, engineering recommends a minimum of 1-1/2" spacing to allow for possible extended, high-heat, no-load heating element operation.

Installation information: Before installing, consult installation instructions packed with product for current dimensional data.



*Dimension from floor to top of the cooktop. Floor to top of rear vent trim is 37-1/4"

NOTE: Make gas connections on the left side and electrical connections on the right side of the cutout opening.



For answers to your Monogram®, GE Profile™ or GE® appliance questions, visit our website at geappliances.com or call GE Answer Center® service, 800.626.2000.



All GE ranges are equipped with an Anti-Tip device. The installation of this device is an important, required step in the installation of the range.

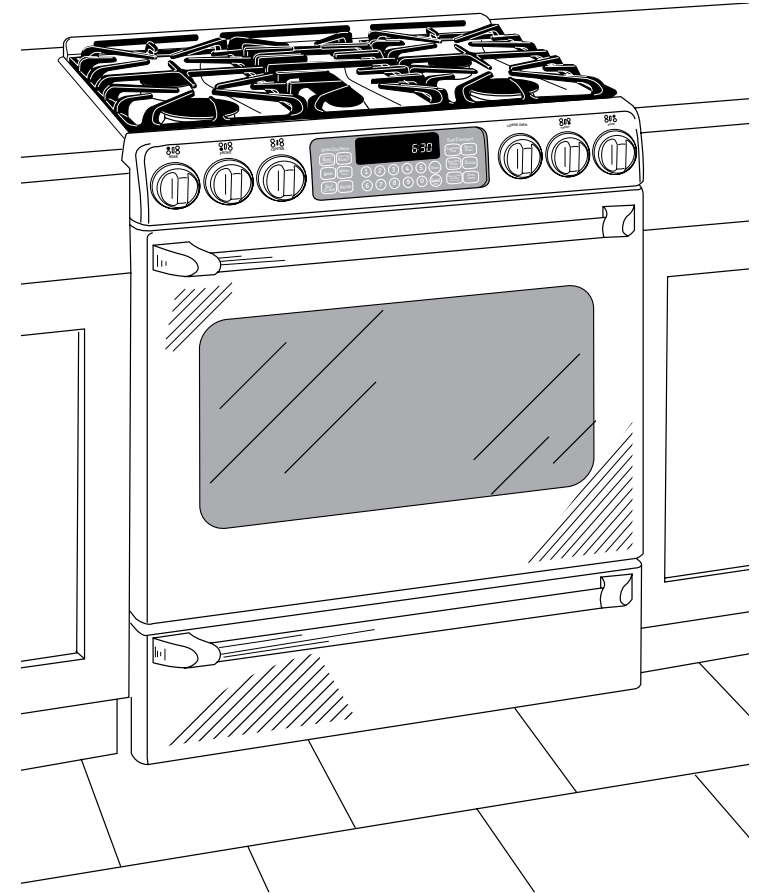


C2S980SEMSS

GE Café™ 30" Free-Standing Dual-Fuel Range with Baking Drawer

Features and Benefits

- PreciseAir™ Convection System - Delivers even air and heat circulation for superior baking and roasting results
- Super Large Oven Capacity - Provides a large oven interior ideal for cooking more items at once
- Self-Clean Oven - Conveniently cleans the oven cavity without need of scrubbing
- Deep-Recessed Cooktop - Designed with a recessed surface to help contain spills and make cleaning easy
- PowerBoil™ 17,000 BTU Burner - Delivers 17,000 BTUs of forceful heat for rapid boiling
- High Output Burner - Provides a powerful burner output for efficient heat-up and boiling
- Center Oval Burner - Adds a fifth element to the center of the cooktop to accommodate large cookware and deliver ideal results
- Baking Drawer - Offers an additional 1.0 cu. ft. of capacity for convenient baking from 140 degrees to 450 degrees
- Model C2S980SEMSS – Stainless steel



imagination at work